



71-100 Series

Bronze Ball Valve With Mounting Pad

Threaded, 600 psig WOG, Cold Non-Shock. 150 psig Saturated Steam. (See referenced P/T chart)

Vacuum Service to 29 inches Hg.

Federal Specification: WW-V-35C, Type: II, Composition: BZ, Style: 3.

MSS SP-110; Ball Valves, Threaded, Socket-Welding, Solder Joint, Grooved and Flared Ends

FEATURES

- Two-piece body
- Reinforced seats
- Mounting pad for easy actuator mounting
- Blow-out-proof stem design
- Adjustable packing gland

STANDARD MATERIAL LIST

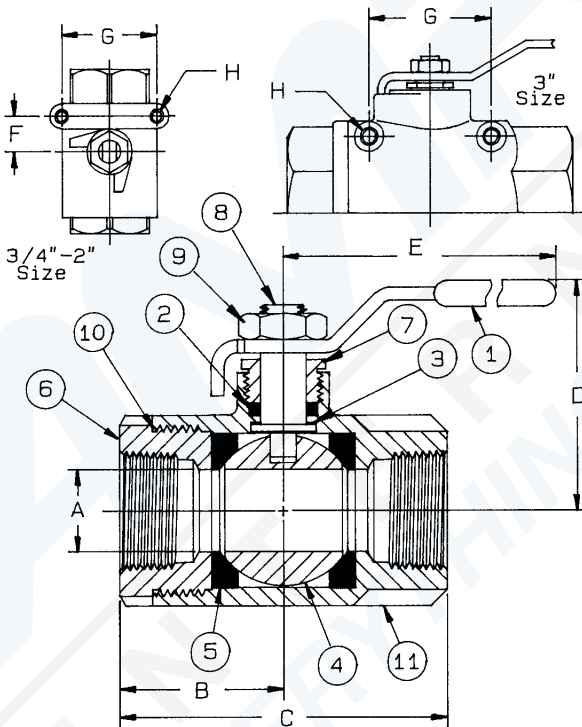
1. Lever and grip	Steel, zinc plated w/vinyl	9. Lever nut	Steel, zinc plated
2. Stem packing	MPTFE	10. Body seal	PTFE
3. Stem bearing	RPTFE	(1-1/4" to 3")	
4. Ball	B16, chrome plated	11. Body	B584-C84400
5. Seat (2)	RPTFE		
6. Retainer	B16 (3/4" to 1")		
	B584-C84400 (1-1/4" to 3")		
7. Gland nut	B16		
8. Stem	B16		

VARIATIONS AVAILABLE:

- 71-140 Series (316 SS Ball & Stem)
- 71-190 Series (Locked Retainer)

OPTIONS AVAILABLE:

(SUFFIX)	OPTION	SIZES
-02-	Stem Grounded	3/4" to 3"
-03-	1-1/4" CS Stem Extension	3/4" to 3"
-04-	2-1/4" CS Stem Extension	3/4" to 3"
-05-	Plain Ball	3/4" to 3"
-07-	Steel Tee Handle	3/4" to 2"
-08-	90° Reversed Stem	3/4" to 3"
-10-	SS Lever & Nut	3/4" to 3"
-11-	Therma-Seal™ Insulating Tee Handle	3/4" to 2"
-14-	Side Vented Ball (Uni-Directional)	3/4" to 3"
-15-	Wheel Handle, Steel	3/4" to 2"
-16-	Chain Lever - Vertical	3/4" to 2"
-21-	UHMWPE Trim (Non-PTFE)	3/4" to 3"
-24-	Graphite Packing	3/4" to 3"
-27-	SS Latch-Lock Lever & Nut	3/4" to 3"
-30-	Cam-Lock and Grounded	3/4" to 2"
-32-	SS Tee Handle & Nut	3/4" to 2"
-35-	VTFE Trim	3/4" to 3"
-39-	SS Hi-Rise Locking Wheel Handle, SS Nut	3/4" to 2"
-40-	Cyl-Loc and Grounded	3/4" to 2"
-41-	Automatic Drain (Bronze Valves Only)	3/4" to 2"
	see page J-8	
-45-	Less Lever & Nut	3/4" to 3"
-46-	Latch Lock Lever - Lock in Closed Position Only	3/4" to 3"
-47-	SS Oval Latch-Lock Handle & Nut	3/4" to 1"
-48-	SS Oval Handle (No Latch) & Nut	3/4" to 2"
-49-	Assembled Dry	3/4" to 3"
-50-	2-1/4" CS Locking Stem Extension	3/4" to 3"
-56-	Multifill Seats & Packing	3/4" to 3"
-57-	Oxygen Cleaned	3/4" to 3"
-58-	Chain Lever - Horizontal	3/4" to 2"
-60-	Static Grounded Ball & Stem	3/4" to 3"
-64-	250# Steam Trim	3/4" to 3"
-92-	Balancing Stop	3/4" to 3"
-P01-	BSPF (Parallel) Thread Connection	3/4" to 3"
-T01-	BSPT (Tapered) Thread Connection	3/4" to 3"



BRONZE BALL VALVE WITH MOUNTING PAD

NUMBER	SIZE	A	B	C	D	E	F	G	H	Wt.
71-104-01	3/4"	.68	1.50	3.00	2.12	4.87	.87	1.37	10-24 NC	1.63
71-105-01	1"	.87	1.68	3.37	2.25	4.87	.87	1.37	10-24 NC	1.86
71-106-01	1-1/4"	1.00	2.00	4.00	2.62	5.50	.93	1.50	1/4-20 NC	3.39
71-107-01	1-1/2"	1.25	2.18	4.37	2.87	8.00	.93	1.50	1/4-20 NC	4.68
71-108-01	2"	1.50	2.34	4.68	3.06	8.00	.93	1.50	1/4-20 NC	5.72
71-100-01	3"	2.50	3.37	6.75	4.12	8.00	N/A	2.75	1/4-20 NC	18.60

*See 77-140 Series Full Port for 1/4", 3/8", 1/2" and 2-1/2" Sizes

**For Pressure/Temperature Ratings,
Refer to Page M-8, Graph No. 4**

FLOW DATA

For Apollo® Ball Valves

The listed Cv "factors" are derived from actual flow testing, in the Apollo® Ball Valve Division, Conbraco Industries, Inc., Pageland, South Carolina. These tests were completed using standard "off the shelf" valves with no special preparation and utilizing standard schedule 40 pipe. It should be understood that these factors are for the valve only and also include the connection configuration. The flow testing is done utilizing water as a fluid media and is a direct statement of the gallons of water flowed per minute with a 1 psig pressure differential across the valve/connection unit. Line pressure is not a factor. Because the Cv is a factor, the formula can be used to estimate flow of most media for valve sizing.

Flow of Liquid

$$Q = Cv \sqrt{\frac{\Delta P}{SpGr}}$$

$$\text{or } \Delta P = \frac{(Q)^2 (SpGr)}{(Cv)^2}$$

Where:

Q = flow in US gpm
 ΔP = pressure drop (psig)
 SpGr = specific gravity at flowing temperature
 Cv = valve constant

Flow of Gas

$$Q = 1360 Cv \sqrt{\frac{(\Delta P) (P_1)}{(SpGr) (T)}}$$

$$\text{or } \Delta P = \frac{5.4 \times 10^{-7} (SpGr) (T) (Q)^2}{(Cv)^2 (P_2)}$$

Where:

Q = flow in SCFH
 ΔP = pressure drop (psig)
 SpGr = specific gravity (based on air = 1.0)
 P₁ = outlet pressure-psia (psig + 14.7)
 T = (temp. °F + 460)
 Cv = valve constant

Cv FACTORS SERIES:

70-100, 71-100, 71AR, 73A-100,
 74-100, 76-100, 76AR, 80-100
 81-100, 89-100

SIZE	1/4"	3/8"	1/2"	3/4"	1"	1-1/4"	1-1/2"	2"	2-1/2"	3"	4"
OPEN 90°	8.4	7.2	15	30	43	48	84	108	503	370	670

Cv FACTORS

76F, 77, 77AR, 77C, 77D SERIES

SIZE	1/4"	3/8"	1/2"	3/4"	1"	1-1/4"	1-1/2"	2"	2-1/2"
OPEN 90°	8.1	15	15	51	68	125	177	389	503

Cv FACTORS

82-100/200, 83R-100/200/700, 85R-100/200, 86R-100/200/700, 83-500/600, 86-500/600/900 SERIES

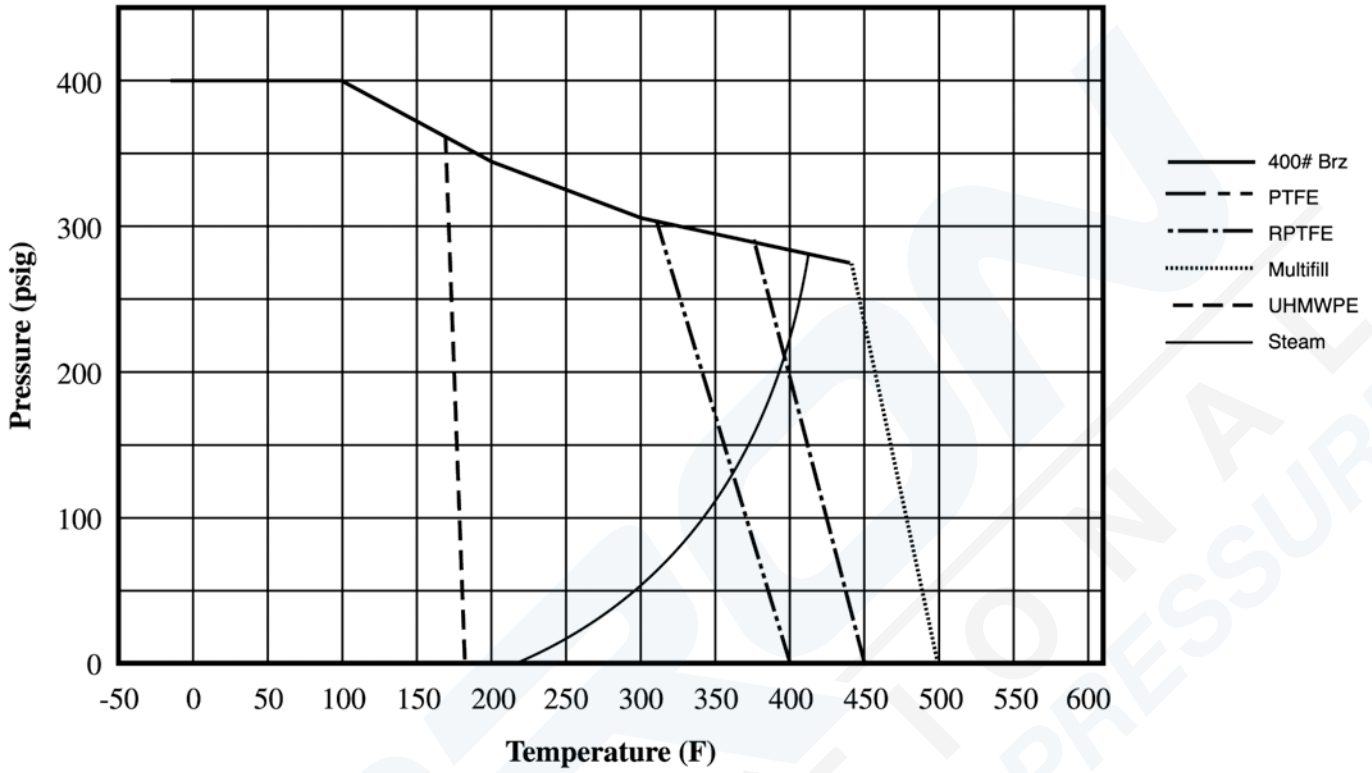
SIZE	1/4"	3/8"	1/2"	3/4"	1"	1-1/4"	1-1/2"	2"	2-1/2"	3"	4"
OPEN 90°	8.1	14	26	51	68	120	170	376	510	996	1893

Cv FACTORS

83A/83B, 86A/86B, 86C SERIES

SIZE	1/4"	3/8"	1/2"	3/4"	1"	1-1/4"	1-1/2"	2"
OPEN 90°	8.1	14	26	51	68	120	170	376

400# Bronze P-T Rating (Graph 3)



600# Bronze P-T Rating (Graph 4)

