

PRESSURE REDUCING REGULATORS

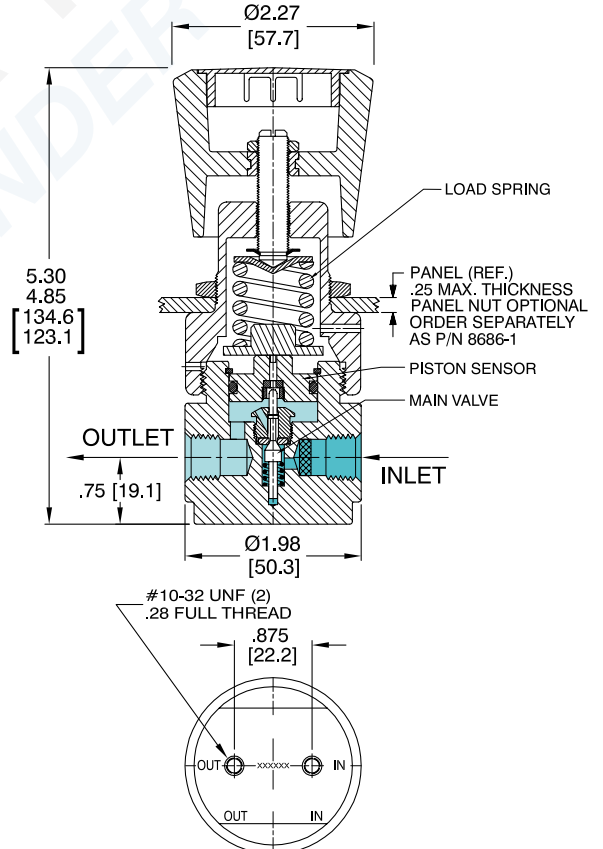
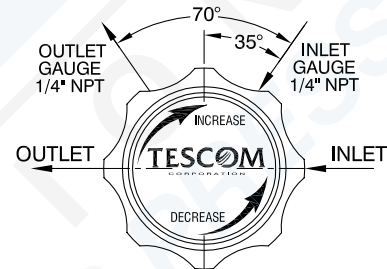
Self Venting Pressure Reducing Regulator

44-5200

Features

- Compact and economical
- For gas or liquid service
- Piston sensed for high reliability and long service life
- Standard version includes 1/4 in. NPT gauge ports
- Brass or Stainless Steel construction
- Adjustable stop limits maximum outlet pressure
- 6000 PSIG inlet available

Specifications	
Operating Parameters	
Pressure rating per criteria of ANSI/ASME B31.3	
Maximum Rated Inlet Pressure	400 and 3500 PSIG
Outlet Pressure Ranges	25, 50, 100, 250, 500 and 600 PSIG
Design Proof Pressure	150% of Maximum Rated Pressure
Operating Temperature	-15° F to +200° F (-26° C to +93° C)
Flow Capacity	Cv = .06 and .15
Maximum Operating Torque	30 lbs in. (3.4 Nm)
Media Contact Materials	
Body	316 Stainless Steel or Brass
Bonnet	300 Series Stainless Steel or Brass
Piston	316 Stainless Steel or Brass
Seats	VespeI®
O-ring	Viton®
Filter (40 micron)	316 Stainless Steel
Remaining Parts	300 Series Stainless Steel and Brass
For other materials and modifications, please consult Amron International	
Cleaning	CGA 4.1 and ASTM G93
Connections	1/4 in. NPT inlet, Outlet and Gauge Ports
Weight (without gauges)	2 lbs (.91 kg)
Pressure Conversion	14.5 PSIG = 1 bar 145 PSIG = 1 MPa



Part No. 44-52 1 5-2 4 3 V

Basic Series 44 - 52	Optional Self-venting V Self-venting
Body Material 1 Brass 6 316 Stainless Steel	Inlet Pressure 1 3500 PSIG Cv = .06 2 400 PSIG Cv = .15 3 3500 PSIG Cv = .15
Outlet Pressure 0 1-25 PSIG 1 1-50 PSIG 2 2-100 PSIG 3 2-250 PSIG 5 5-500 PSIG 6 5-600 PSIG	Flow Capacity Cv = .06 Cv = .15 Cv = .15
	Port Size 4 1/4 in.
	Inlet and Outlet Port Type 2 NPT

Accessories		
Part No.	Standard Repair Kit	Soft Goods Kit
44-5212-243V	389-6905	389-6904

All dimensions are reference and nominal. Metric (millimeter) equivalent are in brackets.

REGULATORS & VALVES TESCO