



P/N 45101160 • Rev. - 12/2024 • Artbook.net 21020/24



Declarations of Conformity on:
 Prohlášení o shodě na stránkách:
 Overensstemmelseserklæringer på:
 Konformitätserklärung auf:
 Declaraciones de conformidad en:
 Déclarations de conformité sur :
 Izjave o skladnosti na:
 Pernyataan Kesesuaian pada:
 Dichiarazioni di Conformità su:
 Megfelelőségi nyilatkozatok itt:w
 Conformiteitsverklaringen op:
 Deklaracija zgodności się:
 Declarações de Conformidade estão disponíveis em:
 Declarații de Conformitate pe:
 Izjave o skladnosti za:
 Vyhlášení o zhode nájdete na stránkach:
 Vaatimustenmukaisuusvakuutukset:
 Försäkran om överensstämmelse finns på:
 Uygunluk Beyanı:
 Δήλώσεις πιστότητας για:
 Декларация Соответствия:
 符合性声明:
 適合宣言日:
 적합성 선언문 대상:
 Декларация за съответствие на:
 Atbilstības deklarācijas par:w
 Atitiktības deklaracija, skirti:
 إقرارات الامتثال عن:

scubapro.com



DECLARATIONS OF CONFORMITY



FULL-FACE MASK FM2 MANUAL

DEEP
DOWN
YOU
WANT
THE
BEST

SCUBAPRO.COM

SUBSIDIARIES

SCUBAPRO AMERICAS

Johnson Outdoors Diving LLC
1166-A Fesler Street
El Cajon, CA 92020 - USA

SCUBAPRO ASIA PACIFIC

608 Block B, M.P.Industrial Centre
18 Ka Yip Street, Chaiwan
Hong Kong

SCUBAPRO AUSTRALIA

Unit 21 380 Eastern Valley Way
Chatswood NSW 2067-
Australia

SCUBAPRO FRANCE

Nova Antipolis Les Terriers Nord
175 Allée Belle Vue
06600 Antibes - France

SCUBAPRO GERMANY & E. Europe

Johnson Outdoors
Vertriebsgesellschaft mbH
Bremer Straße 4
90451 Nuremberg
GERMANY

SCUBAPRO SWITZERLAND

Bodenackerstrasse 3
CH-8957 Spreitenbach
Switzerland

SCUBAPRO UK

REPAIR HUT LIMITED
27 Southport Road, Chorley,
Lancashire, PR7 1LF, U.K.

For additional information about our distributors and dealers, see our web site at: www.scubapro.com

© 2008 by Johnson Outdoors Inc.

1. IMPORTANT WARNINGS

WARNING

This manual must be read and understood entirely before using the product. It is advised that you keep this manual in your possession during the entire life of your product.

WARNING

When diving you must follow the rules and apply the skills taught by a recognized scuba diving certification agency. Before taking part in any diving activity, it is mandatory to have successfully completed a scuba diving course covering both theoretical and technical aspects of diving with a full-face mask.

WARNING

This instruction manual does not replace a diving instruction course.

WARNING

For details on the features, use, care and maintenance of the MK25EVO/S620Ti regulator refer to the SCUBAPRO regulators manual.

2. EUROPEAN CERTIFICATION

The FM2 facepiece and MK25EVO/S620Ti regulator together constitute the FM2/MK25EVO/S620Ti full-face mask.

The SCUBAPRO FM2/MK25EVO/S620Ti full-face mask has obtained the European certification according to European rules regulating the conditions for the placing on the market and fundamental safety requirements for third-category Personal Protective Equipment (PPE). The certification was issued by the RINA notified body, with the use of the only SCUBAPRO regulator models included in this manual.

Certification tests have been conducted according to the EN250:2014 harmonized standard to ensure compliance with fundamental requirements for health and safety set by European regulation 2016/425/EU.

The CE and EN250 marks on the product denote compliance with said requirements.

The number 0474 is the identification number for RINA Via Corsica, 12, 16128 Genova (GE) Italy, the notified body assessing compliance and controlling production, as per Modules B and D, 2016/425/EU. The 232bar and 300bar marking on the first stage indicates the maximum supply pressure of the PPE.

The Manufacturer of SCUBAPRO FM2/MK25EVO/S620Ti is SCUBAPRO EUROPE s.r.l., Via Tangoni 16, 16030 Casarza Ligure (GE) Italy. SCUBAPRO EUROPE s.r.l. has a quality management system certified by RINA in accordance with the ISO9001:2015 standard.

2.1 EN 250:2014 standard - meaning and requirements

The requirements and tests defined by the EN 250:2014 standard are intended to guarantee a minimum level of safety for the operation of underwater breathing apparatus. In Europe, the EN 250:2014 standard defines the minimum technical requirements that SCUBA must comply with, and is the most recent revision of the EN250 standard.

2.2 Limitations provided by EN250:2014

The SCUBA unit can be comprised of separate components such as: cylinder(s), regulator(s), pressure gauge, and facepiece.

Use of the SCUBA unit is limited to underwater diving.

The FM2/MK25EVO/S620Ti full-face mask is composed of a facepiece integrated with a regulator and is therefore PPE that protects the eyes from contact with water and the respiratory tracts subjected to the effect of pressure, supplying breathable air under the necessary usage conditions during the dive.

The FM2/MK25EVO/S620Ti can be used with SCUBA components units certified according to regulation EU 2016/425 and the EN 250:2014 standard. The air contained in the cylinders must be compliant with the requirements for breathable air set forth in standard EN 12021. The certification depth is 50 meters (164 ft). In any event, divers must always abide by the limits set by local regulations in the dive location.

IMPORTANT

European certification of the FM2/MK25EVO/S620Ti PPE refers to the complete product consisting of:

- 1) A SCUBAPRO FM2 facepiece.
- 2) A S620Ti second stage frontally assembled on the FM2 facepiece and connected to a single MK25EVO first stage.

⚠ WARNING

The FM2 facepiece is only certified with the models of regulators specified in this manual, with which the European certification tests has been carried out, in accordance with the EN250:2014 standard. The use of FM2 with other regulators is outside the scope of the certification.

⚠ WARNING

Any change to the FM2/MK25EVO/S620Ti configuration that is not included in the certified European configuration as described in this manual, including for instance the low-pressure hose supplied with the regulator, results in the loss of conformity with the European certification standard.

The maximum operating pressure depends on the connection of the MK25 EVO/S620Ti regulator used: 300 bar for the DIN connection and 232 bar for the INT connection, according to the marking on the first stage.

Refer to the SCUBAPRO regulators manual for further technical details and information on the regulator.

FM2/MK25EVO/S620Ti is certified for use in cold water, i.e. temperatures below 10°C (50°F).

2.2.1 OCTOPUS (Emergency Auxiliary Breathing Device)

The octopus is usually considered an auxiliary emergency second stage to be used by the diver in case of need (such as malfunction of the primary second stage).

⚠ WARNING

Only SCUBA complying with the EN250:2014 standard with a regulator marked "EN250A" or "EN250A>10°C" may be used as a rescue device by more than one diver at the same time.

⚠ WARNING

If the SCUBA is configured for and used by more than one diver at the same time, then it shall not be used at depths greater than 30 meters and in water temperature less than 4°C if marked "EN250A", and less than 10°C if marked "EN250A>10°C".

The EN250A marking can be found on the first and second stages of the MK25EVO/S620Ti regulator. The FM2 facepiece is marked EN250.

2.3 Important notes

For your protection while using SCUBAPRO life support equipment, we call your attention to the following:

1. Use the equipment according to the instructions contained in this manual and only after having completely read and understood all instructions and warnings.
2. Use of the equipment is limited to the uses described in this manual or for applications approved in writing by SCUBAPRO.
3. Cylinders must only be filled with atmospheric compressed air, according to the EN 12021 standard. Should moisture be present in the cylinder, beside causing corrosion of the cylinder, it may cause freezing and subsequent malfunction of the regulator during dives carried out in low temperature conditions (lower than 10°C (50°F)). Cylinders must be transported according to local rules provided for the transport of dangerous goods. Cylinder use is subject to the laws regulating the use of gases and compressed air.
4. The equipment must be overhauled by an authorized SCUBAPRO technician with the prescribed frequency. Overhauls must be documented. When making repairs and during maintenance, only SCUBAPRO replacement parts must be used.
5. Should the equipment be serviced or repaired without complying with procedures approved by SCUBAPRO or by untrained personnel or not certified by SCUBAPRO, or should it be used in ways and for purposes other than specifically designated, liability for the correct and safe function of the equipment transfers to the owner/user.
6. Breathing must be continuous, without holding one's breath.
7. All dives must be planned and carried out so that at the end of the dive the diver will still have a reasonable reserve of air for emergency use. The suggested amount is usually 50 bars (725 psi).

8. If the SCUBA equipment will be used in cold water (temperature lower than 10°C (50°F)) it will be necessary to use a regulator suited for such temperatures.

⚠ WARNING

Diving in cold water requires special equipment and techniques. Before diving in cold water, we strongly recommend you obtain adequate training from a recognized training agency.

9. The content of this manual is based upon the latest information available at the time of going to print. SCUBAPRO reserves the right to make changes at any time.

SCUBAPRO refuses all responsibility for damages caused by non-compliance with the instructions contained in this manual. These instructions do not extend the warranty or the responsibilities stated by SCUBAPRO terms of sale and delivery.

In order to maintain the warranty, maintenance must be performed by a qualified SCUBAPRO technician, and maintenance records must be kept. For details, contact an authorized SCUBAPRO dealer.

3. GENERAL CHARACTERISTICS

⚠ WARNING

Only the MK25EVO/S620Ti regulator combination is certified for assembly and use on the FM2 facepiece.

The only configurations of MK25EVO/S620Ti certified with FM2 are exclusively those featuring SCUBAPRO standard 75cm hoses, without accessory swivels or elbows.

The air intake valve for periods on the surface (figure 1-B) allows, by opening the valve, to avoid air supply consumption useful for the dive: simply close the air intake valve for surface time to start breathing from the second stage and start the dive.

The FM2 facepiece has a water drain valve under the chin, for particularly effective and natural water drainage. The original and certified configuration is equipped with a drain valve protection tube (figure 1-C).

This pipe prevents free flow from the second stage during the dive, caused by the difference in hydrostatic pressure generated, under certain conditions, by the relative position of the air source.

⚠ WARNING

Removing the water drain valve protection pipe constitutes a change to the certified configuration and implies the loss of compliance with the European certification standard.

The FM2 facepiece has connections for assembling accessories, including the SCUBAPRO HUD dive computer (kits for assembling accessories are available separately).

For details on features and use, refer to the USE section

4. USE

4.1 Preparation for diving – important warnings before use

On the front part of the mask can be found the connection designed to house the second stage.

The group of components necessary to connect the second stage is already assembled on this connection (figures 1 and 2).

This group, screwed onto the body (D), is composed of a ring (A), washer (E), spacer (G) and rubber sleeve (F).

To assemble the second stage, proceed as follows.

Remove the mouthpiece from the second stage after opening the strap that holds it in place.

Unscrew the ring (A) completely, keeping the three components, ring (A), spacer (G) and sleeve (F) pre-assembled as in figure 3.1, while the washer (E) remains in position on the body (D).

Make sure that the washer (E) is assembled so that the two sealing ribs are facing the rubber of the skirt (enlargement 2.1).

Insert the second stage inside the rubber sleeve (F).

Then use the supplied strap (H) to secure the second stage in the rubber sleeve into which the second stage is inserted, making sure to tighten adequately.

Assemble the whole unit back on the facepiece, screwing the ring (A) and tightening it all the way so as to guarantee the safe connection of the whole assembly (figure 4), making sure that the body does not rotate while screwing, checking that the small triangle visible on the back of the body (D) remains facing upwards as in figure 3.2.

⚠ WARNING

When carrying out preliminary assembly operations, always check that you have correctly tightened the second stage connection group and the supplied strap that holds the second stage itself. Failure or incorrect tightening can be very dangerous during the dive and cause accidents and injuries, even fatal.

If the lens starts fogging, use the SCUBAPRO antifog solution (P/N 24.090.000) on the inner surface, then rinse the mask thoroughly in the water (repeat this operation three times if the mask is new). Never use solvents or cleaners such as alcohol, etc.. If needed, use only liquid soap.

⚠ WARNING

It is recommended to put on the equipment and full-face mask on the surface before diving.

4.2 Diving

Before putting on the FM2/MK25EVO/S620Ti, examine it to ensure that all parts are in optimal condition for a dive.

Check all buckles, straps, second-stage attachment, frame and facepiece.

Fit the mask and check for fogging and that you are able to equalize.

⚠ WARNING

Do not dive unless you have first checked the good condition and correct functioning of the equipment and FM2/MK25EVO/S620Ti.

If you notice any defects, damage or tampering, contact a SCUBAPRO Authorized service technician immediately.

⚠ WARNING

Do not jump in the water face down or drop the mask against any sharp object: the high impact can cause breakage of the lenses causing injuries to the user.

Once the preliminary checks have been carried out, wear the FM2/MK25EVO/S620Ti mask by adjusting the five ends of the straps and tighten the five straps individually by simply pulling each end little by little, until reaching the optimal adjustment of the mask on your face. (figure 5.1)

To facilitate adjustment you can temporarily remove the ends of the straps from their loops.

To loosen or remove the mask, slightly lift the buckle tabs while pulling the corresponding lower straps (figure 5.2).

⚠ WARNING

Beyond 2 meters (6 feet) depth, in free dive, the pressure pushes the mask against the face. When used in a certified configuration it is sufficient to breathe normally to avoid problems.

⚠ WARNING

To avoid the dangerous condition of a crushed eardrum while diving, pinch your nose with your fingers and blow with your mouth closed to push air into the inside of the eardrum wall.

During stops on the surface you can use the surface air intake valve provided on the mask by unscrewing the threaded plug (figure 1-B) to breathe atmospheric air without using air from the cylinders.

Before diving, screw the plug back completely to seal the mask again.

⚠ WARNING

Before diving, make sure that the air intake valve for surface use is closed and the mask is sealed to prevent water from entering and flooding the mask.

⚠ WARNING

SCUBAPRO recommends always having a backup bailout system available: whole regulator with first and second stages not connected to the FM2/MK25EVO/S620Ti mask etc.

SCUBAPRO also recommends carrying a spare mask with you.

⚠ WARNING

It is not possible to take off the FM2 and put it back on while diving. If it is necessary to remove the FM2 underwater, do not put it back on. Use a spare mask and regulators and start ascending immediately.

5. CARE WHEN NOT IN USE

Rinse the mask thoroughly with fresh water after each dive, especially if carried out in chlorinated water.

⚠ WARNING

Particularly if FM2/MK25EVO/S620Ti has been used in contaminated water, be sure to rinse and clean it thoroughly.

5.1 Disinfection

SCUBAPRO recommends McNett Revivex Cleaner. Use according to the procedure and dilution described on its packaging.

⚠ WARNING

Do not use solvents or detergents such as alcohol, etc.

5.2 Storage

Leave to dry in a cool place away from sunlight, positioning it so that the water drains.

Once dried, store the mask away from sunlight in a dry place at room temperature.

TEMPERATURE LIMITS -10°C / 60°C

6. MAINTENANCE

Operations beyond the ones described in this manual must not be carried out by the user, but by a qualified and authorized SCUBAPRO technician.

The FM2 facepiece must be serviced by an authorized SCUBAPRO technician every 2 years. The overhaul is mandatory to preserve the warranty. For maintenance related to regulators, refer to SCUBAPRO regulators manual.

Please refer to the Johnson Outdoors warranty conditions. Servicing is available through SCUBAPRO Authorized dealers identified by the SELECTED DEALER SCUBAPRO sign or by visiting www.scubapro.com.

1. DŮLEŽITÁ VAROVÁNÍ

VAROVÁNÍ

Než začnete výrobek používat, důkladně si prostudujte celou příručku. Doporučujeme, abyste si příručku uchovali po celou dobu životnosti vašeho výrobku.

VAROVÁNÍ

Při potápění musíte dodržovat pravidla a využívat znalosti a dovednosti, které jste získali u kvalifikované potápěčské organizace. Před účastí na jakékoli potápěčské aktivitě jste povinni úspěšně absolvovat kurs potápění pokrývající jak teoretické, tak i technické aspekty potápění s celoobličejovou maskou

VAROVÁNÍ

Tato instruktážní příručka nenahrazuje potápěčský kurs!

VAROVÁNÍ

Podrobnosti o funkcích, použití, péči a údržbě regulátoru MK25EVO/S620Ti najdete v příručce k regulátorům SCUBAPRO.

2. EVROPSKÁ CERTIFIKACE

Obličejová maska FM2 a regulátor MK25EVO/S620Ti společně tvoří celoobličejovou masku FM2/MK25EVO/S620Ti.

Celoobličejová maska SCUBAPRO FM2/MK25EVO/S620Ti získala evropskou certifikaci podle evropských předpisů upravujících podmínky pro uvádění na trh a základní bezpečnostní požadavky na osobní ochranné prostředky třetí kategorie (OOP). Certifikace byla vydána notifikovaným orgánem RINA, přičemž byly použity pouze modely regulátorů SCUBAPRO, které jsou uvedeny v této příručce.

Certifikační zkoušky byly provedeny podle harmonizované normy EN250:2014, aby byla zajištěna shoda regulátorů se základními požadavky na bezpečnost a ochranu zdraví stanovenými evropským nařízením 2016/425/EU.

Značky CE a EN250 na výrobku označují shodu s uvedenými požadavky.

Číslo 0474 je identifikační kód pro RINA Via Corsica, 12, 16128 Janov (GE) Itálie, notifikovaný subjekt, který posuzuje shodu a kontroluje výrobu podle modulů B a D směrnice 2016/425/EU. Označení 232bar a 300bar na prvním stupni udává maximální přívodní tlak OOP.

Výrobce SCUBAPRO FM2/MK25EVO/S620Ti je SCUBAPRO EUROPE s.r.l., Via Tangoni 16, 16030 Casarza Ligure (GE) Itálie. SCUBAPRO EUROPE s.r.l. má systém řízení jakosti certifikovaný společností RINA v souladu s normou ISO 9001:2015.

2.1 Norma EN 250:2014 - význam a požadavky

Požadavky a zkoušky definované normou EN 250:2014 mají zaručit minimální úroveň bezpečnosti provozu dýchacích přístrojů pod vodou. V Evropě definuje norma EN 250:2014 minimální technické požadavky, které musí SCUBA splňovat, a je nejnovější revizí normy EN 250.

2.2 Omezení stanovená normou EN250:2014

Jednotka SCUBA může sestávat ze samostatných komponent, jako například: láhev (láhve), regulátor(y), tlakoměr a maska.

Použití jednotky SCUBA je omezeno na potápění pod vodou.

Celoobličejová maska FM2/MK25EVO/S620Ti se skládá z obličejové masky integrované s regulátorem, a je tedy osobním ochranným prostředkem, který chrání oči před kontaktem s vodou a dýchací cesty vystavené působení tlaku a dodává dýchatelný vzduch za nezbytných podmínek použití během ponoru.

FM2/MK25EVO/S620Ti lze používat s komponentami SCUBA certifikovanými podle nařízení EU 2016/425 a normy EN 250:2014. Vzduch obsažený v tlakové láhvi musí splňovat požadavky na dýchatelný vzduch, které vyžaduje norma ČSN EN 12021. Certifikovaná hloubka činí 50 metrů (164 stop). V každém případě však potápěči vždy musí dodržovat limity stanovené místními předpisy na lokalitě ponoru.

DŮLEŽITÉ

Evropská certifikace OOP FM2/MK25EVO/S620Ti se vztahuje na kompletní výrobek, který se skládá z:

- 1) Obličejová maska SCUBAPRO FM2.
- 2) Druhý stupeň S620Ti čelně namontovaný na obličejovou masku FM2 a připojený k jednomu prvnímu stupni MK25EVO.

! VAROVÁNÍ

Oblíčeový chránič FM2 je certifikován pouze s modely regulátorů uvedenými v této příručce, se kterými byly provedeny evropské certifikační zkoušky v souladu s normou EN250:2014.

Použití FM2 s jinými regulačními orgány je mimo rozsah certifikace.

! VAROVÁNÍ

Jakákoli změna konfigurace FM2/MK25EVO/S620Ti, která není součástí certifikované evropské konfigurace popsané v této příručce, včetně například nízkotlaké hadice dodávané s regulátorem, má za následek ztrátu shody s evropskou certifikační normou.

Maximální provozní tlak závisí na připojení použitého regulátoru MK25 EVO/S620Ti: 300 barů pro připojení DIN a 232 barů pro připojení INT, podle označení na prvním stupni.

Další technické údaje a informace o regulátoru najdete v příručce k regulátorům SCUBAPRO.

FM2/MK25EVO/S620Ti je certifikován pro použití ve studené vodě, tj. při teplotách pod 10 °C (50°F).

2.2.1 OCTOPUS (Nouzový pomocný dýchací přístroj)

Octopus je obvykle považován za záložní, nouzový druhý stupeň, který může potápěč použít v případě potřeby (např. pokud primární druhý stupeň selže).

! VAROVÁNÍ

Jako nouzové výstupové zařízení použité více než jedním potápěčem současně smí být použita pouze výstroj SCUBA odpovídající normě EN 250:2014 a nesoucí označení „EN250A“ nebo „EN250A>10°C“.

! VAROVÁNÍ

Je-li výstroj SCUBA nakonfigurována pro použití více než jedním potápěčem současně, nesmí být takto použita ve větší hloubce než 30 metrů a ve vodě chladnější než 4 °C, pokud nese označení „EN250A“, a než 10 °C, pokud nese označení „EN250A>10°C“.

Označení EN250A najdete na prvním a druhém stupni regulátoru MK25EVO/S620Ti. Oblíčeová maska FM2 je označen normou EN250.

2.3 Důležité poznámky

V zájmu vaší vlastní bezpečnosti při používání výstroje SCUBAPRO upozorňujeme na následující:

1. Používejte výstroj v souladu s pokyny uvedenými v této příručce a pouze po úplném prostudování a pochopení všech pokynů, varování a upozornění.
2. Používání výstroje je omezeno na způsoby uvedené v této příručce nebo takové, které jsou písemně schváleny společností SCUBAPRO.
3. Tlakové láhve smí být plněny pouze čistým stlačeným atmosférickým vzduchem v souladu s normou ČSN EN 12021. Vlhkost v tlakové láhvi může vedle koroze láhve způsobit zamrznutí a následné selhání regulátoru během ponoru v chladných vodách (o teplotě nižší než 10 °C (50°F)). Tlakové láhve je nutné přepravovat v souladu s místními předpisy na přepravu nebezpečného zboží. Používání tlakových lahví podléhá zákonným předpisům upravujícím používání plynů a stlačeného vzduchu.
4. Zařízení musí být revidováno autorizovaným technikem SCUBAPRO s předepsanou frekvencí. Generální opravy musí být zdokumentovány. Při provádění oprav a při údržbě smí být použity pouze náhradní díly SCUBAPRO.
5. Pokud by byla provedena oprava nebo údržba výstroje v rozporu s postupy schválenými společností SCUBAPRO nebo pokud by ji vykonala neškolená osoba či osoba bez příslušného oprávnění společnosti SCUBAPRO, případně pokud by tato výstroj byla použita jiným způsobem a pro jiné účely, jež nejsou specificky stanoveny, pak odpovědnost za správnou a bezpečnou funkci této výstroje přechází výlučně na jejího majitele/uživatele.
6. Dýchání musí být plynulé, nezadržujte dech.
7. Všechny ponory musejí být plánované a provedeny vždy tak, aby na konci ponoru měl potápěč stále dostatečnou rezervu vzduchu pro použití v případě nouze. Doporučené množství činí obvykle 50 barů (725 psi).
8. Jestliže má být výstroj použita v chladných vodách (o teplotě nižší než 10°C (50°F)), pak je nutné použít regulátor vhodný pro takovéto teploty.

⚠ VAROVÁNÍ

Potápění ve studených vodách vyžaduje speciální výstroj a techniku. Před potápěním ve studených vodách důrazně doporučujeme, abyste absolvovali školení u uznávané výcvikové organizace.

9. Obsah této příručky vychází z nejnovějších informací, které jsou dostupné v době jejího tisku. SCUBAPRO si vyhrazuje právo na změny, a to kdykoliv.

SCUBAPRO odmítá veškerou odpovědnost za škody způsobené nedodržáním pokynů uvedených v této příručce. Tyto pokyny nerozšiřují záruku ani odpovědnost stanovenou prodejními a dodacími podmínkami společnosti SCUBAPRO.

V zájmu zachování platnosti záruky, musí být údržba prováděna kvalifikovaným technikem SCUBAPRO a musí být uchovávány záznamy o údržbě. Podrobné informace získáte u autorizovaného prodejce SCUBAPRO.

3. OBECNÁ CHARAKTERISTIKA**⚠ VAROVÁNÍ**

Pouze kombinace regulátorů MK25EVO/S620Ti je certifikována pro montáž a použití s obličejovou maskou FM2.

Jediné konfigurace MK25EVO/S620Ti s certifikací FM2 jsou výhradně ty, které jsou vybaveny standardními 75cm hadicemi SCUBAPRO, bez otočných ramen nebo kolen s příslušenstvím.

Ventil přívodu vzduchu pro dobu na hladině (obrázek 1-B) umožňuje otevřením ventilu zabránit spotřebě vzduchu užitečného pro ponor: stačí zavřít ventil přívodu vzduchu pro dobu na hladině, abyste mohli začít dýchat z druhého stupně a zahájit ponor.

Obličejová maska FM2 má pod bradou ventil pro odvod vody, který zajišťuje obzvláště účinný a přirozený odvod vody. Původní a certifikovaná konfigurace je vybavena ochrannou trubicou vypouštěcího ventilu (obrázek 1-C).

Tato trubka zabraňuje volnému proudění z druhého stupně během ponoru, které je způsobeno rozdílem hydrostatického tlaku, jenž za určitých podmínek vzniká v důsledku relativní polohy zdroje vzduchu.

⚠ VAROVÁNÍ

Odstranění ochranné trubky vypouštěcího ventilu vody představuje změnu certifikované konfigurace a znamená ztrátu shody s evropskou certifikační normou.

Obličejová maska FM2 má přípojky pro montáž příslušenství, včetně potápěčského počítače SCUBAPRO HUD (sady pro montáž příslušenství jsou k dispozici samostatně).

Podrobnosti o funkcích a použití naleznete v části POUŽÍVÁNÍ

4. POUŽÍVÁNÍ**4.1 Příprava na potápění - důležitá upozornění před použitím**

Na přední části masky se nachází přípojka určená k umístění druhého stupně.

Skupina komponentů potřebných k připojení druhého stupně je již sestavena na této přípojce (obrázky 1 a 2).

Tato skupina, našroubovaná na tělese (D), se skládá z kroužku (A), podložky (E), distanční podložky (G) a pryžové objímky (F).

Při montáži druhého stupně postupujte následovně.

Po rozepnutí pásku, který jej drží na místě, vyjměte náustek z druhého stupně.

Úplně vyšroubujte kroužek (A), přičemž tři součásti, kroužek (A), distanční podložka (G) a objímky (F), zůstanou předem smontovány podle obrázku 3.1, zatímco podložka (E) zůstane na svém místě na tělese (D).

Ujistěte se, že je podložka (E) namontována tak, aby obě těsnící žebra směřovala ke gumě nástavce (zvětšení 2.1).

Vložte druhý stupeň do pryžové objímky (F).

Poté pomocí dodaného pásku (H) zajistíte druhý stupeň v gumovém pouzdře, do kterého je druhý stupeň vložen, a dbejte na jeho dostatečné utažení.

Celou jednotku nasadte zpět na obličejovou masku, zašroubujte kroužek (A) a utáhněte jej až do konce tak, aby bylo zaručeno bezpečné spojení celé sestavy (obrázek 4), dbejte na to, aby se těleso při šroubování neotáčelo, a zkontrolujte, zda malý trojúhelník viditelný na zadní straně tělesa (D) zůstává směrem nahoru, jak je znázorněno na obrázku 3.2.

! VAROVÁNÍ

Při předběžné montáži vždy zkontrolujte, zda jste správně utáhli přípojovací skupinu komponentů druhého stupně a dodaný popruh, který drží samotný druhý stupeň.

Nedostatečné nebo nesprávné utažení může být při ponoru velmi nebezpečné a způsobit nehody a zranění, dokonce i smrtelné.

Pokud se zorník zamlžuje, aplikujte na jeho vnitřní povrch protimlžící přípravek SCUBAPRO (P/N 24.090.000) a následně masku důkladně opláchněte ve vodě (je-li maska nová, opakujte tento postup třikrát).

Nikdy nepoužívejte rozpouštědla nebo čisticí prostředky, jako je alkohol apod. V případě potřeby používejte pouze tekuté mýdlo.

! VAROVÁNÍ

Před ponořením se doporučuje nasadit si výstroj a celoobličejovou masku na hladině.

4.2 Potápění

Před nasazením modelu FM2/MK25EVO/S620Ti jej zkontrolujte, zda jsou všechny jeho části v optimálním stavu pro ponor.

Zkontrolujte všechny přezky, popruhy, upevnění druhého stupně, rám a obličejovou masku.

Nasaděte masku a zkontrolujte, zda se nemlží a zda můžete vyrovnávat tlak.

! VAROVÁNÍ

Nepotápějte se, pokud jste nejprve nezkontrolovali dobrý stav a správnou funkci vybavení a FM2/MK25EVO/S620Ti.

Pokud zjistíte jakékoli závady, poškození nebo neoprávněnou manipulaci, neprodleně kontaktujte autorizovaného servisního technika společnosti SCUBAPRO.

! VAROVÁNÍ

Nesákejte do vody obličejem dolů a neopouštějte masku proti ostrým předmětům: silný náraz může způsobit rozbití skel a zranění uživatele.

Po provedení předběžných kontrol si nasaděte masku FM2/MK25EVO/S620Ti tak, že nastavíte pět konců popruhů a utáhnete pět popruhů jednotlivě tak, že za každý konec jednoduše postupně zatáhnete, dokud nedosáhnete optimálního nastavení masky na obličej. (obrázek 5.1)

Pro usnadnění nastavení můžete dočasně vyjmout konce popruhů z poutek.

Chcete-li masku uvolnit nebo sejmut, mírně nadzvedněte jazýčky přezky a zároveň zatáhnete za příslušné spodní popruhy (obrázek 5.2).

! VAROVÁNÍ

V hloubce větší než 2 metry (6 stop) při volném potápění tlak tlačí masku na obličej.

Při použití v certifikované konfiguraci stačí normálně dýchat, aby se předešlo problémům.

! VAROVÁNÍ

Abyste se vyhnuli nebezpečnému stavu rozdrceného ušního bubínku při potápění, stiskněte si nos prsty a foukejte se zavřenými ústy, abyste do vnitřní strany stěny ušního bubínku natlačili vzduch.

Během zastávek na povrchu můžete použít ventil pro nasávání vzduchu z povrchu, který je na masce, a to tak, že odšroubujete závitovou zátku (obrázek 1-B), abyste mohli dýchat atmosférický vzduch bez použití vzduchu z tlakových lahví.

Před potápěním zátku zcela zašroubujte zpět, aby se maska opět utěsnila.

! VAROVÁNÍ

Před potápěním se ujistěte, že je uzavřen ventil pro nasávání vzduchu na hladině a maska je utěsněna, aby se zabránilo vniknutí vody a zaplavení masky.

⚠ VAROVÁNÍ

Společnost SCUBAPRO doporučuje mít vždy k dispozici záložní záchranný systém: celý regulátor s prvním a druhým stupněm, který není připojen k masce FM2/MK25EVO/S620Ti atd.
Společnost SCUBAPRO také doporučuje mít s sebou náhradní masku.

⚠ VAROVÁNÍ

Během potápění není možné přístroj FM2 sundat a znovu nasadit. Pokud je nutné sejmut FM2 pod vodou, nenasažujte jej zpět. Použijte náhradní masku a regulátory a okamžitě začněte stoupat.

5. PÉČE O VÝSTROJ V DOBĚ, KDY SE NEPOUŽÍVÁ

Po každém ponoru masku důkladně opláchněte čistou vodou, zejména pokud se potápíte v chlorované vodě.

⚠ VAROVÁNÍ

Zejména pokud byl přístroj FM2/MK25EVO/S620Ti použit v kontaminované vodě, nezapomeňte jej důkladně opláchnout a vyčistit.

5.1 Dezinfekce

Společnost SCUBAPRO doporučuje prostředek McNett Revivex Cleaner. Používejte v souladu s pokyny a v poměru ředění uvedeném na obalu.

⚠ VAROVÁNÍ

Nepoužívejte rozpouštědla nebo čisticí prostředky, jako je alkohol apod.

5.2 Skladování

Nechte sušit na chladném místě mimo dosah slunečního záření a umístěte tak, aby voda odtékala.

Po vysušení skladujte masku mimo dosah slunečního záření na suchém místě při pokojové teplotě.

TEPLOTNÍ LIMITY -10°C / 60°C

6. ÚDRŽBA

Operace nad rámec popsany v této příručce nesmí provádět uživatel, ale kvalifikovaný a autorizovaný technik společnosti SCUBAPRO.

Autorizovaný technik SCUBAPRO musí jednou za dva roky provést důkladnou kontrolu a prohlídku masky FM2. Generální oprava je povinná pro zachování záruky. Informace o údržbě regulátorů naleznete v příručce k regulátorům SCUBAPRO.

Přečtěte si záruční podmínky Johnson Outdoors. Servis výstroje nabízejí autorizovaní prodejci SCUBAPRO, které poznáte podle označení VYBRANÝ PRODEJCE SCUBAPRO, nebo můžete navštívit adresu www.scubapro.com.

1. VIGTIGE ADVARSLER

ADVARSEL

Denne vejledning skal læses og forstås fuldt ud, før produktet tages i brug. Det anbefales, at du beholder denne vejledning i din besiddelse i hele produktets levetid.

ADVARSEL

Når du dykker, skal du følge reglerne og anvende defærdigheder, som et godkendt dykkercertificeringsbureau har lært dig. Før du kan deltage i en dykkeaktivitet, er det obligatorisk at have gennemført et dykkerkursus, der dækker både de teoretiske og tekniske aspekter af dykning med en helmaske.

ADVARSEL

Denne instruktionsvejledning erstatter ikke et dykkerundervisningskursus.

ADVARSEL

Før detaljer om funktioner, brug, pleje og vedligeholdelse af MK25EVO/S620Ti-regulatoren henvises til SCUBAPRO-regulatorens manual.

DAN - Dansk

2. EUROPÆISK CERTIFICERING

FM2-ansigtsmasken og MK25EVO/S620Ti-regulatoren udgør tilsammen FM2/MK25EVO/S620Ti-helmasken. SCUBAPRO FM2/MK25EVO/S620Ti-helmasken har opnået den europæiske certificering i henhold til de europæiske regler, der regulerer betingelserne for markedsføring og de grundlæggende sikkerhedskrav til personlige værnemidler (PV) i kategori tre. Certificeringen blev udstedt af det bemyndigede organ RINA med brug af de eneste SCUBAPRO-regulatormodeller, der er inkluderet i denne manual.

Certificeringstests er blevet udført i henhold til den harmoniserede standard EN250:2014 for at sikre overholdelse af de grundlæggende krav til sundhed og sikkerhed, der er fastsat i den europæiske forordning 2016/425/EU.

CE- og EN250-mærkerne på produktet angiver, at det opfylder disse krav.

Nummeret 0474 er identifikationsnummeret for RINA Via Corsica, 12, 16128 Genova (GE) Italien, det bemyndigede organ, der vurderer overensstemmelse og kontrollerer produktionen, jf. Modul B og D, 2016/425/EU. Markeringen på 232 bar og 300 bar på førstetrinnet angiver det maksimale forsyningstryk for det personlige værnemiddel.

Producenten af SCUBAPRO FM2/MK25EVO/S620Ti er SCUBAPRO EUROPE s.r.l., Via Tangoni 16, 16030 Casarza Ligure (GE) Italien. SCUBAPRO EUROPE s.r.l. har et kvalitetsstyringssystem, der er certificeret af RINA i overensstemmelse med ISO9001:2015-standarden.

2.1 *Standarden EN 250:2014 - betydning og krav*

De krav og tests, der er defineret i standarden EN 250:2014, har til formål at garantere et minimumssikkerhedsniveau for brug af udstyr til at trække vejret under vandet. I Europa definerer standarden EN 250:2014 de tekniske minimumskrav, som SCUBA skal overholde, og er den seneste revision af EN250-standarden.

2.2 *Begrænsninger i EN250:2014*

SCUBA-enheden kan bestå af separate komponenter som f.eks. flaske(r), regulator(er), trykmåler og ansigtsmaske.

Brug af SCUBA-enheden er begrænset til undervandsdykning.

FM2/MK25EVO/S620Ti-helmasken består af en ansigtsmaske, hvori der er integreret en regulator, og som derfor er et personligt værnemiddel, der beskytter øjnene mod kontakt med vand og luftvejene, der udsættes for trykpåvirkning, og leverer åndbar luft under de nødvendige brugsbetingelser under dykket.

FM2/MK25EVO/S620Ti kan bruges med SCUBA-komponenter, der er certificeret i henhold til EU-forordningen 2016/425 og standarden EN 250:2014. Den luft, der er i flaskerne, skal være i overensstemmelse med kravene til indåndingsluft i standarden EN 12021. Certificeringsdybden er 50 meter (164 ft). Under alle omstændigheder skal dykkere altid overholde de begrænsninger, der er fastsat i de lokale bestemmelser på dykkestedet.

VIGTIGT

Den europæiske certificering af FM2/MK25EVO/S620Ti PPE henviser til det komplette produkt, der består af:

- 1) En SCUBAPRO FM2-ansigtsmaske.
- 2) Et S620Ti andettrin monteret frontalt på FM2-ansigtsmasken og forbundet med et enkelt MK25EVO førstetrin.

⚠ ADVARSEL

FM2-ansigtsmasken er kun certificeret med de modeller af regulatorer, der er specificeret i denne manual, og med hvilke de europæiske certificeringstest er blevet udført i overensstemmelse med EN250:2014-standarden.

Brugen af FM2 med andre regulatorer ligger uden for certificeringens rammer.

⚠ ADVARSEL

Enhver ændring af FM2/MK25EVO/S620Ti-konfigurationen, som ikke er inkluderet i den certificerede europæiske konfiguration som beskrevet i denne manual, herunder f.eks. lavtryksslangen, der leveres med regulatoren, medfører tab af overensstemmelse med den europæiske certificeringsstandard.

Det maksimale driftstryk afhænger af tilslutningen af den anvendte MK25 EVO/S620Ti-regulator: 300 bar for DIN-tilslutningen og 232 bar for INT-tilslutningen, i henhold til mærkningen på førstetrinnet.

Se manualen til SCUBAPRO-regulatorer for yderligere tekniske detaljer og oplysninger om regulatoren.

FM2/MK25EVO/S620Ti er certificeret til brug i koldt vand, dvs. temperaturer under 10 °C (50 °F).

2.2.1 OCTOPUS (nødvejtrækningsudstyr)

Octopussen betragtes normalt som et ekstra nødtrin, som dykkeren kan bruge i nødstilfælde (f.eks. i tilfælde af fejlfunktion i det primære andettrin).

⚠ ADVARSEL

Kun en SCUBA, der er i overensstemmelse med EN250:2014-standarden og er mærket "EN250A" eller "EN250A>10°C", må anvendes som redningsudstyr af mere end én dykker på samme tid.

⚠ ADVARSEL

Hvis SCUBA'en er konfigureret til og anvendes af mere end én dykker på samme tid, må den ikke anvendes på større dybder end 30 meter og i vandtemperaturer på under 4 °C, hvis den er mærket med "EN250A", og under 10 °C, hvis den er mærket "EN250A>10 °C".

EN250A-mærkningen findes på både første- og andettrinnet af MK25EVO/S620Ti-regulatorene. Fm2-ansigtsmasken er mærket EN250.

2.3 Vigtige bemærkninger

For at beskytte dig, når du bruger SCUBAPROs udstyr, gør vi dig opmærksom på følgende:

1. Brug udstyret i overensstemmelse med instruktionerne i denne vejledning og kun efter at have læst og forstået alle instruktioner og advarsler fuldt ud.
2. Anvendelsen af udstyret er begrænset til de anvendelser, der er beskrevet i denne vejledning eller til anvendelser, der er skriftligt godkendt af SCUBAPRO.
3. Flaskerne må kun fyldes med atmosfærisk trykluft i henhold til EN 12021-standarden. Hvis der er fugt i flasken, kan det ud over at forårsage korrosion af flasken også forårsage frysnings og efterfølgende fejlfunktion af regulatoren under dyk, der udføres ved lave temperaturer (under 10 °C (50 °F)). Flasker skal transporteres i overensstemmelse med de lokale regler for transport af farligt gods. Brugen af flasker er underlagt de love, der regulerer brugen af gasser og trykluft.
4. Udstyret skal efterses af en autoriseret SCUBAPRO-tekniker med den foreskrevne hyppighed. Eftersyn skal dokumenteres. Ved reparationer og vedligeholdelse må der kun anvendes SCUBAPRO-reservedele.
5. Hvis udstyret serviceres eller repareres uden at overholde de procedurer, der er godkendt af SCUBAPRO, eller af personale, der ikke er uddannet til det eller ikke certificeret af SCUBAPRO, eller hvis det anvendes på andre måder og til andre formål end dem, der specifikt er angivet, overgår ansvaret for udstyrets korrekte og sikre funktion til ejeren/brugeren.
6. Vejtrækningen skal være kontinuerlig, uden at holde vejret.
7. Alle dyk skal planlægges og udføres på en sådan måde, at dykkeren ved afslutningen af dykningen stadig har en rimelig luftreserve til brug i nødstilfælde. Den foreslåede mængde er normalt 50 bar (725 psi).
8. Hvis SCUBA-udstyret skal bruges i koldt vand (temperatur under 10 °C (50 °F)), skal der anvendes en regulator, der er egnet til sådanne temperaturer.

ADVARSEL

Dykning i koldt vand kræver særligt udstyr og særlige teknikker. Før du dykker i koldt vand, anbefaler vi på det kraftigste, at du får tilstrækkelig træning fra et anerkendt træningsbureau.

9. Indholdet i denne vejledning er baseret på de seneste oplysninger, der er tilgængelige på tidspunktet for udgivelsen. SCUBAPRO forbeholder sig ret til at foretage ændringer til enhver tid.

SCUBAPRO fralægger sig ethvert ansvar for skader, der skyldes manglende overholdelse af anvisningerne i denne vejledning. Denne vejledning udvider ikke garantien eller det ansvar, der er angivet i SCUBAPROs salgs- og leveringsbetingelser.

For at garantien kan opretholdes, skal vedligeholdelsen udføres af en kvalificeret SCUBAPRO-tekniker, og der skal føres en vedligeholdelsesjournal. Kontakt en autoriseret SCUBAPRO-forhandler for yderligere oplysninger.

3. GENERELLE EGENSKABER

ADVARSEL

Kun MK25EVO/S620Ti-regulatorkombinationen er certificeret til montering og brug på FM2-ansigtsmasken.

De eneste konfigurationer af MK25EVO/S620Ti, der er certificeret med FM2, er udelukkende dem, der har SCUBAPROs standard 75 cm slanger uden tilbehør som drejeskiver eller bøjninger.

Luftindtagsventilen til perioder på overfladen (figur 1-B) gør det muligt ved at åbne ventilen at undgå forbrug af luftforsyningen, der er beregnet til dykket. Du skal blot lukke luftindtagsventilen til brug i overfladen for at begynde at trække vejret fra andettrinnet og starte dykket.

Fm2-ansigtsmasken har en vandåftapningsventil under hagen, som giver et særligt effektivt og naturligt vandaflob. Den originale og certificerede konfiguration er udstyret med et beskyttelsesrør til åftapningsventilen (figur 1-C).

Dette rør forhindrer fri strømning fra andettrinnet under dykket, forårsaget af forskellen i hydrostatisk tryk, der under visse forhold genereres af luftkildens relative position.

ADVARSEL

Hvis beskyttelsesrøret til vandåftapningsventilen fjernes, udgør det en ændring af den certificerede konfiguration og indebærer tab af overensstemmelse med den europæiske certificeringsstandard.

Fm2-ansigtsmasken har tilslutninger til montering af tilbehør, herunder SCUBAPRO HUD-dykkercomputeren (sæt til montering af tilbehør fås separat).

For detaljer om funktioner og brug, se afsnittet BRUG

4. BRUG

4.1 Forberedelse til dykning - vigtige advarsler før brug

På den forreste del af masken findes den tilslutning, der er designet til at huse andettrinnet.

Gruppen af komponenter, der er nødvendige for at tilslutte andettrinnet, er allerede monteret på denne tilslutning (figur 1 og 2).

Denne gruppe, der er skruet fast på huset (D), består af en ring (A), en skive (E), et afstandsstykke (G) og en gummimuffe (F).

Gør som følger for at montere andettrinnet.

Fjern mundstykket fra andettrinnet efter at have åbnet den strop, der holder det på plads.

Skrue ringen (A) helt af, så de tre komponenter, ring (A), afstandsstykke (G) og muffe (F), er monteret som vist i figur 3.1, mens skiven (E) forbliver siddende på huset (D).

Sørg for, at skiven (E) er monteret, så de to tætningsribber vender mod gummi på kanten (forstørrelse 2.1).

Sæt andettrinnet ind i gummimuffen (F).

Brug derefter den medfølgende strop (H) til at fastgøre andettrinnet i gummimuffen, som andettrinnet er sat ind i, og sørg for at stramme tilstrækkeligt.

Sæt hele enheden tilbage på ansigtsmasken ved at skrue ringen (A) på og stramme den helt til for at garantere en sikker forbindelse af hele enheden (figur 4), og sørg for, at huset ikke roterer, mens det skrues på, og kontrollér, at den lille trekant på bagsiden af huset (D) fortsat vender opad som vist i figur 3.2.

⚠ ADVARSEL

Når du foretager den indledende montering, skal du altid kontrollere, at du har spændt tilslutningsgruppen til andettrinet og den medfølgende strop, der holder selve andettrinet, korrekt.

Manglende eller forkert tilspænding kan være meget farligt under dykket og forårsage ulykker og skader, endda med dødelig udgang.

Hvis linserne begynder at dugge, skal du komme SCUBAPRO antidug-opløsningen (P/N 24.090.000) på indersiden af dem og derefter skylle masken grundigt i vandet (gentag denne handling tre gange, hvis masken er ny).

Brug aldrig opløsningsmidler eller rengøringsmidler som alkohol osv. Brug kun flydende sæbe, hvis det er nødvendigt.

⚠ ADVARSEL

Det anbefales at tage udstyret og helmasken på i overfladen, før du dykker.

4.2 Dykning

Før du tager FM2/MK25EVO/S620Ti på, skal du undersøge den for at sikre, at alle dele er i optimal stand til et dyk.

Kontrollér alle spænder, stropper, fastgørelse af andettrin, ramme og ansigtsmaske.

Tag masken på, og kontrollér, at den ikke dugger, og at du kan trykudligne.

⚠ ADVARSEL

Dyk ikke, medmindre du først har kontrolleret, at udstyret og FM2/MK25EVO/S620Ti er i god stand og fungerer korrekt.

Hvis du opdager fejl, skader eller manipulation, skal du straks kontakte en autoriseret SCUBAPRO-servicetekniker.

⚠ ADVARSEL

Hop ikke på hovedet i vandet og tab ikke masken ned på nogen skarpe genstand: det kraftige stød kan slå linserne i stykker og forårsage personskader.

Når de indledende kontroller er udført, skal du tage FM2/MK25EVO/S620Ti-masken på ved at justere de fem ender af stropperne og stramme de fem stropper individuelt ved at trække i hver ende lidt efter lidt, indtil du opnår den optimale justering af masken på dit ansigt. (figur 5.1)

For at lette justeringen kan du midlertidigt fjerne stroppernes ender fra deres løkker.

For at løsne eller fjerne masken skal du løfte spændetapperne lidt, mens du trækker i de tilsvarende nedre stropper (figur 5.2).

⚠ ADVARSEL

På mere end 2 meters dybde, under fridykning, presser trykket masken mod ansigtet.

Når den bruges i en certificeret konfiguration, er det tilstrækkeligt at trække vejret normalt for at undgå problemer.

⚠ ADVARSEL

For at undgå at få knust en trommehinde under dykning, hvilket kan være farligt, skal du klemme næsen sammen med fingrene og puste med lukket mund for at presse luft ind i trommehinden.

Under stop på overfladen kan du bruge ventilen til at trække vejret på overfladen på masken ved at skrue gevindproppen ud (figur 1-B) for at indånde atmosfærisk luft uden at bruge luft fra flaskerne.

For du dykker, skal du skrue proppen helt i for at forsegle masken igen.

⚠ ADVARSEL

Før du dykker, skal du sørge for, at luftindtagsventilen til overfladebrug er lukket, og at masken er forsejlet for at forhindre vand i at trænge ind og oversvømme masken.

ADVARSEL

SCUBAPRO anbefaler, at man altid har et backup-redningssystem til rådighed: en hel regulator med første og andettrin, der ikke er tilsluttet FM2/MK25EVO/S620Ti-masken el. lign.
SCUBAPRO anbefaler også, at man har en ekstra maske med sig.

ADVARSEL

Det er ikke muligt at tage FM2 af og på igen under dykning. Hvis det er nødvendigt at fjerne FM2 under vandet, må du ikke tage den på igen. Brug en ekstra maske og regulatorer, og begynd at stige op med det samme.

5. PLEJE, NÅR ENHEDEN IKKE ER I BRUG

Skyl masken grundigt med ferskvand efter hvert dyk, især hvis det er foretaget i klorvand.

ADVARSEL

Især hvis FM2/MK25EVO/S620Ti har været brugt i forurenet vand, skal du sørge for at skylle og rengøre den grundigt.

5.1 *Desinfektion*

SCUBAPRO anbefaler McNett Revivex rengøringsmiddel. Anvend i overensstemmelse med den fremgangsmåde og fortynding, der er beskrevet på emballagen.

ADVARSEL

Brug ikke opløsningsmidler eller rengøringsmidler såsom alkohol el. lign.

5.2 *Opbevaring*

Lad den tørre et koligt sted uden sollys, og anbring den, så vandet løber ud.

Når masken er tørret, skal den opbevares væk fra sollys på et tørt sted ved stuetemperatur.

TEMPERATURGRÆNSER -10°C / 60°C

6. VEDLIGEHOLDELSE

Handlinger ud over dem, der er beskrevet i denne manual, må ikke udføres af brugeren, men skal udføres af en kvalificeret og autoriseret SCUBAPRO-tekniker.

FM2-ansigtsmasken skal serviceres af en autoriseret SCUBAPRO-tekniker hvert 2. år. Eftersynet er obligatorisk for at bevare garantien. Se manualen til SCUBAPRO-regulatorer for vedligeholdelse af regulatorer.

Se venligst Johnson Outdoors garantibetingelser. Service kan fås hos autoriserede SCUBAPRO-forhandlere, der er identificeret med SCUBAPRO-skiltet SELECTED DEALER SCUBAPRO, eller ved at gå ind på www.scubapro.com.

1. WICHTIGE WARNUNGEN

WARNUNG

Bevor Sie das Produkt verwenden, muss diese Bedienungsanleitung gelesen und verstanden werden. Es wird empfohlen, dass Sie dieses Handbuch während der gesamten Lebensdauer Ihres Produkts aufbewahren.

WARNUNG

Befolgen Sie beim Tauchen die Regeln und wenden Sie die Kenntnisse an, die Sie bei einer anerkannten Tauchinstitution gelernt haben. Bevor Sie an Tauchaktivitäten irgendeiner Art teilnehmen, ist es obligatorisch, den theoretischen und den praktischen Teil eines SCUBA-Tauchkurses zum Tauchen mit einer Vollgesichtsmaske erfolgreich abgeschlossen zu haben.

WARNUNG

Diese Bedienungsanleitung ersetzt keinen Tauchkurs.

WARNUNG

Einzelheiten zu den Merkmalen, der Verwendung, Pflege und Wartung des Atemreglers MK25EVO/S620Ti finden Sie im Handbuch für SCUBAPRO-Atemregler.

2. EUROPÄISCHE ZERTIFIZIERUNG

Die FM2-Gesichtsmaske und der MK25EVO/S620Ti Atemregler bilden zusammen die FM2/MK25EVO/S620Ti Vollgesichtsmaske.

Die Vollgesichtsmaske SCUBAPRO FM2/MK25EVO/S620Ti hat das europäische Zertifikat in Übereinstimmung mit den geltenden Gesetzen, die das Inverkehrbringen und die grundlegenden Sicherheitsanforderungen an persönliche Schutzausrüstung (PSA) der Kategorie 3 regeln, erhalten. Die Zertifizierung wurde von der gemeldeten Stelle RINA ausgestellt, wobei nur die in diesem Handbuch enthaltenen SCUBAPRO Atemregler-Modelle verwendet wurden.

Die Zertifizierungsprüfungen wurden entsprechend der harmonisierten Norm EN250:2014 durchgeführt, um die Übereinstimmung mit den in der europäischen Verordnung 2016/425/EU vorgeschriebenen grundlegenden Anforderungen an Sicherheit und Gesundheit zu gewährleisten.

Die CE- und EN250-Kennzeichnungen auf dem Produkt weisen auf die Einhaltung der genannten Anforderungen hin.

Die Nummer 0474 ist die Identifikationsnummer für RINA Via Corsica, 12, 16128 Genua (GE) Italien, der gemeldeten Stelle für die Prüfung der Übereinstimmung und die Kontrolle der Produktion, gemäß Modul B und D, 2016/425/EU. Die Kennzeichnung 232 bar und 300 bar auf der ersten Stufe gibt den maximalen Versorgungsdruck der PSA an.

Der Hersteller von SCUBAPRO FM2/MK25EVO/S620Ti ist SCUBAPRO EUROPE s.r.l., Via Tangoni 16, 16030 Casarza Ligure (GE) Italien. SCUBAPRO EUROPE S.r.l hat ein von RINA in Übereinstimmung mit dem Standard ISO9001:2015 zertifiziertes Qualitätsmanagement-System.

2.1 Norm EN 250:2014 - Bedeutung und Anforderungen

Die Anforderungen und Prüfungen, die im Standard EN 250:2014 festgelegt sind, garantieren ein minimales Sicherheitsniveau für den Betrieb von Unterwasser-Atemgeräten. In Europa definiert die Norm EN 250:2014 die technischen Mindestanforderungen, die SCUBA-Einheiten erfüllen müssen, und ist die jüngste Überarbeitung der Norm EN250.

2.2 Einschränkungen durch EN250:2014

Die SCUBA-Einheit kann aus separaten Komponenten bestehen, wie: Druckgasflasche(n), Atemregler, Druckanzeige und Gesichtsmaske.

Die Verwendung der SCUBA-Einheit beschränkt sich auf das Tauchen.

Die Vollgesichtsmaske FM2/MK25EVO/S620Ti besteht aus einer Maske mit integriertem Atemregler und ist somit eine PSA, die die Augen vor dem Kontakt mit Wasser und die Atemwege vor Druckeinwirkung schützt, indem sie während des Tauchgangs Atemluft unter den erforderlichen Einsatzbedingungen liefert.

Die FM2/MK25EVO/S620Ti kann mit SCUBA-Komponenten verwendet werden, die mit der Verordnung EU 2016/425 und dem Standard EN 250:2014 übereinstimmen. Die in den Druckgasflaschen enthaltene Luft muss den Anforderungen an Atemgas gerecht werden, wie im Standard EN 12021 vorgeschrieben wird. Die

zugelassene Tiefe beträgt 50 Meter (164 ft). Taucher müssen stets die Grenzen einhalten, die durch die regionalen Richtlinien am Tauchplatz gesetzt werden.

WICHTIG

Die europäische Zertifizierung der PSA FM2/MK25EVO/S620Ti bezieht sich auf das komplette Produkt, bestehend aus:

- 1) Eine SCUBAPRO FM2-Gesichtsmaske.
- 2) Eine zweite Stufe S620Ti, die frontal an der FM2-Gesichtsmaske montiert und mit einer einzelnen ersten Stufe MK25EVO verbunden ist.

! WARNUNG

Die FM2-Gesichtsmaske ist nur für die in diesem Handbuch aufgeführten Atemregler-Modelle zertifiziert, für die die europäischen Zertifizierungstests gemäß der Norm EN250:2014 durchgeführt worden sind.

Die Verwendung der FM2 mit anderen Atemreglern ist nicht Gegenstand der Zertifizierung.

! WARNUNG

Jede Änderung der Konfiguration der Einheit FM2/MK25EVO/S620Ti, die nicht in der in diesem Handbuch beschriebenen zertifizierten europäischen Konfiguration beschrieben ist, einschließlich z. B. am mit dem Atemregler gelieferten Niederdruckschlauch, führt zum Verlust der Konformität mit dem europäischen Zertifizierungsstandard.

Der maximale Betriebsdruck hängt vom Anschluss des verwendeten Atemreglers MK25 EVO/S620Ti ab: 300 bar für den DIN-Anschluss und 232 bar für den INT-Anschluss, entsprechend der Kennzeichnung auf der ersten Stufe.

Weitere technische Details und Informationen zum Atemregler finden Sie im Handbuch des SCUBAPRO Atemreglers.

FM2/MK25EVO/S620Ti ist für den Einsatz in kaltem Wasser, d. h. bei Temperaturen unter 10°C (50°F), zugelassen.

2.2.1 OKTOPUS (zusätzlicher Notfall-Atemregler)

Der Oktopus wird normalerweise als zusätzliche 2. Stufe für den Notfall erachtet, die der Taucher bei Bedarf verwenden kann (wie bei einer Störung der primären 2. Stufe).

! WARNUNG

Nur SCUBA Ausrüstung, die den Anforderungen des Standards EN250:2014 entspricht und mit einem mit „EN250A“ oder „EN250A>10°C“ gekennzeichneten Atemregler ausgestattet ist, darf als Notfallausrüstung von mehr als einem Taucher gleichzeitig verwendet werden.

! WARNUNG

Wenn eine SCUBA-Ausrüstung für mehr als einen Taucher konfiguriert ist und verwendet wird, darf sie nicht in Tiefen von unterhalb von 30 Metern und in Wassertemperaturen von weniger als 4°C verwendet werden, wenn sie mit „EN250A“ markiert ist und nicht in Wassertemperaturen unterhalb von 10°C, wenn sie mit „EN250A>10°C“ markiert ist.

Die Kennzeichnung EN250A befindet sich auf der ersten und zweiten Stufe des Atemreglers MK25EVO/S620Ti. Die FM2-Gesichtsmaske ist mit EN250 gekennzeichnet.

2.3 Wichtige Hinweise

Beachten Sie zu Ihrem Schutz bei der Verwendung der Life-Support-Systeme von SCUBAPRO Folgendes:

1. Verwenden Sie die Ausrüstung entsprechend den Anleitungen, die in dieser Bedienungsanleitung beschrieben sind und erst, nachdem Sie sämtliche Anleitungen und Warnungen vollständig gelesen und verstanden haben.
2. Die Ausrüstung darf nur für die in dieser Bedienungsanleitung beschriebenen Zwecke oder für von SCUBAPRO schriftlich genehmigte Zwecke verwendet werden.
3. Druckgasflaschen dürfen nur mit atmosphärischer Druckluft, entsprechend dem Standard EN 12021, gefüllt werden. Sollte sich in den Druckgasflaschen Feuchtigkeit ansammeln, könnte dies, neben der Korrosion der Flasche, während Kaltwassertauchgängen zu Vereisung und Funktionsstörungen des Atemreglers führen (unter 10 °C (50 °F)). Die Druckgasflaschen müssen in Übereinstimmung mit den örtlichen Gesetzen für den Transport von gefährlichen Gütern transportiert werden. Die Verwendung von Druckgasflaschen unterliegt den Gesetzen, die die Verwendung von Gasen und Druckluft regeln.

4. Die Ausrüstung muss von einem autorisierten SCUBAPRO-Techniker in der vorgeschriebenen Häufigkeit überholt werden.
Revisionen müssen dokumentiert werden. Beim Ausführen von Reparaturarbeiten und während der Wartung dürfen nur Ersatzteile von SCUBAPRO verwendet werden.
5. Sollte die Ausrüstung ohne Übereinstimmung mit den von SCUBAPRO genehmigten Verfahren oder von ungeschultem oder nicht von SCUBAPRO zertifiziertem Personal durchgeführt werden oder sollte die Ausrüstung auf Arten und für Zwecke verwendet werden, für die sie nicht ausdrücklich vorgesehen ist, geht die Haftung für die korrekte und sichere Funktionsweise der Ausrüstung vollumfänglich an den Eigner/ Benutzer über.
6. Atmen Sie kontinuierlich, ohne die Luft anzuhalten.
7. Alle Tauchgänge müssen so geplant und durchgeführt werden, dass am Ende des Tauchgangs noch eine genügend große Luftreserve für Notfälle im Tank übrig bleibt. Die allgemein empfohlene Reserve beträgt 50 bar.
8. Wenn die SCUBA-Ausrüstung in kaltem Wasser (Temperaturen unterhalb von 10°C/50°F) verwendet wird, ist die Verwendung eines Atemreglers erforderlich, der auf solche Temperaturen ausgelegt wurde.

⚠️ WARNUNG

Tauchen in Kaltwasser erfordert eine spezielle Ausrüstung und besondere Techniken. Wir empfehlen dringend, vor dem Tauchen in kaltem Wasser einen dafür vorgesehenen Kurs bei einem anerkannten Tauchinstitut abzuschließen.

9. Der Inhalt dieser Bedienungsanleitung basiert auf den neusten zum Zeitpunkt der Drucklegung verfügbaren Informationen. SCUBAPRO behält sich das Recht vor, jederzeit Änderungen vornehmen zu können.
SCUBAPRO weist jede Verantwortung für Schäden ab, die durch die Nichteinhaltung der Anleitungen der vorliegenden Bedienungsanleitung entstanden sind. Die Einhaltung dieser Anleitungen bedeutet keine Verlängerung der Garantiefrist oder der Verantwortung, die in den Verkaufs- und Lieferbedingungen von SCUBAPRO aufgeführt sind.
Um die Garantie aufrechtzuerhalten, muss die Wartung durch einen qualifizierten SCUBAPRO-Techniker durchgeführt werden, und Wartungsberichte müssen aufbewahrt werden. Kontaktieren Sie einen autorisierten SCUBAPRO-Fachhändler bzgl. weiterer Einzelheiten.

3. ALLGEMEINE MERKMALE

⚠️ WARNUNG

Nur die Atemregler-Kombination MK25EVO/S620Ti ist für die Montage und den Einsatz an der FM2-Gesichtsmaske zugelassen.

Die einzigen Konfigurationen des MK25EVO/S620Ti, die mit FM2 zertifiziert sind, sind ausschließlich die mit SCUBAPRO-Standardschläuchen von 75 cm Länge, ohne zusätzliche Dreh- oder Knickgelenke.

Das Lufterlassventil für die Zeit an der Oberfläche (Abbildung 1-B) ermöglicht es, durch Öffnen des Ventils den für den Tauchgang nützlichen Luftverbrauch zu vermeiden: Schließen Sie einfach das Lufterlassventil für die Zeit an der Oberfläche, um mit der Atmung der zweiten Stufe zu beginnen und den Tauchgang zu starten.

Die FM2-Gesichtsmaske ist mit einem Ventil unter dem Kinn ausgestattet, das einen besonders effektiven und natürlichen Wasserablass ermöglicht. Die ursprüngliche und zertifizierte Konfiguration ist mit einem Ablassventil-Schutzrohr ausgestattet (Abbildung 1-C).

Dieses Rohr verhindert, dass während des Tauchens ein freier Abblasen aus der zweiten Stufe erfolgt, die durch die Differenz des hydrostatischen Drucks verursacht wird, der unter bestimmten Bedingungen durch die relative Position der Luftquelle entsteht.

⚠️ WARNUNG

Das Entfernen des Schutzrohrs des Wasserablassventils stellt eine Änderung der zertifizierten Konfiguration dar und bedeutet den Verlust der Übereinstimmung mit dem europäischen Zertifizierungsstandard.

Die FM2-Gesichtsmaske verfügt über Anschlüsse für den Anschluss von Zubehör, einschließlich des Tauchcomputers SCUBAPRO HUD (Kits für den Anschluss von Zubehör sind separat erhältlich).

Einzelheiten zu Funktionen und Verwendung finden Sie im Abschnitt HANDHABUNG.

4. HANDHABUNG

4.1 Vorbereitung zum Tauchen - wichtige Warnhinweise vor dem Gebrauch

Auf der Vorderseite der Maske befindet sich der Anschluss für die zweite Stufe.

Die für die Verbindung der zweiten Stufe erforderlichen Komponenten sind bereits an diesem Anschluss montiert (Abbildungen 1 und 2).

Diese Gruppe, die auf das Gehäuse (D) geschraubt ist, besteht aus einem Ring (A), einer Unterlegscheibe (E), einem Distanzstück (G) und einer Gummimanschette (F).

Um die zweite Stufe zusammenzubauen, gehen Sie wie folgt vor.

Entfernen Sie das Mundstück von der zweiten Stufe, nachdem Sie das Band geöffnet haben, mit dem es befestigt ist.

Schrauben Sie den Ring (A) vollständig ab, wobei die drei Teile, Ring (A), Distanzstück (G) und Gummimanschette (F), wie in Abbildung 3.1 dargestellt vormontiert bleiben, während die Unterlegscheibe (E) auf dem Gehäuse (D) verbleibt.

Achten Sie darauf, dass die Unterlegscheibe (E) so montiert wird, dass die beiden Rippen der Dichtung des Maskenkörpers zugewandt sind (Vergrößerung 2.1).

Setzen Sie die zweite Stufe in die Gummimanschette (F) ein.

Verwenden Sie dann das mitgelieferte Band (H), um die zweite Stufe in der Gummimanschette zu befestigen, in die die zweite Stufe eingesetzt ist, und achten Sie darauf, dass es gut festgezogen ist.

Setzen Sie die gesamte Einheit wieder auf die Maske, schrauben Sie den Ring (A) an und ziehen Sie ihn ganz fest, um eine sichere Verbindung der gesamten Einheit zu gewährleisten (Abbildung 4). Achten Sie dabei darauf, dass sich das Gehäuse beim Anschrauben nicht dreht, und stellen Sie sicher, dass das kleine Dreieck, das auf der Rückseite des Gehäuses (D) zu sehen ist, wie in Abbildung 3.2 nach oben zeigt.

WARNUNG

Überprüfen Sie bei den ersten Montagearbeiten immer, ob die Verbindungsgruppe der zweiten Stufe und das mitgelieferte Band, das die zweite Stufe selbst hält, korrekt festgezogen sind.

Ein fehlerhaftes oder falsches Festziehen kann während des Tauchens sehr gefährlich sein und zu Unfällen und Verletzungen führen, sogar mit Todesfolge.

Wenn das Glas zu beschlagen beginnt, verwenden Sie den SCUBAPRO-Antibeschlaggel (P/N 24.090.000) auf der Innenseite und spülen Sie die Maske dann gründlich mit Wasser aus (wiederholen Sie diesen Vorgang dreimal, wenn die Maske neu ist).

Verwenden Sie niemals Lösungsmittel oder Reinigungsmittel wie Alkohol usw.. Verwenden Sie bei Bedarf nur Flüssigseife.

WARNUNG

Es wird empfohlen, die Ausrüstung und die Vollgesichtsmaske vor dem Tauchen an der Oberfläche anzulegen.

4.2 Tauchen

Überprüfen Sie die FM2/MK25EVO/S620Ti vor dem Anziehen, um sicherzustellen, dass alle Teile in optimalem Zustand für einen Tauchgang sind.

Überprüfen Sie alle Schnallen, Bänder, die Befestigung der zweiten Stufe, den Rahmen und die Gesichtsmaske.

Setzen Sie die Maske auf und prüfen Sie, ob sie beschlägt und ob Sie einen Druckausgleich erzielen können.

WARNUNG

Tauchen Sie nicht, bevor Sie nicht den optimalen Zustand und die korrekte Funktion der Ausrüstung und der FM2/MK25EVO/S620Ti überprüft haben.

Wenn Sie Mängel, Schäden oder Manipulationen feststellen, wenden Sie sich sofort an einen von SCUBAPRO autorisierten Servicetechniker.

WARNUNG

Lassen Sie die Maske nicht auf scharfe Gegenstände fallen, da das Glas durch den Aufprall zerbrechen und den Nutzer verletzen könnte.

Nachdem Sie die Vorprüfungen durchgeführt haben, setzen Sie die Maske FM2/MK25EVO/S620Ti auf, indem Sie die fünf Enden der Bänder einstellen und sie einzeln festziehen. Ziehen Sie dazu einfach nach und nach an jedem Ende, bis Sie die optimale Einstellung der Maske auf Ihrem Gesicht erreicht haben. (Abbildung 5.1)

Um die Einstellung zu erleichtern, können Sie die Enden der Bänder vorübergehend aus ihren Schlaufen entfernen. Um die Maske zu lösen oder abzunehmen, heben Sie die Laschen der Schnalle leicht an und ziehen Sie gleichzeitig an den entsprechenden unteren Bändern (Abbildung 5.2).

WARNUNG

Ab einer Tiefe von 2 Metern (6 Fuß) drückt der Druck beim freien Tauchen die Maske gegen das Gesicht. Bei der Verwendung in einer zertifizierten Konfiguration ist es ausreichend, normal zu atmen, um Probleme zu vermeiden.

WARNUNG

Um den gefährlichen Zustand eines Trommelfellrisses beim Tauchen zu vermeiden, sollte man die Nase mit den Fingern zuhalten und mit geschlossenem Mund ausatmen, um Luft in die Innenseite der Trommelfellwand zu drücken.

Bei Stopps an der Oberfläche können Sie das an der Maske angebrachte Ventil zum Einlassen der Umgebungsluft verwenden. Schrauben Sie dazu den Gewindestopfen auf (Abbildung 1-B), um Umgebungsluft zu atmen, ohne Luft aus den Flaschen zu verwenden.

Schrauben Sie vor dem Tauchen den Stopfen vollständig ein, um die Maske wieder abzudichten.

WARNUNG

Vergewissern Sie sich vor dem Tauchen, dass das Lufteinlassventil für die Oberflächenatmung geschlossen und die Maske abgedichtet ist, damit kein Wasser eindringen und die Maske fluten kann.

WARNUNG

SCUBAPRO empfiehlt, immer mit einem Backup-System zu tauchen: Atemregler mit erster und zweiter Stufe, die nicht an die Maske FM2/MK25EVO/S620Ti angeschlossen sind usw.

SCUBAPRO empfiehlt außerdem, eine Ersatzmaske mitzuführen.

WARNUNG

Es ist nicht möglich, die FM2 während des Tauchens abzunehmen und wieder anzubringen. Sollte es notwendig sein, die FM2 unter Wasser zu entfernen, setzen Sie sie nicht wieder auf. Verwenden Sie eine Ersatzmaske und einen Ersatz-Atemregler und tauchen Sie sofort auf.

5. PFLEGE BEI NICHTGEBRAUCH

Spülen Sie die Maske nach jedem Tauchgang gründlich mit Süßwasser aus, insbesondere wenn Sie in gechlortem Wasser tauchen.

WARNUNG

Insbesondere wenn die FM2/MK25EVO/S620Ti in verunreinigtem Wasser verwendet wurde, muss sie gründlich gespült und gereinigt werden.

5.1 *Desinfektion*

SCUBAPRO empfiehlt McNett Revivex Cleaner. Verwenden Sie das Produkt nach dem Verfahren und in der Verdünnung, die auf der Verpackung beschrieben sind.

WARNUNG

Verwenden Sie keine Lösungs- oder Reinigungsmittel wie Alkohol usw.

5.2 *Lagerung*

An einem kühlen, vor Sonnenlicht geschützten Ort trocknen lassen und so aufstellen, dass das Wasser abläuft.

Bewahren Sie die Maske nach dem Trocknen an einem trockenen Ort bei Zimmertemperatur geschützt vor Sonneneinwirkung auf.

TEMPERATURGRENZEN -10°C/60°C

6. WARTUNG

Arbeiten, die über die in diesem Handbuch beschriebenen hinausgehen, dürfen nicht vom Benutzer selbst, sondern nur von einem qualifizierten und autorisierten SCUBAPRO-Techniker durchgeführt werden.

Die FM2-Gesichtsmaske muss alle 2 Jahre von einem autorisierten SCUBAPRO Techniker gewartet werden. Die Wartung ist zwingend erforderlich, um die Garantie zu erhalten. Für die Wartung von Atemreglern siehe das Handbuch für SCUBAPRO-Atemregler.

Lesen Sie hierzu bitte die Garantiebedingungen von Johnson Outdoors. Die Wartung kann bei von SCUBAPRO autorisierten Fachhändlern, die mit dem Zeichen SELECTED DEALER SCUBAPRO identifiziert sind, durchgeführt werden oder besuchen Sie www.scubapro.com.

1. ADVERTENCIAS IMPORTANTES

ADVERTENCIA

Debe leer y comprender completamente este manual antes de utilizar el producto. Le aconsejamos que guarde este manual durante todo el tiempo que tenga su producto.

ADVERTENCIA

Cuando bucee, debe seguir las reglas y aplicar los conocimientos impartidos por el organismo de certificaciones de buceo en el que haya recibido formación. Antes de realizar una inmersión, es obligatorio haber completado satisfactoriamente un curso de buceo que cubra los aspectos teóricos y técnicos del buceo con una máscara facial completa.

ADVERTENCIA

Este manual de instrucciones no reemplaza a un curso de formación de buceo.

ADVERTENCIA

Para obtener información detallada sobre las características, el uso, el cuidado y el mantenimiento del regulador MK25EVO/S620Ti, consulte el manual de los reguladores de SCUBAPRO.

2. CERTIFICACIÓN EUROPEA

La máscara FM2 y el regulador MK25EVO/S620Ti constituyen juntos la máscara facial completa FM2/MK25EVO/S620Ti.

La máscara facial completa SCUBAPRO FM2/MK25EVO/S620Ti ha obtenido la certificación europea, de conformidad con los reglamentos europeos que regulan las condiciones de comercialización y los requisitos fundamentales de seguridad para los equipos de protección individual (EPI) de Categoría III. La certificación ha sido emitida por el organismo notificado RINA, con el uso de los únicos modelos de reguladores SCUBAPRO incluidos en este manual.

Se han llevado a cabo pruebas de certificación de conformidad con la norma armonizada EN250:2014 a fin de garantizar la conformidad con los requisitos fundamentales de salud y seguridad establecidos por el reglamento europeo 2016/425/UE.

Las marcas CE y EN250 del producto indican la conformidad con dichos requisitos.

El número 0474 es el número de identificación de RINA, con sede en Via Corsica 12, 16128, Génova (Italia), la entidad certificadora que comprueba la conformidad y controla la producción, según los módulos B y D del reglamento 2016/425/EU. Las marcas 232bar y 300bar de la primera etapa indican la presión máxima de suministro del EPI.

El fabricante de SCUBAPRO FM2/MK25EVO/S620Ti es SCUBAPRO EUROPE s.r.l., Via Tangoni 16 16030, Casarza Ligure (GE), Italia. SCUBAPRO EUROPE s.r.l. cuenta con un sistema de control de calidad certificado por RINA de conformidad con la norma ISO9001:2015.

2.1 Norma EN250:2014 - Significado y requisitos

Los requisitos y pruebas definidos por la norma EN250: 2014 tienen por objetivo garantizar un nivel de seguridad mínimo para el uso de equipos respiratorios subacuáticos. En Europa, la norma EN250:2014 define los requisitos técnicos mínimos que deben cumplir los equipos SCUBA, y es la revisión más reciente de la norma EN250.

2.2 Limitaciones previstas por la norma EN250: 2014

La unidad de SCUBA puede estar formada por componentes independientes como: botella(s), regulador(es), manómetro y máscara.

El uso de la unidad de SCUBA se limita a las inmersiones submarinas.

La máscara facial completa FM2/MK25EVO/S620Ti se compone de una máscara facial integrada con un regulador y es, por tanto, un EPI que protege los ojos del contacto con el agua y las vías respiratorias sometidas al efecto de la presión, suministrando aire respirable en las condiciones de uso necesarias durante la inmersión.

Los FM2/MK25EVO/S620Ti pueden ser utilizados con componentes de unidades de SCUBA certificados de conformidad con el reglamento EU 2016/425 y la norma EN250: 2014. El aire de las botellas debe cumplir los requisitos para aire respirable establecidos por la norma EN 12021. La profundidad de la certificación es de 50 m (164 pies). En cualquier caso, los buceadores deben respetar siempre los límites establecidos por la normativa local vigente del lugar de inmersión.

IMPORTANTE

La certificación europea del EPI FM2/MK25EVO/S620Ti se refiere al producto completo compuesto por:

- 1) Una máscara facial SCUBAPRO FM2.
- 2) Una segunda etapa S620Ti montada frontalmente en la máscara facial FM2 y conectada a una primera etapa MK25EVO.

ADVERTENCIA

La máscara facial FM2 solo está certificada con los modelos de reguladores especificados en este manual, con los que se han realizado las pruebas de certificación europeas, de acuerdo con la norma EN250:2014.

El uso de FM2 con otros reguladores queda fuera del alcance de la certificación.

ADVERTENCIA

Cualquier cambio en la configuración del FM2/MK25EVO/S620Ti que no esté incluido en la configuración europea certificada tal y como se describe en este manual, incluido, por ejemplo, el latiguillo de baja presión suministrado con el regulador, implica la pérdida de la conformidad con la norma de certificación europea.

La presión máxima de funcionamiento depende de la conexión del regulador MK25 EVO/S620Ti utilizado: 300 bar para la conexión DIN y 232 bar para la conexión INT, según el marcado de la primera etapa.

Consulte el manual de reguladores de SCUBAPRO para obtener más detalles técnicos e información sobre el regulador.

FM2/MK25EVO/S620Ti está certificado para su uso en agua fría, es decir, a temperaturas inferiores a 10 °C (50 °F).

2.2.1 OCTOPUS (dispositivo respiratorio auxiliar de emergencia)

El octopus se suele considerar una segunda etapa auxiliar de emergencia para ser utilizada por el buceador en caso de necesidad (como avería de la segunda etapa principal).

ADVERTENCIA

Solo es posible utilizar los equipos SCUBA que cumplan la norma EN250:2014 con un regulador marcado con «EN250A» o «EN250A>10°C» como dispositivo de reserva por más de un buceador a la vez.

ADVERTENCIA

Si el equipo SCUBA se configura para ser usado por más de un buceador a la vez, no se deberá utilizar a profundidades mayores de 30 m ni a una temperatura del agua inferior a 4 °C si tiene la marca «EN250A», ni inferior a 10 °C si tiene la marca «EN250A>10°C».

La marca EN250A se encuentra en la primera y segunda etapas del regulador MK25EVO/S620Ti. La máscara FM2 lleva la marca EN250.

2.3 Notas importantes

Para su protección, cuando utilice el equipo de soporte vital SCUBAPRO, le rogamos que preste atención a lo siguiente:

1. Utilice este equipo de acuerdo con las instrucciones que contiene este manual y después de haber leído y entendido completamente todas las instrucciones y advertencias.
2. La utilización del equipo está limitada a los usos descritos en este manual o para aplicaciones aprobadas por escrito por SCUBAPRO.
3. Las botellas deberán llenarse solamente con aire comprimido atmosférico, según la norma EN 12021. Si hay humedad en la botella, además de causar corrosión en la misma, podría provocar congelamiento y consecuentemente un mal funcionamiento del regulador durante las inmersiones realizadas en condiciones de baja temperatura (inferior a 10 °C/50 °F). Las botellas deben transportarse de conformidad con las normativas locales previstas para el transporte de artículos peligrosos. La utilización de la botella está sujeta a las leyes que regulan el uso de gases y aire comprimido.
4. El equipo debe ser revisado por un técnico autorizado de SCUBAPRO con la frecuencia prescrita. Las tareas de mantenimiento se deben documentar. En caso de reparaciones durante el mantenimiento, solo se deben utilizar piezas de recambio de SCUBAPRO.

5. Si el equipo se somete a reparaciones o mantenimiento sin cumplir los procedimientos aprobados por SCUBAPRO o por parte de personal no cualificado o certificado por SCUBAPRO, o si el equipo se utiliza de formas y con fines distintos a aquellos para los que fue expresamente diseñado, la responsabilidad por el uso correcto y seguro del equipo se transferirá al propietario/usuario.
6. La respiración debe ser continua, sin contener el aliento.
7. Todas las inmersiones se deben planificar y realizar de modo que, al finalizar, el buceador todavía tenga una reserva de aire razonable para casos de emergencia. La cantidad sugerida es generalmente de 50 bares.
8. Si el equipo de SCUBA se utilizará en aguas frías (temperatura menor a 10 °C/50 °F), será necesario utilizar un regulador apto para dichas temperaturas.

ADVERTENCIA

Las inmersiones en aguas frías requieren un equipo y técnicas especiales. Antes de bucear en aguas frías, le recomendamos que reciba la formación adecuada por parte de un organismo de certificación reconocido.

9. El contenido de este manual está basado en la última información disponible en el momento de la impresión. SCUBAPRO se reserva el derecho a realizar cambios en cualquier momento.

SCUBAPRO rechaza toda responsabilidad por los daños derivados del incumplimiento de las instrucciones contenidas en este manual. Estas instrucciones no amplían la garantía ni las responsabilidades establecidas por los términos de venta y entrega de SCUBAPRO.

A fin de mantener la garantía, el mantenimiento lo debe llevar a cabo un técnico cualificado de SCUBAPRO, que deberá mantener un registro de las tareas de mantenimiento realizadas. Para más información, póngase en contacto con un distribuidor autorizado de SCUBAPRO.

3. CARACTERÍSTICAS GENERALES

ADVERTENCIA

Solo la combinación de regulador MK25EVO/S620Ti está certificada para su montaje y uso en la máscara facial FM2.

Las únicas configuraciones de MK25EVO/S620Ti certificadas con FM2 son exclusivamente las que incorporan latiguillos estándar SCUBAPRO de 75 cm, sin rótulas ni codos accesorios.

La válvula de admisión de aire para los períodos en superficie (figura 1-B) permite, mediante la apertura de la válvula, evitar el consumo de aire útil para la inmersión: basta con cerrar la válvula de admisión de aire durante el tiempo en superficie para empezar a respirar desde la segunda etapa e iniciar la inmersión.

La máscara FM2 dispone de una válvula de drenaje de agua bajo la barbilla, para un drenaje del agua especialmente eficaz y natural. La configuración original y certificada está equipada con un tubo de protección de la válvula de drenaje (figura 1-C).

Este tubo impide el flujo libre desde la segunda etapa durante el buceo, causado por la diferencia de presión hidrostática generada, en determinadas condiciones, por la posición relativa de la fuente de aire.

ADVERTENCIA

La retirada del tubo de protección de la válvula de drenaje de agua constituye un cambio en la configuración certificada e implica la pérdida de conformidad con la norma de certificación europea.

La máscara FM2 dispone de conexiones para el montaje de accesorios, incluido el ordenador de buceo HUD de SCUBAPRO (los kits para el montaje de accesorios están disponibles por separado).

Para más detalles sobre las características y el uso, consulte la sección USO.

4. USO

4.1 Preparación para el buceo - advertencias importantes antes del uso

En la parte frontal de la máscara se encuentra la conexión diseñada para alojar la segunda etapa.

El grupo de componentes necesarios para conectar la segunda etapa ya está montado en esta conexión (figuras 1 y 2).

Este grupo, atornillado al cuerpo (D), está compuesto por un anillo (A), una arandela (E), un espaciador (G) y un manguito de goma (F).

Para montar la segunda etapa, proceda de la manera siguiente.

Retire la boquilla de la segunda etapa tras abrir la correa que la sujeta.

Desenrosque por completo el anillo (A), manteniendo los tres componentes, anillo (A), espaciador (G) y manguito (F) premontados como en la figura 3.1, mientras la arandela (E) permanece en su posición en el cuerpo (D).

Asegúrese de que la arandela (E) está montada de forma que las dos nevaduras de sellado queden orientadas hacia la goma de la faldilla (ampliación 2.1).

Introduzca la segunda etapa dentro del manguito de goma (F).

A continuación, utilice la correa suministrada (H) para fijar la segunda etapa en el manguito de goma en el que se inserta la segunda etapa, asegurándose de apretarla adecuadamente.

Vuelva a montar todo el conjunto en la máscara facial, enroscando la anilla (A) y apretándola hasta el tope para garantizar la conexión segura de todo el conjunto (figura 4), asegurándose de que el cuerpo no gira mientras se enrosca, comprobando que el pequeño triángulo visible en la parte posterior del cuerpo (D) permanece orientado hacia arriba, como en la figura 3.2.

ADVERTENCIA

Al realizar las operaciones preliminares de montaje, compruebe siempre que ha apretado correctamente el grupo de conexión de la segunda etapa y la correa suministrada que sujeta la propia segunda etapa. Un fallo o un ajuste incorrecto puede ser muy peligroso durante la inmersión y provocar accidentes y lesiones, incluso mortales.

Si la lente empieza a empañarse, utilice la solución antiempañamiento de SCUBAPRO (P/N 24.090.000) en la superficie interna y, a continuación, enjuague la máscara a fondo en el agua (si la máscara es nueva, repita esta operación tres veces).

Nunca utilice disolventes o productos de limpieza como alcohol, etc. Si es necesario, utilice solo jabón líquido.

ADVERTENCIA

Se recomienda ponerse el equipo y la máscara facial completa en la superficie antes de bucear.

4.2 Buceo

Antes de ponerse el FM2/MK25EVO/S620Ti, examínelo para asegurarse de que todas las piezas están en condiciones óptimas para una inmersión.

Compruebe todas las hebillas, correas, fijación de la segunda etapa, montura y máscara.

Colóquese la máscara y compruebe que no se produce empañamiento y que puede ecuilibrar.

ADVERTENCIA

No bucee sin haber comprobado antes el buen estado y el correcto funcionamiento del equipo y del FM2/MK25EVO/S620Ti.

Si observa algún defecto, daño o manipulación, póngase en contacto de inmediato con un técnico de servicio autorizado de SCUBAPRO.

ADVERTENCIA

No salte al agua cara abajo ni deje caer la máscara contra objetos puntiagudos: los impactos fuertes podrían romper las lentes y provocar lesiones en el usuario.

Una vez realizadas las comprobaciones preliminares, póngase la máscara FM2/MK25EVO/S620Ti ajustando los cinco extremos de las correas y apriete las cinco correas individualmente simplemente tirando de cada extremo poco a poco, hasta alcanzar el ajuste óptimo de la máscara en su cara. (figura 5.1)

Para facilitar el ajuste, puede retirar temporalmente los extremos de las correas de sus trabillas.

Para aflojarse o quitarse la máscara, levante ligeramente las lengüetas de la hebilla mientras tira de las correas inferiores correspondientes (figura 5.2).

ADVERTENCIA

Más allá de los 2 metros (6 pies) de profundidad, en apnea, la presión empuja la máscara contra la cara. Cuando se utiliza en una configuración certificada, basta con respirar normalmente para evitar problemas.

ADVERTENCIA

Para evitar la peligrosa situación de un tímpano aplastado mientras bucea, pellizquese la nariz con los dedos y sople con la boca cerrada para empujar el aire hacia el interior de la pared del tímpano.

Durante las paradas en superficie puede utilizar la válvula de admisión de aire de superficie incluida en la máscara desenroscando el tapón roscado (figura 1-B) para respirar aire atmosférico sin utilizar aire de las botellas.

Antes de bucear, vuelva a enroscar el tapón por completo para sellar de nuevo la máscara.

ADVERTENCIA

Antes de bucear, asegúrese de que la válvula de admisión de aire para su uso en superficie está cerrada y la máscara está sellada para evitar que entre agua y la inunde.

ADVERTENCIA

SCUBAPRO recomienda disponer siempre de un sistema de rescate de reserva: regulador completo con primera y segunda etapas no conectadas a la máscara FM2/MK25EVO/S620Ti, etc. SCUBAPRO también recomienda llevar una máscara de repuesto.

ADVERTENCIA

No es posible quitarse y volver a ponerse el FM2 mientras se bucea. Si es necesario retirar el FM2 bajo el agua, no vuelva a colocarlo. Utilice una máscara y reguladores de repuesto y comience a ascender de inmediato.

5. CUIDADOS CUANDO NO ESTÁN EN USO

Enjuague bien la máscara con agua dulce después de cada inmersión, en especial si se realiza en agua clorada.

ADVERTENCIA

En particular, si el FM2/MK25EVO/S620Ti se ha utilizado en agua contaminada, asegúrese de enjuagarlo y limpiarlo a fondo.

5.1 Desinfección

SCUBAPRO recomienda el uso del limpiador McNett Revivex. Utilice el producto siguiendo el procedimiento de dilución del envase.

ADVERTENCIA

No utilice disolventes ni detergentes como alcohol, etc.

5.2 Almacenamiento

Déjelo secar en un lugar fresco y protegido de la luz solar, colocándolo de forma que escurra el agua.

Una vez seca, guarde la máscara protegida de la luz solar en un lugar seco y a temperatura ambiente.

LÍMITES DE TEMPERATURA -10 °C / 60 °C

6. MANTENIMIENTO

Las operaciones que vayan más allá de las descritas en este manual no deben ser realizadas por el usuario, sino por un técnico cualificado y autorizado de SCUBAPRO.

La máscara FM2 debe ser sometida a revisión de mantenimiento por parte de un técnico autorizado de SCUBAPRO cada 2 años. La revisión es obligatoria para preservar la garantía. Para el mantenimiento de los reguladores, consulte el manual de reguladores de SCUBAPRO.

Consulte las condiciones de la garantía de Johnson Outdoors. También puede realizar el mantenimiento a través de los distribuidores autorizados SCUBAPRO identificados por el distintivo SELECTED DEALER SCUBAPRO o visitando www.scubapro.com.

1. AVERTISSEMENTS IMPORTANTS

AVERTISSEMENT

Vous devez entièrement lire et comprendre ce manuel avant d'utiliser le produit. Il vous est conseillé de conserver ce manuel en votre possession pendant la vie entière de votre produit.

AVERTISSEMENT

Lorsque vous plongez, vous devez suivre les règles et appliquer les compétences enseignées par un établissement habilité à délivrer les brevets de plongée. Avant de prendre part à une quelconque activité de plongée, il est obligatoire d'avoir suivi avec succès un cycle d'enseignement de la plongée couvrant à la fois les aspects théoriques et techniques de la plongée avec un masque facial.

AVERTISSEMENT

Ce manuel d'instructions ne remplace pas un cycle d'enseignement de la plongée.

AVERTISSEMENT

Pour plus de détails sur les caractéristiques, l'utilisation et l'entretien du détendeur MK25EVO/S620Ti, reportez-vous au manuel des détendeurs SCUBAPRO.

2. CERTIFICATION EUROPÉENNE

Le masque FM2 et le détendeur MK25EVO/S620Ti constituent ensemble le masque facial FM2/MK25EVO/S620Ti.

Le masque facial SCUBAPRO FM2/MK25EVO/S620Ti a obtenu la certification européenne, conformément aux règles européennes qui régissent les conditions de mise sur le marché et les exigences fondamentales de sécurité pour les équipements de protection individuelle (EPI) de troisième catégorie. Cette certification a été délivrée par l'organisme notifié RINA, dans le cas d'une utilisation avec les modèles de détendeur SCUBAPRO inclus dans ce manuel, et uniquement ceux-ci.

Les tests de certification ont été effectués suivant la norme harmonisée EN250:2014, afin de garantir la conformité avec les exigences fondamentales de santé et de sécurité édictées par le règlement européen 2016/425/EU.

Les marquages CE et EN250 sur le produit indiquent sa conformité avec lesdites exigences.

Le numéro 0474 est le code d'identification de RINA, Via Corsica, 12, 16128 Genova (GE), Italie, l'organisme notifié qui assure la conformité et le respect des normes de fabrication d'après les modules B et D du règlement européen 2016/425/EU. Le marquage 232 bar et 300 bar sur le premier étage indique la pression d'alimentation maximale de l'EPI.

Le fabricant des SCUBAPRO FM2/MK25EVO/S620Ti est SCUBAPRO EUROPE s.r.l. Via Tangoni 16, 16030 Casarza Ligure (GE). SCUBAPRO EUROPE s.r.l. dispose d'un système de gestion de la qualité homologué par RINA suivant la norme ISO9001:2015.

2.1 Norme EN 250:2014 - Définition et exigences

Les exigences et les tests définis par la norme EN 250: 2014 visent à garantir un niveau minimal de sécurité lors du fonctionnement des équipements de respiration sous-marine. En Europe, la norme EN 250:2014 définit les exigences techniques minimales auxquelles le scaphandre de plongée autonome doit se conformer. Il s'agit de la révision la plus récente de la norme EN 250.

2.2 Limites posées par la norme EN 250:2014

Le scaphandre de plongée autonome peut être constitué de composants séparés tels que : bouteille(s), détendeur(s), manomètre de pression et masque.

L'utilisation de ce scaphandre de plongée autonome est limitée à la plongée sous-marine.

Le masque facial FM2/MK25EVO/S620Ti est composé d'un masque intégrant un détendeur, et constitue donc un EPI qui protège les yeux du contact avec l'eau et les voies respiratoires soumis à l'effet de la pression, et qui fournit de l'air respirable dans les conditions d'utilisation nécessaires au cours de la plongée.

Le FM2/MK25EVO/S620Ti peut être utilisé avec tout élément de scaphandre de plongée autonome conforme à la directive 2016/425 et la norme EN 250: 2014. L'air contenu dans les bouteilles doit être conforme aux exigences applicables à l'air respirable défini par la norme EN 12021. La profondeur de certification est de 50 mètres (164 pieds). Dans tous les cas, les plongeurs doivent toujours respecter les limites édictées par les règlements locaux de l'endroit dans lequel ils pratiquent la plongée.

IMPORTANT

La certification européenne de l'EPI FM2/MK25EVO/S620Ti porte sur l'ensemble du produit, à savoir :

- 1) Un masque SCUBAPRO FM2.
- 2) Un deuxième étage S620Ti assemblé à l'avant du masque FM2 et raccordé à un premier étage MK25EVO.

⚠ AVERTISSEMENT

Le masque FM2 n'est certifié qu'avec les modèles de détendeurs spécifiés dans ce manuel, avec lesquels les tests de certification européenne ont été effectués, conformément à la norme EN250:2014. L'utilisation du FM2 avec d'autres détendeurs n'entre pas dans le champ d'application de la certification.

⚠ AVERTISSEMENT

Toute modification de la configuration du FM2/MK25EVO/S620Ti qui n'est pas incluse dans la configuration européenne certifiée telle que décrite dans ce manuel, y compris par exemple le flexible basse pression fourni avec le détendeur, entraîne la perte de conformité avec la norme de certification européenne.

La pression d'utilisation maximale dépend du raccord utilisé pour le détendeur MK25 EVO/S620Ti : 300 bar pour le raccord DIN et 232 bar pour le raccord par étrier (INT), selon le marquage sur le premier étage.

Reportez-vous au manuel des détendeurs SCUBAPRO pour plus de détails techniques et d'informations sur le détendeur.

Le FM2/MK25EVO/S620Ti est certifié pour une utilisation en eau froide, c'est-à-dire à des températures inférieures à 10 °C (50°F).

2.2.1 OCTOPUS (appareil de respiration auxiliaire d'urgence)

L'octopus est généralement considéré comme un deuxième étage auxiliaire d'urgence, qui sera utilisé par le plongeur en cas de besoin (par exemple en cas de mauvais fonctionnement du deuxième étage principal).

⚠ AVERTISSEMENT

Seuls les scaphandres de plongée autonomes respectant la norme EN250:2014 et intégrant un détendeur marqué « EN250A » ou « EN250A>10 °C » peuvent être utilisés comme appareil de secours par plus d'un plongeur à la fois.

⚠ AVERTISSEMENT

Si le scaphandre de plongée autonome est configuré pour et utilisé par plus d'un plongeur simultanément, il ne doit pas être utilisé à des profondeurs supérieures à 30 m et dans des eaux de température inférieure à 4 °C s'il est marqué « EN250A », et inférieure à 10 °C s'il est marqué « EN250A>10 °C ».

Le marquage EN250A se trouve sur les premier et deuxième étages du détendeur MK25EVO/S620Ti. Le masque FM2 est marqué EN250.

2.3 Remarques importantes

Pour votre protection, lorsque vous utilisez un équipement vital SCUBAPRO, nous attirons votre attention sur les points suivants :

1. Utilisez l'équipement suivant les instructions contenues dans ce manuel, et uniquement après avoir entièrement lu et compris toutes les instructions et tous les avertissements.
2. L'utilisation de cet équipement est limitée aux usages décrits dans ce manuel, ou aux applications approuvées par écrit par SCUBAPRO.
3. Les bouteilles doivent uniquement être gonflées à l'air atmosphérique comprimé, suivant la norme EN 12021. Si de l'humidité était présente dans la bouteille, en plus de provoquer une corrosion de celle-ci, elle pourrait provoquer un givrage, et un dysfonctionnement du détendeur en résulterait lors des plongées dans des situations d'eau froide (températures inférieures à 10 °C (50 °F)). Les bouteilles doivent être transportées dans le respect des règles locales édictées pour le transport des objets dangereux. L'utilisation des bouteilles est sujette aux lois régissant l'utilisation des gaz et de l'air comprimé.
4. L'équipement doit être révisé par un technicien agréé SCUBAPRO à la fréquence indiquée. Les révisions doivent être documentées. Lors d'éventuelles réparations ou des opérations d'entretien, seules des pièces de rechange SCUBAPRO doivent être utilisées.

5. Si l'équipement devait être réparé ou entretenu sans respecter les procédures approuvées par SCUBAPRO, ou par du personnel non formé ou non agréé par SCUBAPRO, ou s'il était utilisé d'une manière ou pour des usages autres que ceux spécifiquement désignés, la responsabilité du fonctionnement correct et sûr du matériel serait transférée au propriétaire/à l'utilisateur.
6. La respiration doit être continue, vous ne devez pas retenir votre respiration.
7. Toutes les plongées doivent être planifiées et effectuées de telle manière qu'à la fin de la plongée, le plongeur dispose encore d'une réserve d'air raisonnable en cas d'urgence. La quantité suggérée correspond généralement à une pression de 50 bars (725 psi).
8. Si l'équipement de plongée autonome doit être utilisé en eaux froides (à une température inférieure à 10 °C – 50 °F), il est nécessaire d'utiliser un détendeur adapté à de telles températures.

AVERTISSEMENT

La plongée en eaux froides requiert un équipement et des techniques particuliers. Avant de plonger en eaux froides, nous vous conseillons fortement d'effectuer une formation adéquate dans un établissement de formation reconnu.

9. Le contenu de ce manuel est basé sur les informations les plus récentes au moment de la mise sous presse. SCUBAPRO se réserve le droit d'apporter tout changement à tout moment. SCUBAPRO refuse toute responsabilité pour des dommages qui seraient provoqués par un non-respect des instructions contenues dans ce manuel. Ces instructions n'ont pas pour effet d'étendre la garantie ou les responsabilités décrites par SCUBAPRO dans les termes et conditions de vente et de livraison. De manière à permettre le maintien de la garantie, les opérations d'entretien doivent être effectuées par un technicien qualifié SCUBAPRO, et un carnet d'entretien doit être tenu. Pour plus de détails, contactez un distributeur agréé SCUBAPRO.

3. CARACTÉRISTIQUES GÉNÉRALES

AVERTISSEMENT

Seule la combinaison détendeur MK25EVO/S620Ti est certifiée pour l'assemblage et l'utilisation avec le masque FM2.

Les configurations du MK25EVO/S620Ti certifiées avec le FM2 sont exclusivement celles qui utilisent des flexibles standard SCUBAPRO de 75 cm, sans accessoires de type pivot ou coudes.

La soupape d'admission d'air pour les périodes en surface (illustration 1-B) permet, en ouvrant la soupape, d'éviter la consommation d'air utile pour la plongée : il suffit de fermer la soupape d'admission d'air pour les périodes en surface pour commencer à respirer à partir du deuxième étage et entamer la plongée.

Le masque FM2 est doté d'une soupape d'évacuation de l'eau située sous le menton, permettant une évacuation particulièrement efficace et naturelle de l'eau. La configuration originale et certifiée est équipée d'un tube de protection de la soupape d'évacuation (illustration 1-C).

Ce tube empêche le débit continu du deuxième étage pendant la plongée, causé par la différence de pression hydrostatique générée, dans certaines conditions, par la position relative de la source d'air.

AVERTISSEMENT

Le retrait du tube de protection de la soupape d'évacuation de l'eau constitue une modification de la configuration certifiée et implique la perte de la conformité à la norme de certification européenne.

Le masque FM2 est doté de connexions permettant d'assembler des accessoires, notamment l'ordinateur de plongée SCUBAPRO HUD (les kits d'assemblage des accessoires sont disponibles séparément).

Pour plus de détails sur les caractéristiques et l'utilisation, reportez-vous à la section UTILISATION.

4. UTILISATION

4.1 Préparation à la plongée - Avertissements importants avant utilisation

Sur la partie avant du masque se trouve la connexion destinée à accueillir le deuxième étage.

Le groupe de composants nécessaires au raccordement du deuxième étage est déjà assemblé sur cette connexion (illustrations 1 et 2).

Cet ensemble, vissé sur le corps (D), est composé d'un volant (A), d'une rondelle (E), d'une rondelle d'espacement (G) et d'une gaine en caoutchouc (F).

Procédez comme suit pour assembler le deuxième étage.

Retirez l'embout du deuxième étage après avoir ouvert la sangle qui le maintient en place.

Dévissez complètement le volant (A), sans désassembler l'ensemble composé par le volant (A), la rondelle d'espacement (G) et la gaine en caoutchouc (F) comme illustré en 3.1, et laissez la rondelle (E) en place sur le corps (D).

Veillez à positionner la rondelle (E) de sorte que les deux nervures d'étanchéité soient orientées vers le caoutchouc de la jupe (gros plan 2.1).

Insérer le deuxième étage sur la gaine en caoutchouc (F).

Utilisez ensuite la sangle fournie (H) pour fixer le deuxième étage dans la gaine en caoutchouc où le deuxième étage est inséré, en veillant à suffisamment le serrer.

Fixez l'ensemble sur le masque en vissant le volant (A) et en le serrant au maximum de manière à garantir le bon raccordement de l'ensemble (illustration 4), et assurez-vous que le corps ne tourne pas pendant le vissage en vérifiant que le petit triangle visible à l'arrière de celui-ci (D) reste orienté vers le haut, comme dans l'illustration 3.2.

AVERTISSEMENT

Lors des opérations préliminaires de montage, vérifiez toujours que vous avez correctement serré l'ensemble du raccord du deuxième étage et la sangle fournie qui maintient le deuxième étage.

Un serrage insuffisant ou défectueux peut s'avérer très dangereux pendant la plongée et provoquer des accidents et des blessures, voire la mort.

Si la vitre s'embue, utilisez la solution antibuée SCUBAPRO (référence 24.090.000) sur la surface intérieure, puis rincez entièrement le masque dans l'eau (répétez trois fois cette opération si le masque est neuf).

N'utilisez jamais de solvants ou de nettoyeurs tels que l'alcool, etc. Si nécessaire, n'utilisez que du savon liquide.

AVERTISSEMENT

Il est recommandé d'enfiler l'équipement et le masque intégral en surface avant la plongée.

4.2 Plongée

Avant d'enfiler le FM2/MK25EVO/S620Ti, examinez-le pour vous assurer que toutes les pièces sont dans un état optimal pour une plongée.

Vérifiez toutes les boucles, les sangles, la fixation du deuxième étage, la monture et le masque.

Mettez le masque en place et vérifiez qu'il n'y a pas de formation de buée et que vous êtes en mesure d'équilibrer la pression.

AVERTISSEMENT

Ne plongez pas sans avoir préalablement vérifié le bon état et le bon fonctionnement de l'équipement et du FM2/MK25EVO/S620Ti.

Si vous remarquez des défauts, des dommages ou des altérations, contactez immédiatement un technicien agréé par SCUBAPRO.

AVERTISSEMENT

Ne plongez pas dans l'eau la tête la première et ne laissez pas tomber le masque sur un objet pointu, l'impact pourrait briser les vitres et provoquer des blessures à la personne qui le porte.

Une fois les vérifications préliminaires effectuées, positionnez le masque FM2/MK25EVO/S620Ti et ajustez les cinq extrémités des sangles et en serrant ces dernières individuellement. Pour ce faire, tirez simplement sur chaque extrémité petit à petit, jusqu'à atteindre l'ajustement optimal du masque sur votre visage. (Illustration 5.1)

Pour faciliter le réglage, vous pouvez temporairement retirer les extrémités des sangles de leurs boucles.

Pour desserrer ou retirer le masque, soulevez légèrement les languettes de la boucle tout en tirant sur les sangles inférieures correspondantes (illustration 5.2).

AVERTISSEMENT

Au-delà de 2 mètres de profondeur, en plongée libre, la pression pousse le masque contre le visage.

Lorsqu'il est utilisé dans une configuration certifiée, il suffit de respirer normalement pour éviter tout problème.

AVERTISSEMENT

Pour éviter de vous abîmer les tympans en plongée, pincez votre nez avec vos doigts et soufflez avec la bouche fermée pour pousser l'air à l'intérieur de la paroi du tympan.

Lorsque vous êtes à la surface, vous pouvez utiliser la soupape d'admission d'air de surface fournie sur le masque en dévissant le bouchon fileté (illustration 1-B) pour respirer l'air extérieur sans utiliser l'air des bouteilles. Avant la plongée, revisez complètement le bouchon pour assurer à nouveau l'étanchéité du masque.

AVERTISSEMENT

Avant la plongée, assurez-vous que la soupape d'admission d'air pour la surface est fermée et que le masque est étanche pour éviter que de l'eau ne pénètre dans le masque et ne l'inonde.

AVERTISSEMENT

SCUBAPRO recommande de toujours disposer d'un système complet de secours : détendeur entier avec premier et deuxième étages non raccordés au masque FM2/MK25EVO/S620Ti, etc. SCUBAPRO recommande également d'emporter un masque de rechange.

AVERTISSEMENT

Il n'est pas possible d'enlever le FM2 et de le remettre en place pendant la plongée. S'il est nécessaire de retirer le FM2 sous l'eau, ne le remettez pas en place. Utilisez un masque et un détendeur de rechange et commencez immédiatement à remonter.

5. SOINS DES DÉTENDEURS LORSQU'ILS NE SONT PAS UTILISÉS

Rincez soigneusement le masque à l'eau douce après chaque plongée, surtout si elle est chlorée.

AVERTISSEMENT

Si le FM2/MK25EVO/S620Ti a été utilisé dans de l'eau contaminée, veillez à le rincer et à le nettoyer soigneusement.

5.1 Désinfection

SCUBAPRO recommande le nettoyant McNett Revivex. Utilisez le produit suivant la procédure et avec la dilution prescrites sur son emballage.

AVERTISSEMENT

N'utilisez pas de solvants ou de détergents tels que l'alcool, etc.

5.2 Rangement

Laissez sécher dans un endroit frais et à l'abri de la lumière du soleil, en le plaçant de manière à ce que l'eau s'écoule.

Une fois sec, conservez le masque à l'abri de la lumière du soleil, dans un endroit sec et à température ambiante.

PLAGE DE TEMPÉRATURE -10 °C à 60 °C

6. ENTRETIEN

Les opérations autres que celles décrites dans ce manuel ne doivent pas être effectuées par l'utilisateur, mais par un technicien qualifié et agréé par SCUBAPRO.

Le masque FM2 doit être révisé par un technicien agréé SCUBAPRO tous les 2 ans. La révision est obligatoire pour préserver la garantie. Pour l'entretien des détendeurs, référez-vous au manuel des détendeurs SCUBAPRO.

Veillez vous reporter aux conditions de garantie de Johnson Outdoors. L'entretien peut être effectué chez les distributeurs agréés SCUBAPRO identifiés par le logo DISTRIBUTEUR SÉLECTIONNÉ SCUBAPRO UWATEC ou listés sur www.scubapro.com.

1. VAŽNA UPOZORENJA

UPOZORENJE

Ovaj priručnik potrebno je pročitati i razumjeti u potpunosti prije upotrebe proizvoda. Preporučuje se da sačuvate ovaj priručnik za vrijeme cijelog radnog vijeka vašeg proizvoda.

UPOZORENJE

Za vrijeme ronjenja morate se pridržavati pravila i primijeniti vještine koje ste dobili od ovlaštene agencije za ronjenje s bocama. Prije bilo kakvog sudjelovanja u ronilačkim aktivnostima, važno je pažljivo završiti tečaj ronjenja koji pokriva teoretske i tehničke aspekte ronjenja s maskom za cijelo lice.

UPOZORENJE

Ovaj priručnik s uputama ne zamjenjuje tečaj ronjenja.

UPOZORENJE

Pojedinosti o značajkama, uporabi, njezi i održavanju regulatora MK25EVO/S620Ti potražite u priručniku za regulatore SCUBAPRO.

2. EUROPSKA CERTIFIKACIJA

Prednji dio FM2 i regulator MK25EVO/S620Ti zajedno sačinjavaju masku za cijelo lice FM2/MK25EVO/S620Ti. Maska za cijelo lice SCUBAPRO FM2/MK25EVO/S620Ti dobila je europski certifikat prema europskim propisima koji reguliraju uvjete za stavljanje na tržište i osnovne sigurnosne zahtjeve za treću kategoriju Osobne zaštitne opreme (OZO). Certifikat je izdalo ovlašteno tijelo RINA, uz korištenje samo modela regulatora SCUBAPRO uključenih u ovaj priručnik.

Certifikacijski testovi provedeni su u skladu s usklađenom normom EN250:2014 kako bi se osigurala usklađenost s temeljnim zahtjevima za zdravlje i sigurnost postavljenim europskom uredbom 2016/425/EU.

Oznake CE i EN250 na proizvodu označavaju usklađenost s navedenim zahtjevima.

Broj 0474 je identifikacijski broj za RINA Via Corsica, 12, 16128 Genova (GE) Italija, ovlaštenog tijela koje ocjenjuje usklađenost i kontrolira proizvodnju, prema modulima B i D, 2016/425/EU. Oznake od 232 bara i 300 bara na prvom stupnju označavaju maksimalni dovodni tlak OZO-a.

Proizvođač SCUBAPRO FM2/MK25EVO/S620Ti je SCUBAPRO EUROPE s.r.l., Via Tangoni 16, 16030 Casarza Ligure (GE) Italija. SCUBAPRO EUROPE s.r.l. ima sustav upravljanja kvalitetom certificiran od strane RINA-e sukladno normi ISO9001:2015.

2.1 Norma EN 250:2014 - značenje i zahtjevi

Zahtjevi i testovi definirani normom EN 250:2014 imaju za cilj jamčiti minimalnu razinu sigurnosti za rad podvodnih aparata za disanje. U Europi, norma EN 250:2014 definira minimalne tehničke zahtjeve koje RONILAČKA OPREMA mora ispunjavati i najnovija je revizija norme EN250.

2.2 Ograničenja prema EN250:2014

Uređaj RONILAČKE OPREME može se sastojati od odvojenih komponenti poput: boce(a), regulatora, manometra i prednjeg dijela.

Uporaba uređaja RONILAČKE OPREME ograničena je na podvodno ronjenje.

Maska za cijelo lice FM2/MK25EVO/S620Ti sastoji se od prednjeg dijela integriranog s regulatorom i stoga je OZO koja štiti oči od dodira s vodom i dišne puteve izložene utjecaju tlaka, opskrbljujući zrak pogodan za disanje pod potrebnim uvjetima uporabe tijekom zarona.

FM2/MK25EVO/S620Ti se može koristiti s dijelovima RONILAČKE OPREME certificiran prema uredbi EU 2016/425 i normi EN 250:2014. Zrak u bocama mora biti u skladu sa zahtjevima za zrak za disanje kako je definirano normom EN 12021. Certificirana dubina je 50 metara (164 stopa). U svakom slučaju, ronici se moraju pridržavati granica koje su lokalnim propisima određene u mjestu ronjenja.

VAŽNO

Europska certifikacija OZO-a FM2/MK25EVO/S620Ti odnosi se na cjeloviti proizvod koji se sastoji od:

- 1) Prednji dio SCUBAPRO FM2.
- 2) S620Ti drugi stupanj sprijeda sastavljen na prednji dio FM2 i spojen na jedan prvi stupanj MK25EVO.

UPOZORENJE

Prednji dio FM2 je certificiran samo s modelima regulatora navedenim u ovom priručniku, s kojima su provedena europska certifikacijska ispitivanja, u skladu s normom EN250:2014.

Uporaba FM2 s drugim regulatorima je izvan opsega certifikacije.

UPOZORENJE

Svaka promjena konfiguracije FM2/MK25EVO/S620Ti koja nije uključena u certificiranu europsku konfiguraciju kako je opisano u ovom priručniku, uključujući na primjer niskotlačno crijevo isporučeno s regulatorom, rezultira gubitkom sukladnosti s europskom certifikacijskom normom.

Maksimalni radni tlak ovisi o priključku korištenog regulatora MK25 EVO/S620Ti: 300 bara za priključak DIN i 232 bara za priključak INT, prema oznaci na prvom stupnju.

Za dodatne tehničke pojedinosti i informacije o regulatoru pogledajte priručnik regulatora SCUBAPRO.

FM2/MK25EVO/S620Ti certificiran je za uporabu u hladnoj vodi, tj. temperaturama ispod 10°C (50°F).

2.2.1 **HOBOTNICA (pomoćni uređaj za disanje u nuždi)**

Hobotnicom se obično smatra pomoćni drugi stupanj za slučaj nužde kojeg roniac koristi u slučaju potrebe (poput kvara primarnog drugog stupnja).

UPOZORENJE

Samo RONILAČKA OPREMA koja je u skladu s normom EN250:2014 s regulatorom označenim s "EN250A" ili "EN250A >10°C" može se koristiti kao uređaj za spašavanje od strane više od jednog ronioca istovremeno.

UPOZORENJE

Ako je RONILAČKA OPREMA konfigurirana za i korištena od više od jednog ronioca istovremeno, tada ne bi smjela biti korištena na dubinama većim od 30 metara te u vodi temperature niže od 4°C ako je označena s "EN250A", te niže od 10°C ako je označena s "EN250A>10°C".

Oznaka EN250A nalazi se na prvom i drugom stupnju regulatora MK25EVO/S620Ti. Prednji dio FM2 ima oznaku EN250.

2.3 **Važne napomene**

Za vašu zaštitu tijekom uporabe SCUBAPRO opreme, molimo obratite pažnju na sljedeće:

1. Opremu koristite prema uputama sadržanim u ovom priručniku i isključivo nakon što ste pročitali i u potpunosti razumjeli sve upute i upozorenja.
2. Uporaba opreme ograničena je na uporabe opisane u ovom priručniku ili za namjene koje je pismeno odobrila tvrtka SCUBAPRO.
3. Boce smiju biti napunjene isključivo atmosferskim komprimiranim zrakom, prema normi EN 12021. Ako se u boci nađe vlaga, osim korozije boce može uzrokovati i smrzavanje te naknadno zatajenje regulatora tijekom ronjenja na niskim temperaturama (niže od 10°C (50°F)). Boce treba prenositi u skladu s lokalnim pravilima transporta opasnih stvari. Uporaba boca mora biti u skladu sa zakonima koji reguliraju uporabu plinova i komprimiranog zraka.
4. Opremu mora pregledavati ovlašteni SCUBAPRO tehničar s propisanom učestalošću. Pregledi moraju biti zabilježeni. Kod popravaka i tijekom održavanja, moraju se koristiti samo SCUBAPRO zamjenski dijelovi.
5. Ako se oprema servisira ili popravlja bez pridržavanja postupaka odobrenih od tvrtke SCUBAPRO, ako ih izvodi osoblje koje nije obučeno i ovlašteno od tvrtke SCUBAPRO ili ako je upotrebljavana na način i u svrhe drukčije od onih za koje je proizvedena, odgovornost za ispravno i sigurno funkcioniranje opreme prelazi na vlasnika/korisnika.
6. Disanje mora biti ujednačeno, bez zadržavanja daha.
7. Svi uroni moraju se planirati i provoditi tako da na kraju zarona roniac još uvijek ima razumnu rezervu zraka za eventualnu uporabu u nuždi. Preporučena količina uobičajeno je 50 bara.
8. Ako će se RONILAČKA oprema koristiti u hladnoj vodi (temperature niže od 10°C (50°F)), potrebno je koristiti regulator prikladan za takve temperature.

⚠ UPOZORENJE

Ronjenje u hladnoj vodi zahtijeva posebnu opremu i tehnike. Prije ronjenja u hladnoj vodi, preporučujemo da prođete odgovarajuću obuku od priznate agencije za obuku.

9. Sadržaj ovog priručnika zasnovan je na najnovijim informacijama dostupnim u vrijeme tiskanja. SCUBAPRO zadržava pravo izmjena bilo kada.

SCUBAPRO odbacuje bilo kakvu odgovornost za štetu uzrokovanu nepridržavanjem s uputama sadržanim u ovom priručniku. Ove upute ne produžuju jamstvo ili odgovornosti navedene u SCUBAPRO uvjetima prodaje i isporuke.

Kako biste zadržali jamstvo, održavanje mora obavljati obučeni SCUBAPRO tehničar a evidenciju o održavanju morate čuvati. Za više detalja obratite se ovlaštenom SCUBAPRO prodavaču.

3. OPĆE KARAKTERISTIKE**⚠ UPOZORENJE**

Samo je kombinacija regulatora MK25EVO/S620Ti certificirana za sastavljanje i uporabu na prednjem dijelu FM2.

Jedine konfiguracije MK25EVO/S620Ti certificirane s FM2 su isključivo one sa standardnim crijevima SCUBAPRO od 75 cm, bez pomoćnih zakretnica ili koljena.

Ventil za dovod zraka za razdoblja na površini (slika 1-B) omogućuje, otvaranjem ventila, izbjegavanje potrošnje dovoda zraka korisne za zaron: jednostavno zatvorite ventil za dovod zraka tijekom razdoblja na površini kako biste započeli disanje iz druge faze i započeli zaron.

Prednji dio FM2 ima ventil za odvod vode ispod brade, za posebno učinkovitu i prirodnu odvodnju vode. Originalna i certificirana konfiguracija opremljena je zaštitnom cijevi odvodnog ventila (slika 1-C).

Ova cijev sprječava slobodan protok iz drugog stupnja tijekom zarona, uzrokovan razlikom u hidrostatskom tlaku koju, pod određenim uvjetima, uzrokuje relativni položaj izvora zraka.

⚠ UPOZORENJE

Uklanjanje zaštitne cijevi ventila za odvod vode predstavlja promjenu certificirane konfiguracije i podrazumijeva gubitak sukladnosti s europskom certifikacijskom normom.

Prednji dio FM2 ima priključke za sastavljanje pribora, uključujući ronilačko računalo SCUBAPRO HUD (kompleti za sastavljanje pribora dostupni su zasebno).

Za pojedinih o značajkama i uporabi, pogledajte odjeljak UPORABA

4. UPORABA**4.1 Priprema za ronjenje – važna upozorenja prije uporabe**

Na prednjem dijelu maske nalazi se priključak predviđen za umetanje drugog stupnja.

Skupina komponenti potrebnih za spajanje drugog stupnja već je sastavljena na ovom priključku (slike 1 i 2).

Ova skupina, učvršćena na tijelo (D), sastoji se od prstena (A), podloške (E), odstojnika (G) i gumene navlake (F).

Za sastavljanje druge faze, postupite na sljedeći način.

Nakon otvaranja remena koji ga drži na mjestu, uklonite nastavak za usta iz drugog stupnja.

Odvrnite prsten (A) u potpunosti, držeći tri dijela, prsten (A), odstojnik (G) i čahuru (F) prethodno sastavljenima kao na slici 3.1, dok podloška (E) ostaje u položaju na tijelu (D).

Provjerite je li podloška (E) sastavljena tako da su dva brtvena rebra okrenuta prema gumi ruba (povećanje 2.1).

Umetnite drugi stupanj unutar gumene navlake (F).

Zatim upotrijebite isporučeni remen (H) kako biste učvrstili drugi stupanj u gumenu navlaku u koju je drugi stupanj umetnut, pazite da dobro zategnete.

Sastavite cijeli sklop natrag na prednji dio, zavrnite prsten (A) i zategnite ga do kraja kako biste osigurali sigurno spajanje cijelog sklopa (slika 4), pazite da se tijelo ne okreće tijekom pričvršćivanja, uvjeravajući se da je mali trokut na stražnjoj strani tijela (D) vidljiv i ostaje okrenut prema gore, kao na slici 3.2.

⚠ UPOZORENJE

Prilikom izvođenja preliminarnih postupaka sastavljanja, uvijek provjerite jeste li pravilno zategnuli spojnu skupinu drugog stupnja i isporučeni remen koji drži sam drugi stupanj.

Kvar ili nepravilno zatezanje može biti vrlo opasno tijekom ronjenja i uzrokovati nesreće i ozljede, čak i smrtonosne.

Ako se staklo počne magliti, na unutarnjoj površini upotrijebite otopinu protiv magljenja SCUBAPRO (P/N 24.090.000), a zatim masku temeljito isperite u vodi (ako je maska nova, ovaj postupak ponovite tri puta). Nikada nemojte koristiti otapala ili sredstva za čišćenje poput alkohola itd. Prema potrebi, koristite samo tekući sapun.

UPOZORENJE

Preporučuje se prije ronjenja staviti opremu i masku za cijelo lice na površinu.

4.2 Ronjenje

Prije nego što stavite FM2/MK25EVO/S620Ti, pregledajte ga kako biste bili sigurni da su svi dijelovi u optimalnom stanju za ronjenje.

Provjerite sve kopče, trake, pričvršćivanja za drugi stupanj, okvir i prednji dio.

Postavite masku i provjerite ima li zamagljenja i možete li ga izjednačiti.

UPOZORENJE

Ne ronite ako prethodno niste provjerili dobro stanje i pravilan rad opreme i FM2/MK25EVO/S620Ti. Ako primijetite bilo kakve nedostatke, oštećenja ili neovlašteno rukovanje, odmah se obratite ovlaštenom serviseru tvrtke SCUBAPRO.

UPOZORENJE

Ne skačite u vodu licem prema dolje i ne bacajte masku na oštre predmete: snažan udar može prouzročiti lom stakla i ozljede korisnika.

Nakon što se obave preliminarnu provjeru, isprobajte masku FM2/MK25EVO/S620Ti podešavajući pet krajeva remena i zatežući pet remena pojedinačno jednostavnim povlačenjem svakog kraja malo po malo, dok ne postignete optimalno nošenje maske na licu. (slika 5.1)

Kako biste olakšali podešavanje, možete privremeno ukloniti krajeve remena iz njihovih petlji.

Da biste olabavili ili uklonili masku, lagano podignite jezičke kopče dok povlačite odgovarajućeg donjeg remena (slika 5.2).

UPOZORENJE

Preko dubine od 2 metra, pri ronjenju na dah, tlak gura masku na lice. Kada se koristi u certificiranoj konfiguraciji, dovoljno je disati normalno kako bi se izbjegli problemi.

UPOZORENJE

Kako biste izbjegli opasno stanje nagnječenja bubnjića tijekom ronjenja, uhvatite nos prstima i puhnite zatvorenih usta kako biste istisnuli zrak u unutrašnjost stjenke bubnjića.

Tijekom zastanaka na površini možete koristiti ventil za dovod površinskog zraka koji se nalazi na maski odvrtanjem navojnog čepa (slika 1-B) kako biste udahnuili atmosferski zrak bez korištenja zraka iz cilindra.

Prije ronjenja, zavrnite čep u potpunosti kako biste ponovno zabrtvili masku.

UPOZORENJE

Prije ronjenja, provjerite je li ventil za dovod zraka za površinsku uporabu zatvoren i maska zabrtvljena kako bi se spriječilo da voda uđe i preplavi masku.

UPOZORENJE

SCUBAPRO preporučuje da uvijek imate na raspolaganju rezervni sustav za spašavanje: cijeli regulator s prvim i drugim stupnjevima koji nisu spojeni na masku FM2/MK25EVO/S620Ti itd. SCUBAPRO također preporučuje da sa sobom nosite rezervnu masku.

UPOZORENJE

Tijekom zarona nije moguće ukloniti FM2 i ponovno ga staviti. Ako je potrebno FM2 ukloniti pod vodom, nemojte ga ponovno stavljati. Upotrijebite rezervnu masku i regulatore i odmah počnite s izronom.

5. NJEGA VAN UPORABE

Nakon svakog zarona masku temeljito isperite slatkom vodom, osobito ako se roni u kloriranoj vodi.

UPOZORENJE

Posebno ako je FM2/MK25EVO/S620Ti korišten u kontaminiranoj vodi, svakako ga temeljito isperite i očistite.

5.1 *Dezinfekcija*

SCUBAPRO preporučuje McNett Revivex Cleaner. Koristite u skladu s postupkom i razrjeđujući kako je navedeno na pakiranju.

UPOZORENJE

Nemojte koristiti otapala ili deterđente poput alkohola itd.

5.2 *Pohrana*

Ostavite da se osuši na hladnom mjestu, podalje od sunčeve svjetlosti, tako da voda otječe.

Nakon što se osuši, pohranite masku podalje od sunčeve svjetlosti na suho mjesto na sobnoj temperaturi.

TEMPERATURNNA OGRANIČENJA -10°C / 60°C

6. ODRŽAVANJE

Radnje izvan onih opisanih u ovom priručniku ne smije obavljati korisnik već kvalificirani i ovlašteni tehničar SCUBAPRO.

Prednji dio FM2 mora servisirati ovlašteni tehničar SCUBAPRO svake 2 godine. Remont je obavezan radi očuvanja jamstva. Za održavanje vezano uz regulatore pogledajte priručnik regulatora SCUBAPRO.

Molimo pogledajte jamstvene uvjete tvrtke Johnson Outdoors. Servis je dostupan putem ovlaštenih dobavljača SCUBAPRO koje identifikira oznaka "SELECTED SCUBAPRO DEALER" (OVLAŠTENI SCUBAPRO DOBAVLJAČ) ili posjetom www.scubapro.com

1. PERINGATAN PENTING

PERINGATAN

Panduan ini harus dibaca dan dipahami sepenuhnya sebelum menggunakan produk. Disarankan agar Anda menyimpan manual ini selama masa pakai BC Anda.

PERINGATAN

Saat menyelam Anda harus mengikuti aturan dan menerapkan keterampilan yang diajarkan oleh lembaga sertifikasi selam scuba yang diakui. Sebelum mengambil bagian dalam aktivitas menyelam apa pun, merupakan kewajiban untuk berhasil menyelesaikan kursus scuba diving yang mencakup aspek teoretis dan teknis dari menyelam dengan masker full face.

PERINGATAN

Panduan instruksi ini tidak menggantikan kursus instruksi menyelam!

PERINGATAN

Untuk detail tentang fitur, penggunaan, perawatan, dan pemeliharaan regulator MK25EVO/S620Ti, lihat manual regulator SCUBAPRO.

2. SERTIFIKASI EROPA

Penutup wajah FM2 dan regulator MK25EVO/S620Ti bersama-sama membentuk masker full-face FM2/MK25EVO/S620Ti.

Masker full-face SCUBAPRO FM2/MK25EVO/S620Ti telah memperoleh sertifikasi Eropa menurut peraturan Eropa yang mengatur ketentuan untuk memasarkan dan persyaratan keselamatan mendasar untuk Alat Pelindung Diri (APD) kategori ketiga. Sertifikasi tersebut dikeluarkan oleh badan yang ditunjuk RINA, dengan penggunaan satu-satunya model regulator SCUBAPRO yang disertakan dalam manual ini.

Uji sertifikasi telah dilakukan menurut standar harmonisasi EN250:2014 untuk memastikan kepatuhan terhadap persyaratan dasar untuk kesehatan dan keselamatan yang ditetapkan oleh peraturan Eropa 2016/425/EU.

Tanda CE dan EN250 pada produk menunjukkan kepatuhan terhadap persyaratan tersebut.

Nomor 0474 adalah nomor identifikasi untuk RINA Via Corsica, 12, 16128 Genova (GE) Italia, badan pemberitahuan yang menilai kepatuhan dan mengendalikan produksi, sesuai Modul B dan D, 2016/425/EU. Penanda 232bar dan 300bar pada tahap pertama menunjukkan tekanan suplai maksimum APD.

Produsen SCUBAPRO FM2/MK25EVO/S620Ti adalah SCUBAPRO EUROPE s.r.l., Via Tangioni 16, 16030 Casarza Ligure (GE) Italia. SCUBAPRO EUROPE s.r.l. memiliki sistem manajemen mutu yang disertifikasi oleh RINA sesuai dengan standar ISO9001: 2015.

2.1 *Standar EN 250:2014 - pengertian dan persyaratan*

Persyaratan dan pengujian yang ditetapkan oleh standar EN 250:2014 dimaksudkan untuk menjamin tingkat keselamatan minimum untuk pengoperasian alat bantu pernapasan bawah air. Di Eropa, standar EN 250:2014 mendefinisikan persyaratan teknis minimum yang harus dipatuhi oleh SCUBA, dan merupakan revisi terbaru dari standar EN250.

2.2 *Batasan yang diberikan oleh EN250:2014*

Unit SCUBA dapat terdiri dari komponen terpisah seperti: silinder, regulator, pengukur tekanan, dan penutup wajah.

Penggunaan unit SCUBA terbatas pada penyelaman bawah air.

Masker full face FM2/MK25EVO/S620Ti terdiri dari penutup wajah yang digabungkan dengan regulator dan oleh karena itu merupakan APD yang melindungi mata dari kontak dengan air dan saluran pernapasan yang terkena dampak tekanan, memasok udara bernapas dalam kondisi penggunaan yang diperlukan selama penyelaman.

FM2/MK25EVO/S620Ti ini dapat digunakan dengan unit komponen SCUBA yang disertifikasi menurut regulasi EU 2016/425 dan EN 250: 2014. Udara yang terkandung di dalam silinder harus sesuai dengan persyaratan untuk udara bernapas yang ditetapkan dalam EN 12021. Kedalaman sertifikasi adalah 50 meter (164 kaki). Bagaimanapun, penyelam harus selalu mematuhi batasan yang ditetapkan oleh peraturan lokal di lokasi penyelaman.

PENTING

Sertifikasi Eropa untuk APD FM2/MK25EVO/S620Ti mengacu pada produk lengkap yang terdiri dari:

- 1) Penutup wajah SCUBAPRO FM2.
- 2) Tahap kedua S620Ti yang dipasang terhubung pada dahi di penutup wajah FM2 dan terhubung ke tahap pertama MK25EVO satuan.

⚠ PERINGATAN

Penutup wajah FM2 hanya disertifikasi dengan model regulator yang ditentukan dalam manual ini, yang telah melalui uji sertifikasi Eropa, sesuai dengan standar EN250:2014.

Penggunaan FM2 dengan regulator lain berada di luar cakupan sertifikasi.

⚠ PERINGATAN

Perubahan apa pun pada konfigurasi FM2/MK25EVO/S620Ti yang tidak termasuk dalam konfigurasi bersertifikat Eropa seperti yang dijelaskan dalam manual ini, termasuk misalnya selang tekanan rendah yang disertakan dengan regulator, akan mengakibatkan hilangnya kesesuaian dengan standar sertifikasi Eropa.

Tekanan operasi maksimum tergantung pada koneksi regulator MK25 EVO/S620Ti yang digunakan: 300 bar untuk koneksi DIN dan 232 bar untuk koneksi INT, sesuai dengan penandaan pada tahap pertama.

Lihat manual regulator SCUBAPRO untuk rincian teknis lebih lanjut dan informasi tentang regulator.

FM2/MK25EVO/S620Ti disertifikasi untuk digunakan dalam air dingin, yaitu suhu di bawah 10°C (50°F).

2.2.1 OCTOPUS (Alat bantu pernapasan darurat)

Octopus biasanya dianggap sebagai darurat tambahan tahap kedua untuk digunakan oleh penyelam jika diperlukan (seperti kerusakan tahap kedua utama).

⚠ PERINGATAN

Hanya SCUBA yang mematuhi standar EN250:2014 dan bertanda "EN250A" atau "EN250A>10°C" yang dapat digunakan sebagai alat penyelamatan oleh lebih dari satu penyelam pada saat yang sama.

⚠ PERINGATAN

Jika SCUBA dikonfigurasi untuk dan digunakan oleh lebih dari satu penyelam pada waktu yang sama, maka SCUBA tidak boleh digunakan pada kedalaman lebih dari 30 meter dan suhu air kurang dari 4°C jika bertanda "EN250A", dan kurang dari 10°C Jika ditandai dengan "EN250A> 10°C".

Penandaan EN250A dapat ditemukan pada tahap pertama dan kedua regulator MK25EVO/S620Ti. Penutup wajah FM2 ditandai dengan EN250.

2.3 Catatan penting

Untuk perlindungan Anda saat menggunakan peralatan pendukung kehidupan SCUBAPRO, kami meminta Anda untuk memperhatikan hal-hal berikut:

1. Gunakan peralatan sesuai dengan instruksi yang terdapat dalam manual ini dan hanya setelah Anda membaca dan memahami semua instruksi dan peringatan secara lengkap.
2. Penggunaan peralatan terbatas pada penggunaan yang dijelaskan dalam manual ini atau untuk aplikasi yang disetujui secara tertulis oleh SCUBAPRO.
3. Silinder hanya boleh diisi dengan udara bertekanan atmosfer, menurut standar EN 12021. Jika ada uap air di dalam silinder, selain menyebabkan korosi pada silinder, hal itu dapat menyebabkan pembekuan dan kerusakan regulator selanjutnya selama penyelaman yang dilakukan dalam kondisi suhu rendah (lebih rendah dari 10 ° C (50 ° F)). Silinder harus diangkat sesuai dengan peraturan lokal yang disediakan untuk pengangkutan barang berbahaya. Penggunaan silinder tunduk pada hukum yang mengatur penggunaan gas dan udara terkompresi.
4. Peralatan harus dirombak oleh teknisi resmi SCUBAPRO dengan frekuensi yang ditentukan. Perbaikan harus didokumentasikan. Saat melakukan perbaikan dan selama perawatan, hanya suku cadang pengganti SCUBAPRO yang harus digunakan.
5. Jika peralatan diservis atau diperbaiki tanpa mematuhi prosedur yang disetujui oleh SCUBAPRO atau oleh personel yang tidak terlatih atau tidak tersertifikasi oleh SCUBAPRO, atau haruskah digunakan dengan cara dan untuk tujuan lain selain yang ditentukan secara khusus, tanggung jawab atas fungsi yang benar dan aman dari pemindahan peralatan kepada pemilik / pengguna.

6. Pernapasan harus terus menerus, tanpa menahan nafas.
7. Semua penyelaman harus direncanakan dan dilakukan sehingga pada akhir penyelaman penyelam masih memiliki cadangan udara yang memadai untuk penggunaan darurat. Jumlah yang disarankan biasanya 50 bar (725 psi).
8. Jika peralatan akan digunakan di air dingin (suhu lebih rendah dari 10°C (50°F)), perlu menggunakan pengatur yang sesuai untuk suhu tersebut.

PERINGATAN

Menyelam di air dingin membutuhkan peralatan dan teknik khusus. Sebelum menyelam di air dingin, kami sangat menyarankan Anda untuk mendapatkan pelatihan yang memadai dari lembaga pelatihan yang diakui.

9. Isi panduan ini didasarkan pada informasi terbaru yang tersedia pada saat akan dicetak. SCUBAPRO berhak untuk membuat perubahan kapan saja.

SCUBAPRO menolak semua tanggung jawab atas kerusakan yang disebabkan oleh ketidakpatuhan terhadap instruksi yang terdapat panduan ini. Petunjuk ini tidak memperpanjang garansi atau tanggung jawab yang dinyatakan oleh persyaratan penjualan dan pengiriman SCUBAPRO.

Untuk menjaga jaminan, perawatan harus dilakukan oleh teknisi SCUBAPRO yang memenuhi syarat, dan catatan perawatan harus disimpan. Untuk rinciannya, hubungi dealer resmi SCUBAPRO.

3. KARAKTERISTIK UMUM

PERINGATAN

Hanya kombinasi regulator MK25EVO/S620Ti yang disertifikasi untuk perakitan dan penggunaan pada penutup wajah FM2.

Satu-satunya konfigurasi MK25EVO/S620Ti yang disertifikasi dengan FM2 secara eksklusif adalah yang dilengkapi dengan selang 75cm standar SCUBAPRO, tanpa aksesoris putar atau siku.

Katup pemasangan udara untuk periode di permukaan (gambar 1-B) memungkinkan, dengan membuka katup, untuk menghindari konsumsi pasokan udara yang berguna untuk penyelaman: cukup tutup katup pemasangan udara untuk waktu di permukaan untuk mulai bernapas dari tahap kedua dan mulai menyelam.

Penutup wajah FM2 memiliki katup pembuangan air di bawah dagu, untuk pembuangan air yang efektif dan alami. Konfigurasi asli dan bersertifikat dilengkapi dengan tabung pelindung katup pembuangan (gambar 1-C).

Pipa ini mencegah aliran bebas dari tahap kedua selama penyelaman, yang disebabkan oleh perbedaan tekanan hidrostatik yang dihasilkan, dalam kondisi tertentu, oleh posisi relatif sumber udara.

PERINGATAN

Melepas pipa pelindung katup pembuangan air merupakan perubahan pada konfigurasi bersertifikat dan menyiratkan hilangnya kepatuhan terhadap standar sertifikasi Eropa.

Penutup wajah FM2 memiliki koneksi untuk memasang aksesoris, termasuk komputer selam SCUBAPRO HUD (kit untuk memasang aksesoris tersedia secara terpisah).

Untuk detail mengenai fitur dan penggunaan, lihat bagian PENGGUNAAN

4. PENGGUNAAN

4.1 *Persiapan untuk menyelam - peringatan penting sebelum digunakan*

Pada bagian depan masker dapat ditemukan sambungan yang didesain untuk menampung tahap kedua. Kelompok komponen yang diperlukan untuk menghubungkan tahap kedua sudah terpasang pada sambungan ini (gambar 1 dan 2).

Kelompok ini, disekrup ke bodi (D), terdiri atas ring (A), washer (E), spacer (G) dan selongsong karet (F).

Untuk merakit tahap kedua, lanjutkan sebagai berikut.

Lepaskan corong dari tahap kedua setelah membuka tali yang menahannya di tempatnya.

Lepaskan cincin (A) sepenuhnya, jaga agar ketiga komponen, cincin (A), spacer (G) dan selongsong (F) tetap terpasang seperti pada gambar 3.1, sementara mesin cuci (E) tetap berada di posisinya pada bodi (D).

Pastikan mesin cuci (E) terpasang sehingga kedua rusuk penyegel menghadap ke karet rok (gambar 2.1).

Masukkan tahap kedua di dalam selongsong karet (F).

Kemudian gunakan tali (H) yang disertakan untuk mengencangkan tahap kedua di selongsong karet tempat tahap kedua dimasukkan, pastikan untuk mengencangkannya secara memadai.

Pasang kembali seluruh unit pada penutup wajah, kencangkan cincin (A) dan kencangkan sepenuhnya untuk menjamin sambungan yang aman dari seluruh unit (gambar 4), pastikan bodi tidak berputar saat memasang cincin, periksa apakah segitiga kecil yang terlihat di bagian belakang bodi (D) tetap menghadap ke atas seperti pada gambar 3.2.

PERINGATAN

Ketika melakukan operasi perakitan awal, selalu periksa apakah Anda sudah mengencangkan kelompok sambungan tahap kedua dan tali yang disertakan untuk menahan tahap kedua itu sendiri dengan benar.

Kegagalan atau pengencangan yang tidak tepat dapat sangat berbahaya selama penyelaman dan menyebabkan kecelakaan dan cedera, bahkan fatal.

Jika lensa mulai berkabut, gunakan larutan antifog SCUBAPRO (P/N 24.090.000) pada permukaan bagian dalam, lalu bilas masker secara menyeluruh di dalam air (ulangi tiga kali operasi ini, jika masker itu baru).

Jangan pernah menggunakan pelarut atau pembersih seperti alkohol, dll.. Jika perlu, gunakan hanya sabun cair.

PERINGATAN

Disarankan untuk mengenakan peralatan dan masker wajah penuh di permukaan sebelum menyelam.

4.2 Menyelam

Sebelum mengenakan FM2/MK25EVO/S620Ti, periksalah untuk memastikan bahwa semua bagian dalam kondisi optimal untuk menyelam.

Periksa semua gesper, tali pengikat, sambungan tahap kedua, bingkai dan penutup wajah.

Pasangkan masker dan periksa apakah ada pengabutan dan Anda dapat menyamakannya.

PERINGATAN

Jangan menyelam kecuali Anda telah terlebih dahulu memeriksa kondisi dan fungsi peralatan dan FM2/MK25EVO/S620Ti yang benar.

Jika Anda melihat adanya cacat, kerusakan, atau gangguan, segera hubungi teknisi servis resmi SCUBAPRO.

PERINGATAN

Jangan lompat ke air dengan wajah di bawah atau menjatuhkan masker ke benda tajam apa pun: benturan yang keras dapat menyebabkan kerusakan lensa yang menyebabkan cedera pada pengguna.

Setelah pemeriksaan awal dilakukan, kenakan masker FM2/MK25EVO/S620Ti dengan menyesuaikan kelima ujung tali pengikat dan kencangkan kelima tali pengikat satu per satu hanya dengan menarik setiap ujungnya sedikit demi sedikit, hingga mencapai penyesuaian masker yang optimal pada wajah Anda. (gambar 5.1)

Untuk memudahkan penyesuaian, Anda bisa melepaskan ujung tali pengikat dari loop-nya untuk sementara waktu.

Untuk melonggarkan atau melepas masker, angkat sedikit tab gesper sambil menarik tali bagian bawah yang sesuai (gambar 5.2).

PERINGATAN

Di luar kedalaman 2 meter (6 kaki), dalam penyelaman bebas, tekanan mendorong masker ke wajah.

Apabila digunakan dalam konfigurasi bersertifikat, cukup bernapas secara normal untuk menghindari masalah.

PERINGATAN

Untuk menghindari kondisi berbahaya gendang telinga yang hancur saat menyelam, cubit hidung Anda dengan jari-jari Anda dan tiuplah dengan mulut tertutup untuk mendorong udara masuk ke bagian dalam dinding gendang telinga.

Selama berhenti di permukaan, Anda dapat menggunakan katup pemasukan udara permukaan yang disediakan pada masker dengan membuka sumbat berulir (gambar 1-B) untuk menghirup udara atmosfer tanpa menggunakan udara dari silinder.

Sebelum menyelam, kencangkan kembali steker sepenuhnya untuk menutup kembali masker.

PERINGATAN

Sebelum menyelam, pastikan katup pemasukan udara untuk penggunaan di permukaan tertutup dan masker tertutup rapat untuk mencegah air masuk dan membanjiri masker.

PERINGATAN

SCUBAPRO merekomendasikan untuk selalu memiliki sistem dana talangan cadangan yang tersedia: seluruh regulator dengan tahap pertama dan kedua yang tidak terhubung ke masker FM2 / MK25EVO / S620Ti, dll.

SCUBAPRO juga merekomendasikan untuk membawa masker cadangan.

PERINGATAN

Tidak mungkin melepas FM2 dan memasangnya kembali saat menyelam. Jika perlu melepas FM2 di bawah air, jangan memasangnya kembali. Gunakan masker dan regulator cadangan dan segera mulai mendaki.

5. PERAWATAN REGULATOR SAAT TIDAK DIGUNAKAN

Bilas masker secara menyeluruh dengan air tawar setiap kali selesai menyelam, terutama jika dilakukan di air yang mengandung klorin.

PERINGATAN

Khususnya jika FM2/MK25EVO/S620Ti telah digunakan dalam air yang terkontaminasi, pastikan untuk membilas dan membersihkannya secara menyeluruh.

5.1 *Desinfeksi*

SCUBAPRO merekomendasikan Pembersih McNett Revivex. Gunakan sesuai dengan prosedur dan pengenceran yang dijelaskan pada kemasannya.

PERINGATAN

Jangan gunakan pelarut atau deterjen seperti alkohol, dll.

5.2 *Penyimpanan*

Biarkan mengering di tempat yang sejuk dan jauh dari sinar matahari, posisikan agar airnya mengalir.

Setelah kering, simpan masker jauh dari sinar matahari di tempat yang kering pada suhu ruangan.

BATAS SUHU -10°C /60°C

6. PEMELIHARAAN

Pengoperasian di luar yang dijelaskan dalam manual ini tidak boleh dilakukan oleh pengguna, tetapi oleh teknisi SCUBAPRO yang berkualifikasi dan berwenang.

Masker wajah FM2 harus diservis oleh teknisi SCUBAPRO resmi setiap 2 tahun. Perbaikan wajib dilakukan untuk mempertahankan garansi. Untuk perawatan yang terkait dengan regulator, lihat manual regulator SCUBAPRO.

Silakan lihat ketentuan jaminan Johnson Outdoors. Layanan tersedia melalui dealer resmi SCUBAPRO yang diidentifikasi dengan tanda DEALER SCUBAPRO TERPILIH atau dengan mengunjungi www.scubapro.com

1. AVVERTENZE IMPORTANTI

ATTENZIONE

Il presente manuale deve essere letto e compreso interamente prima di utilizzare il prodotto. Consigliamo di conservare questo manuale per l'intera vita del prodotto.

ATTENZIONE

Per immergersi bisogna attenersi alle norme e agli insegnamenti di un'agenzia di certificazione subacquea riconosciuta. Prima di partecipare a qualsiasi attività di immersione è necessario aver completato con successo uno specifico corso di addestramento teorico e pratico all'attività subacquea con maschera granfacciale.

ATTENZIONE

Questo manuale non sostituisce un corso di immersione.

ATTENZIONE

Per i dettagli sulle caratteristiche, l'uso, la cura e la manutenzione dell'erogatore MK25EVO/S620Ti riferirsi al manuale erogatori SCUBAPRO.

2. CERTIFICAZIONE EUROPEA

Il facciale FM2 e l'erogatore MK25EVO/S620Ti costituiscono insieme la maschera granfacciale FM2/MK25EVO/S620Ti.

La maschera granfacciale SCUBAPRO FM2/MK25EVO/S620Ti ha ottenuto la certificazione Europea in conformità ai regolamenti europei che definiscono le condizioni di immissione sul mercato e i requisiti essenziali di sicurezza dei Dispositivi di Protezione Individuale (DPI) di terza categoria. La certificazione è rilasciata dall'ente notificato RINA, con l'utilizzo dei soli modelli di erogatori SCUBAPRO specificati in questo manuale.

Le prove di certificazione sono state eseguite in accordo alla norma armonizzata EN250:2014 per garantire la conformità ai requisiti essenziali di salute e sicurezza definiti dal regolamento Europeo 2016/425/UE.

La marcatura CE ed EN250 indicano il soddisfacimento dei suddetti requisiti.

Il numero 0474 è il numero identificativo di RINA Via Corsica, 12, 16128 Genova (GE) Italia, l'organismo notificato che valuta la conformità e controlla la produzione, ai sensi dei Moduli B e D del regolamento 2016/425/UE. La marcatura 232bar e 300bar sul primo stadio indica la pressione massima di alimentazione del DPI.

Il produttore di FM2/MK25EVO/S620Ti è SCUBAPRO EUROPE s.r.l. Via Tangoni 16 16030 Casarza Ligure (GE) Italy, SCUBAPRO EUROPE s.r.l. dispone di un sistema di gestione per la qualità certificato dal RINA in accordo alla norma ISO9001:2015.

2.1 Normativa EN 250: 2014 - significato e requisiti

I requisiti e le prove definiti dallo Standard EN 250:2014 hanno lo scopo di garantire un livello minimo di sicurezza per il funzionamento dei respiratori subacquei. In Europa, la norma EN 250:2014 definisce i requisiti tecnici minimi di accettazione ai quali devono attenersi gli SCUBA ed è la revisione più recente della norma EN250.

2.2 Limitazioni previste dalla EN250:2014

L'unità SCUBA può essere costituita da componenti distinti come: bombola, erogatore, manometro, facciale.

L'utilizzo dell'unità SCUBA è limitato all'immersione subacquea.

La maschera FM2/MK25EVO/S620Ti è composta da un facciale integrato con erogatore, è pertanto un DPI che protegge gli occhi dal contatto con l'acqua e le vie respiratorie sottoposte all'effetto della pressione, fornendo aria respirabile alle condizioni d'uso necessarie durante l'immersione.

FM2/MK25EVO/S620Ti è utilizzabile con gruppi componenti SCUBA certificati secondo il regolamento 2016/425/UE e la norma EN 250:2014.

L'aria contenuta nelle bombole deve essere conforme ai requisiti per aria respirabile definiti dalla norma EN 12021.

La profondità di certificazione è di 50 metri (164 ft.). In ogni caso il subacqueo dovrà attenersi ai limiti imposti dalle normative locali del luogo di immersione.

IMPORTANTE

La certificazione Europea del DPI FM2/MK25EVO/S620Ti è relativa al prodotto completo composto da:

- 1) Un facciale SCUBAPRO FM2
- 2) Un secondo stadio S620Ti montato frontalmente sul facciale FM2 e collegato ad un unico primo stadio MK25EVO.

⚠ ATTENZIONE

Il facciale FM2 è certificato solo con i modelli di erogatori specificati in questo manuale, con i quali sono stati effettuati i test di certificazione europea in accordo alla norma EN250:2014.

L'utilizzo di FM2 con altri erogatori esula dalla certificazione ottenuta.

⚠ ATTENZIONE

Ogni variazione alla configurazione di FM2/MK25EVO/S620Ti che non sia inclusa nella configurazione Europea certificata come descritta in questo manuale, inclusa ad esempio la frusta di bassa pressione in dotazione all'erogatore, comporta la perdita della conformità alla norma di certificazione europea.

La pressione massima di esercizio dipende dalla connessione dell'erogatore MK25 EVO/S620Ti utilizzato: 300 bar per la connessione DIN e 232 bar per le connessioni INT, come da marcatura del primo stadio.

Fare riferimento al manuale erogatori SCUBAPRO per ulteriori dettagli tecnici ed informazioni sull'erogatore.

FM2/MK25EVO/S620Ti è certificato per l'utilizzo con acque fredde, cioè con temperature inferiori ai 10°C (50°F).

2.2.1 OCTOPUS (Dispositivo di respirazione ausiliario d'emergenza)

L'octopus è solitamente considerato un secondo stadio ausiliario di emergenza, adatto per essere utilizzato dal subacqueo in caso di bisogno (per esempio in caso di malfunzionamento del proprio secondo stadio principale).

⚠ ATTENZIONE

Solo uno SCUBA conforme con la norma EN250:2014 con erogatore marcato "EN250A" o "EN250A>10°C" può essere usato come dispositivo di salvataggio da più di un subacqueo in contemporanea.

⚠ ATTENZIONE

Se lo SCUBA è configurato per, ed usato da, più di un subacqueo in contemporanea, allora non deve essere utilizzato a profondità oltre i 30 metri e in acqua a temperature inferiori a 4°C se l'erogatore è marcato "EN250A", o inferiori a 10°C se marcato "EN250A>10°C".

La marcatura EN250A si trova sul primo e secondo stadio dell'erogatore MK25EVO/S620Ti, il facciale FM2 è marcato EN250.

2.3 Note importanti

Per la vostra sicurezza durante l'utilizzo dell'attrezzatura SCUBAPRO, è essenziale attenersi a quanto specificato nei seguenti punti:

1. Utilizzare l'attrezzatura secondo quanto indicato da questo manuale e soltanto dopo averlo letto e compreso interamente.
2. L'impiego dell'attrezzatura è limitato agli usi descritti dal presente manuale o agli scopi approvati per iscritto da SCUBAPRO.
3. Le bombole devono essere riempite solo con aria atmosferica compressa secondo la norma EN 12021. L'eventuale presenza di umidità nella bombola, oltre a causare corrosione della stessa, può anche determinare il congelamento e malfunzionamento dell'erogatore in caso di immersione a basse temperature (inferiori a 10°C (50°F)). Durante il trasporto delle bombole devono essere sempre seguite le norme locali per il trasporto di merci pericolose. L'utilizzo delle bombole deve essere sottoposto alle norme che regolano l'uso di gas e l'uso di aria compressa.
4. L'attrezzatura deve essere revisionata da personale qualificato con la frequenza prescritta. Le operazioni di revisione devono essere documentate. Per effettuare riparazioni e durante la manutenzione devono essere utilizzati solo ricambi originali SCUBAPRO.
5. Nel caso in cui l'attrezzatura sia stata revisionata in modo non conforme o riparata da personale non qualificato e non certificato da SCUBAPRO, oppure sia stata utilizzata nei modi e per scopi diversi da quelli specificamente indicati, SCUBAPRO sarà sollevata da qualsivoglia responsabilità.
6. La respirazione deve essere continua, evitando pause nelle quali si trattienga il respiro.

7. Ogni immersione deve essere pianificata e condotta in modo che al termine sia disponibile una ragionevole riserva d'aria per le emergenze, la quantità solitamente indicata è almeno di 50 bar (725 psi).
8. Se si prevede l'utilizzo dell'equipaggiamento SCUBA in acque fredde (temperatura inferiore a 10°C (50°F)) dovrà essere utilizzato un erogatore adatto al funzionamento a tali temperature.

ATTENZIONE

Le immersioni in acque fredde richiedono attrezzature e procedure particolari, prima di effettuarle è necessario ottenere il corretto addestramento da un'agenzia di certificazione riconosciuta.

9. Il contenuto del presente manuale di istruzioni si basa sulle più recenti informazioni disponibili al momento della stampa. SCUBAPRO si riserva il diritto di apportare cambiamenti in qualsiasi momento. SCUBAPRO declina ogni responsabilità per danni subiti a seguito della mancata osservanza delle istruzioni riportate in questo manuale. Queste istruzioni non estendono la garanzia e la responsabilità stabilite nelle condizioni di vendita e consegna SCUBAPRO.

Affinché la garanzia venga conservata è necessario effettuare la manutenzione a cura di un tecnico abilitato SCUBAPRO e mantenere prova delle avvenute manutenzioni. Per i dettagli rivolgersi ad un rivenditore autorizzato SCUBAPRO.

3. CARATTERISTICHE GENERALI

ATTENZIONE

Solo la combinazione erogatore MK25EVO/S620Ti è certificata per essere montata ed utilizzata sul facciale FM2.

Le sole configurazioni di MK25EVO/S620Ti certificate con FM2 sono esclusivamente quelle dotate di fruste SCUBAPRO standard da 75cm, senza snodi né gomiti accessori.

La presa d'aria per lo stazionamento in superficie (figura 1-B) consente, aprendo la valvola, di non consumare aria utile per l'immersione: è sufficiente chiudere la valvola della presa d'aria per lo stazionamento in superficie per iniziare a respirare dal secondo stadio e successivamente iniziare l'immersione.

Il facciale FM2 dispone di una valvolina per lo scarico dell'acqua sotto il mento, per un drenaggio di acqua che risulta particolarmente efficace e naturale. La configurazione originale e certificata è dotata di tubo di protezione della valvola di scarico (figura 1-C).

Questo tubo impedisce che durante l'immersione possa verificarsi un flusso libero dal secondo stadio, causato dalla differenza di pressione idrostatica generata, in certe condizioni, dalla posizione relativa della fonte d'aria.

ATTENZIONE

La rimozione del tubo di protezione della valvola di scarico dell'acqua costituisce una modifica alla configurazione certificata e comporta la perdita della conformità alla norma di certificazione europea.

Il facciale FM2 dispone di connessioni per montaggio accessori, tra cui il computer subacqueo SCUBAPRO HUD (i kit per montaggio accessori sono disponibili separatamente).

Per i dettagli su caratteristiche e funzionamento, fare riferimento alla sezione USO.

4. USO

4.1 *Preparazione all'immersione – avvertenze importanti prima dell'uso*

Sulla parte frontale della maschera si trova l'attacco predisposto per ospitare il secondo stadio.

Su questo attacco è già montato il gruppo di componenti necessario per fissare il secondo stadio nella configurazione standard. (figure 1 e 2).

Tale gruppo, avvitato sul corpo (D), è composto da ghiera (A), rondella (E) spaziatore (G) e manicotto in gomma (F). Per montare il secondo stadio procedere come segue.

Sfilare il bocaglio dall'erogatore dopo aver aperto la fascetta che lo tiene fissato.

Svitare la ghiera (A) completamente, mantenendo i tre componenti, ghiera (A), spaziatore (G) e manicotto (F) preassemblati come in figura 3.1, mentre la rondella (E) rimane sul corpo (D).

Fare attenzione che la rondella (E) sia montata in modo che le due costole di tenuta siano rivolte verso la gomma del facciale (ingrandimento 2.1).

Inserire il secondo stadio all'interno del manicotto in gomma (F).

Utilizzare quindi la fascetta in dotazione (H) per fissare il secondo stadio sul manicotto in gomma in cui è inserito il secondo stadio stesso, assicurandosi di serrare adeguatamente

Montare nuovamente tutto il gruppo sul facciale, avvitando la ghiera (A) e stringendo fino in fondo in modo da garantire il fissaggio di tutto l'insieme (figura 4), assicurandosi che il corpo non ruoti mentre si avvita, verificando che il triangolino visibile sul retro del corpo (D) rimanga rivolto verso l'alto come in figura 3.2.

ATTENZIONE

Quando si effettuano operazioni di assemblaggio preliminare, verificare sempre di aver serrato correttamente il gruppo di fissaggio del secondo stadio e la fascetta in dotazione che trattiene il secondo stadio stesso.

Il mancato o incorretto serraggio può essere molto pericoloso durante l'immersione e causare incidenti e lesioni, anche mortali.

In caso di appannamento del vetro, usare la soluzione antifog SCUBAPRO (P/N 24.090.000) sulla superficie interna, quindi sciacquare abbondantemente in acqua (ripetere tre volte l'operazione, se la maschera è nuova). Non usare solventi o detersivi quali alcool, ecc. ma, nel caso, usare solo sapone liquido.

ATTENZIONE

Si raccomanda di indossare l'attrezzatura e la maschera granfacciale in superficie, prima di immergersi.

4.2 Immersione

Prima di indossare FM2/MK25EVO/S620Ti, esaminarla per accertarsi che sia in condizioni ottimali in tutte le sue parti, per effettuare un'immersione.

Verificare tutte le fibbie, le cinghie, l'aggancio del secondo stadio, il telaio e il facciale.

Provare la maschera e verificare l'appannamento, e che sia possibile ottenere la compensazione.

ATTENZIONE

Non immergersi se non si è prima verificato il buono stato e il funzionamento corretto dell'attrezzatura e di FM2/MK25EVO/S620Ti.

Se si notano difetti, danneggiamenti o manomissioni, rivolgersi immediatamente ad un centro tecnico autorizzato SCUBAPRO.

ATTENZIONE

Non tuffarsi in acqua con il viso rivolto verso il basso, per evitare danni fisici in caso di rottura del vetro dovuta all'impatto con l'acqua.

Non lasciar cadere la maschera contro oggetti taglienti o appuntiti in quanto il vetro temperato potrebbe rompersi.

Una volta eseguite le verifiche preliminari, indossare la maschera FM2/MK25EVO/S620Ti regolando le 5 estremità del cinturino e stringere singolarmente i 5 nastri semplicemente tirando ciascuna estremità poco per volta, fino ad arrivare alla condizione ottimale di regolazione della maschera sul proprio volto. (figura 5.1).

Per facilitare la regolazione è possibile rimuovere temporaneamente le estremità dei cinturini dai loro passanti.

Per allentare o togliere la maschera sollevare leggermente le linguette delle fibbie mentre si tendono i corrispondenti nastri inferiori (figura 5.2).

ATTENZIONE

Sotto i 2 metri (6 piedi) di profondità, in immersione libera, la pressione schiaccia la maschera contro il viso. Nell'uso in configurazione certificata è sufficiente respirare normalmente per evitare problemi.

ATTENZIONE

Per evitare la pericolosa condizione dello schiacciamento del timpano durante l'immersione, stringere il naso con le dita e soffiare a bocca chiusa per immettere aria all'interno della parete del timpano.

Durante le soste in superficie è possibile utilizzare la presa d'aria per lo stazionamento in superficie presente sulla maschera in configurazione standard, svitando il tappo filettato (figura 1-B) per accedere all'aria atmosferica in modo da poter respirare senza consumare l'aria delle bombole.

Prima di immergersi riattivare il tappo completamente al fine di sigillare nuovamente la maschera.

ATTENZIONE

Prima di immergersi assicurarsi che la presa d'aria per lo stazionamento in superficie sia chiusa e la maschera sigillata, per evitare l'ingresso di acqua e l'allagamento della maschera.

⚠ ATTENZIONE

SCUBAPRO raccomanda di avere sempre a disposizione un sistema bailout di riserva: erogatore completo di primo e secondo stadio non collegato alla maschera FM2/MK25EVO/S620Ti, ecc..
SCUBAPRO raccomanda inoltre di portare con sé una maschera di riserva.

⚠ ATTENZIONE

Non è possibile rimuovere FM2 e rindossarla durante l'immersione. Se fosse necessario rimuovere FM2 sott'acqua, non rindossarla, ma usare maschera ed erogatori di riserva per iniziare immediatamente la risalita.

5. CURA QUANDO NON IN USO

Sciagquare abbondantemente la maschera con acqua dolce dopo ogni immersione, specialmente se effettuata in acqua clorata.

⚠ ATTENZIONE

In particolare se FM2/MK25EVO/S620Ti è stata utilizzata in acque contaminate, assicurarsi di sciacquarla e pulirla accuratamente.

5.1 Disinfezione

SCUBAPRO raccomanda McNett Revivex Cleaner. Utilizzare in conformità alla procedura e diluizione descritta sulla sua confezione.

⚠ ATTENZIONE

Non usare solventi o detersivi quali alcool, ecc.

5.2 Conservazione

Lasciare asciugare in ambiente fresco lontano dai raggi solari, posizionandola in modo da lasciar uscire l'acqua. Una volta asciugata, riporre la maschera lontano dai raggi solari in un luogo asciutto a temperatura ambiente.

LIMITI DI TEMPERATURA -10°C / 60°C

6. MANUTENZIONE

Operazioni che vadano oltre quanto scritto in questo manuale non devono essere effettuati dall'utente, ma sono da effettuare a cura di personale tecnico qualificato ed autorizzato SCUBAPRO.

Il facciale FM2 deve essere revisionato da un tecnico autorizzato SCUBAPRO ogni 2 anni. La revisione è obbligatoria per preservare la garanzia.

Per la manutenzione relativa agli erogatori fare riferimento al manuale erogatori SCUBAPRO.

Si prega di far riferimento alle condizioni di garanzia Johnson Outdoors. Il servizio di assistenza tecnica è disponibile presso i rivenditori autorizzati identificati dall'indicazione: SELECTED DEALER SCUBAPRO o visitando il sito www.scubapro.com.

1. FONTOS FIGYELMEZTETÉSEK

FIGYELMEZTETÉS

A termék használatát megelőzően teljesen át kell olvasni ezt a használati utasítást és meg kell érteni annak tartalmát. A használati utasítást ajánlatos az termék teljes élettartama alatt megőrizni.

FIGYELMEZTETÉS

Merüléskor be kell tartani az egy elismert könnyűbúvár központ által kiadott szabályokat, illetve alkalmazni kell az ott tanult ismereteket. Mielőtt bármilyen merülésbe kezdene, feltétlenül el kell végezni egy olyan könnyűbúvár tanfolyamot, amelyen a teljes arcmaszkkal történő merüléssel kapcsolatos elméleti, illetve műszaki szempontokat oktatják.

FIGYELMEZTETÉS

Ez a használati utasítás nem helyettesíti a könnyűbúvár tanfolyamot!

FIGYELMEZTETÉS

Az MK25EVO/S620Ti szabályozó jellemzőivel, használatával, gondozásával és karbantartásával kapcsolatos részletekért olvassa el a SCUBAPRO szabályozók kézikönyvét.

2. EURÓPAI TANÚSÍTVÁNY

Az FM2 arcvédő és az MK25EVO/S620Ti szabályozó együtt alkotja az FM2/MK25EVO/S620Ti teljes arcmaszkot. A SCUBAPRO FM2/MK25EVO/S620Ti teljes arcmaszok a harmadik kategóriás egyéni védőeszközök (PPE) forgalomba hozatali feltételeit és alapvető biztonsági követelményeit szabályozó európai jogszabályok értelmében megkapták az európai tanúsítványt. A tanúsítványt a RINA bejelentett szervezet adta ki, az ebben a kézikönyvben szereplő egyetlen SCUBAPRO szabályozó modell használatával.

A tanúsítási tesztek az EN250:2014 harmonizált szabvány szerint hajtották végre, annak biztosítására, hogy megfeleljenek a 2016/425/EU európai rendeletben foglalt alapvető egészségügyi és biztonsági követelményeknek. A termék CE és EN250 jelölései az említett követelményeknek való megfelelést jelölik.

A 0474 a RINA Via Corsica, 12, 16128 Genova (GE), Olaszország bejelentett szervezet azonosítószáma; a bejelentett szervezet értékeli a megfelelést és ellenőrzi a gyártást a 2016/425/EU rendelet „B” és „D” moduljainak megfelelően. Az első fokozaton található 232bar és 300bar jelölés a PPE maximális ellátási nyomását jelzi.

A SCUBAPRO FM2/MK25EVO/S620Ti gyártója a SCUBAPRO EUROPE s.r.l., Via Tangoni 16, 16030 Casarza Ligure (GE) Olaszország. A SCUBAPRO EUROPE srl rendelkezik a RINA által az ISO9001:2015 szabvány szerint tanúsított minőségirányítási rendszerrel.

2.1 EN 250:2014 szabvány - jelentés és követelmények

Az EN 250:2014 szabványban meghatározott követelmények és tesztek célja, hogy garantálják a víz alatti légzőkészülékek működéséhez szükséges minimális biztonsági szintet. Európában az EN 250:2014 szabvány határozza meg azokat a minimális műszaki követelményeket, amelyeknek a SCUBA-nak meg kell felelnie, és ez az EN 250 szabvány legújabb felülvizsgálata.

2.2 Az EN250:2014 által előírt korlátozások

A SCUBA készülék külön alkotóelemekből állhat, pl. palack(ok), szabályozó(k) nyomásmérő és arcvédő.

A SCUBA készülék használata a víz alatti búvárkodásra korlátozódik.

Az FM2/MK25EVO/S620Ti teljes arcmaszok egy szabályozóval egybeépített arcrészből áll, és ezért olyan személyi védőeszköz, amely védi a szemet a vízzel való érintkezéstől és a légutakat a nyomás hatásának kitéve, és a szükséges használati feltételek mellett lélegző levegőt biztosít a merülés során.

Az FM2/MK25EVO/S620Ti az EU 2016/425 rendelet és az EN 250:2014 szabvány szerint tanúsított SCUBA összetevőkkel használható. A palackokban lévő levegőnek ki kell elégítenie az EN 12021 szabványban szereplő, a belélegezhető levegőre vonatkozóan előírt követelményeket. A hitelesítési mélység 50 méter (164 láb). A búvároknak mindenképpen be kell tartaniuk a merülés helyszínén érvényes helyi rendeletekben megadott határértékeket.

FONTOS:

Az FM2/MK25EVO/S620Ti PPE európai tanúsítása a teljes termékre vonatkozik, amely a következőkből áll:

- 1) SCUBAPRO FM2 arcvédő.
- 2) Egy S620Ti második fokozat, amely előlről az FM2 arcvédőre van szerelve, és egyetlen MK25EVO első fokozathoz van csatlakoztatva.

⚠ FIGYELMEZTETÉS

Az FM2 arcvédő csak az ebben a kézikönyvben megadott, az EN250:2014 szabványnak megfelelő európai tanúsítási tesztek elvégzett szabályozó modellekkel együtt tanúsított.

Az FM2 egyéb szabályozókkal történő használata nem tartozik a tanúsítás hatálya alá.

⚠ FIGYELMEZTETÉS

Az FM2/MK25EVO/S620Ti konfiguráció bármilyen módosítása, amely nem szerepel a jelen kézikönyvben ismertetett, tanúsított európai konfigurációban, beleértve például a szabályozóval együtt szállított alacsony nyomású tömlőt, az európai tanúsítási szabványnak való megfelelés elvesztését eredményezi.

A maximális üzemi nyomás a használt MK25 EVO/S620Ti szabályozó csatlakozásától függ: 300 bar a DIN-csatlakozás és 232 bar az INT-csatlakozás esetében, az első fokozaton lévő jelölésnek megfelelően.

A szabályozóval kapcsolatos további műszaki részletekért és információkért olvassa el a SCUBAPRO szabályozó kézikönyvét.

Az FM2/MK25EVO/S620Ti hideg vízben, azaz 10°C (50°F) alatti hőmérsékleten történő használatra van tanúsítva.

2.2.1 OCTOPUS (sürgősségi kiegészítő légzőkészülék)

Az octopus általában vészhelyzetben használatos kiegészítő második lépcsőnek tekintendő, amelyet a bűvár szükség esetén (pl. az elsődleges második fokozat meghibásodása esetén) használhat.

⚠ FIGYELMEZTETÉS

Csak az EN250:2014 szabványnak megfelelő és „EN250A” vagy „EN250A>10°C” jelöléssel ellátott SCUBA szabályozók használhatók egyszerre egynél több bűvár által mentőkészülékként.

⚠ FIGYELMEZTETÉS

A SCUBA készüléket úgy konfigurálták, hogy ha azt egyidejűleg egynél több bűvár használja, akkor azt nem szabad 30 m-nél nagyobb mélységben és „EN250A” jelölés esetén 4 °C-nál, ill. „EN250A>10°C” jelölés esetén 10 °C-nál kisebb vízhőmérséklet mellett használni.

Az EN250A jelölés az MK25EVO/S620Ti szabályozó első és második fokozatán található. Az FM2 arcvédő EN250 jelöléssel van ellátva.

2.3 Fontos megjegyzések

Szeretnénk felhívni a figyelmét az alábbiakra, hogy biztosíthassuk az Ön védelmét a SCUBAPRO életfenntartó felszerelés használata közben:

1. A felszerelést csak a jelen használati utasításban szereplő utasításoknak megfelelően használja, miután teljesen átolvasta és megértette az ott közölt utasításokat és figyelmeztetéseket.
2. A felszerelés használata a használati utasításban ismertetett területekre vagy a SCUBAPRO által írásban engedélyezett alkalmazásokra korlátozódik.
3. A palackokat kizárólag légkörüri sűrített levegővel szabad feltölteni az EN 12021 szabványnak megfelelően. A palackban lévő nedvesség a palack korróziója mellett hideg vízi merüléskor (10 °C (50°F) alatt) fagyást és abból adódóan a szabályozó hibás működését okozhatja. A palackokat a veszélyes áruk szállítására vonatkozó helyi szabályok szerint szabad szállítani. A palack használata során be kell tartani a gázok és a sűrített levegő használatát szabályozó törvényeket.
4. A berendezést a SCUBAPRO felhatalmazott szakemberének kell az előírt gyakorisággal nagyjavítania. A nagyjavításokat dokumentálni kell. A javításokhoz és a karbantartáshoz kizárólag SCUBAPRO pótalkatrészeket szabad használni.
5. Amennyiben a felszerelés karbantartását vagy javítását a SCUBAPRO által jóváhagyott eljárások betartása nélkül végzik, azt képzetlen vagy a SCUBAPRO engedélyével nem rendelkező személyzettel végeztetik, illetve amennyiben a felszerelést a kifejezett rendeltetésétől eltérő módon vagy célra használják, úgy a felszerelés szabályos és biztonságos működéséért a felelősség a tulajdonosra/a felhasználóra száll át.

- A légzésnek folyamatosnak kell lennie, anélkül, hogy a búvár visszatartaná a levegőt.
- Minden merülés úgy kell megtervezni és kivitelezni, hogy a merülés végére a búvár még mindig rendelkezzen egyszerű mennyiségű tartalék levegővel vészhelyzet esetére. Az ajánlott mennyiség rendszerint 50 bar (725 psi).
- Ha a SCUBA felszerelést hideg (10°C-nál (50°F) alacsonyabb hőmérsékletű) vízben használják, akkor ilyen hőmérsékletre alkalmas redukort kell használni.

FIGYELMEZTETÉS

A hideg vízi merülés speciális felszerelést és módszereket igényel. Hideg vízi merülés előtt nyomatékosan ajánlott egy elismert búvárközpontban megfelelő tréningen részt venni.

- E használati utasítás tartalma a nyomtatás időpontjában rendelkezésre álló legfrissebb adatokon alapszik. A SCUBAPRO fenntartja magának a jogot arra, hogy bármikor módosítsa a használati utasítás tartalmát. A SCUBAPRO nem vállal semminemű felelősséget a jelen használati utasításban szereplő rendelkezések megszegéséből eredő károkért. Ezek az utasítások nem hosszabbítják meg a SCUBAPRO általános értékesítési és szállítási feltételeiben említett jótállást vagy felelősséget. A garancia megőrzése érdekében a karbantartást szakképzett SCUBAPRO szerelővel kell végeztetni, a karbantartási dokumentumokat pedig meg kell őrizni. A részletekért forduljon SCUBAPRO márkakereskedőhöz.

3. ÁLTALÁNOS JELLEMZŐK

FIGYELMEZTETÉS

Csak az MK25EVO/S620Ti szabályozó kombináció rendelkezik az FM2 arcvédővel való összeszerelésre és használatra vonatkozó tanúsítvánnyal.

Az MK25EVO/S620Ti egyetlen FM2 tanúsítvánnyal rendelkező konfigurációja kizárólag szabványos, 75 cm-es SCUBAPRO tömlőkkel rendelkezik, kiegészítő forgócsavarok vagy könyökcsapok nélkül.

A felszínen töltött időszakokra szolgáló légbeszívó szelep (1-B ábra) lehetővé teszi, hogy a szelep megnyitásával elkerülhető legyen a merüléshez hasznos levegő fogyasztása: egyszerűen zárja be a légbeszívó szelepet a felszínen töltött időre, hogy a második fokozatból kezdjen lélegezni, és kezdje meg a merülést. Az FM2 arcvédő a különösen hatékony és természetes vízvezetés érdekében az áll alatt vízvezető szeleppel van felszerelve. Az eredeti és hitelesített konfiguráció egy leeresztő szelep védőcsövel van felszerelve (1-C ábra). Ez a cső megakadályozza, hogy a második fokozatból a merülés során olyan szabad áramlás induljon ki, amelyet a levegőforrás relatív helyzete által bizonyos körülmények között létrehozott hidrosztatikus nyomáskülönbség okoz.

FIGYELMEZTETÉS

A vízleeresztő szelep védőcsövének eltávolítása a hitelesített konfiguráció módosításának minősül, ami az európai tanúsítási szabványnak való megfelelés elvesztését vonja maga után.

Az FM2 arcvédő tartozékok, köztük a SCUBAPRO HUD búvárkomputer összeszereléséhez szükséges csatlakozókkal rendelkezik (a tartozékok összeszereléséhez szükséges készletek külön kaphatók).

A funkciókkal és a használatlalt kapcsolatos részletekért lásd a HASZNÁLAT fejezetet.

4. HASZNÁLAT

4.1 *Felkészülés a merülésre - fontos figyelmeztetések használat előtt*

A maszk elülső részén található a második fokozat elhelyezésére tervezett csatlakozás.

A második szakasz csatlakoztatásához szükséges alkatrészek csoportja már össze van szerelve ezen a csatlakozón (1. és 2. ábra).

Ez a testen (D) csavarozott csoport egy gyűrűből (A), egy alátétből (E), egy távtartóból (G) és egy gumihüvelyből (F) áll. A második fokozat összeszerelését a következőképpen kell végezni.

Vegye ki a szájdarabot a második fokozatból, miután kinyitotta a pántot, amely a helyén tartja.

Csavarja ki teljesen a gyűrűt (A), a három alkatrészt, a gyűrűt (A), a távtartót (G) és a hüvelyt (F) a 3.1. ábrán látható módon előszerelve hagyva, miközben az alátét (E) a helyén marad a testen (D).

Ügyeljen arra, hogy az alátétet (E) úgy szerelje össze, hogy a két tömítőborda a szoknya gumija felé nézzen (2.1. nagytás).

Helyezze a második fokozatot a gumihüvelybe (F).

Ezután a mellékelt hevederrel (H) rögzítse a második fokozatot a gumihüvelyben, amelybe a második fokozatot behelyezték, ügyelve annak megfelelő meghúzásra.

Szerelje vissza az egész egységet az arcvédőre, csavarja be a gyűrűt (A) és húzza meg teljesen, hogy biztosítsa az egész egység biztonságos csatlakozását (4. ábra), ügyelve arra, hogy a test ne forogjon el csavarás közben, ellenőrizve, hogy a test hátulján látható kis háromszög (D) felfelé nézzen, ahogy a 3.2. ábrán látható.

FIGYELMEZTETÉS

Az előzetes összeszerelési műveletek elvégzésekor mindig ellenőrizze, hogy megfelelően meghúzza-e a második fokozat csatlakozócsoportját és a mellékelt hevedert, amely magát a második fokozatot tartja. A hibás vagy helytelen meghúzás rendkívül nagy veszélyt jelenthet a merülés során, és akár halálos kimenetelű baleseteket és sérüléseket okozhat.

Ha a lencse párássodni kezd, akkor használja a SCUBAPRO páramentesítő szert (cikkszám: 24.090.000) a belső felületen, majd alaposan öblítse le a maszkot vízzel (új maszk esetén ismételje meg a műveletet háromszor).

Soha ne használjon oldószereket vagy tisztítószerkeket, például alkoholt stb. Szükség esetén csak folyékony szappant használjon.

FIGYELMEZTETÉS

Merülés előtt ajánlott a felszínen felvenni a felszerelést és a teljes arcmaszkot.

4.2 Merülés

Mielőtt felveszi az FM2/MK25EVO/S620Ti készüléket, vizsgálja meg, hogy annak minden alkatrésze merüléshez optimális állapotban van-e.

Ellenőrizze az összes csatot, hevedert, a második fokozat rögzítését, a keretet és az arcvédőt.

Helyezze fel a maszkot, és ellenőrizze, hogy nem ködösödik-e, és hogy képes-e kinyelteni.

FIGYELMEZTETÉS

Ne merüljön, amíg nem ellenőrizte a felszerelés és az FM2/MK25EVO/S620Ti jó állapotát és megfelelő működését.

Ha bármilyen hibát, sérülést vagy manipulációt észlel, azonnal forduljon egy SCUBAPRO által felhatalmazott szerviztechnikushoz.

FIGYELMEZTETÉS

Ügyeljen arra, hogy ne ugorjon arccal a vízbe, illetve a maszk ne ütdődjön éles tárgyakra: az erős ütdődés hatására a lencse kitörhet és sérülést okozhat a felhasználónak.

Az előzetes ellenőrzések elvégzése után viselje az FM2/MK25EVO/S620Ti maszkot az öt pánt végének beállításával, és húzza meg az öt pántot egyenként, egyszerre csak apránként húzva mindegyik végét, amíg el nem éri a maszk optimális beállítását az arcán. (5.1. ábra)

A beállítás megkönnyítése érdekében ideiglenesen kiveheti a hevederek végeit a hurkokból.

A maszk meglazításához vagy eltávolításához enyhén emelje meg a csatok füleit, miközben húzza a megfelelő alsó pántokat (5.2. ábra).

FIGYELMEZTETÉS

2 méternél (6 láb) mélyebb szabad merüléskor a mélyben a víznyomás a bűvár arcához szorítja a maszkot. Tanúsított konfigurációban történő használat esetén elegendő normálisan lélegezni a problémák elkerüléséhez.

FIGYELMEZTETÉS

A bűvárkodás közben beszakadt dobhártya jelentette veszélyes állapot elkerülése érdekében csípje össze az orrát az ujjával, és csukott szájál fújjon, hogy levegőt nyomjon a dobhártya falának belsejébe.

A felszínen történő megállások során használhatja a maszkon található felszíni levegőbeszívó szelepet a menetes dugó (1-B ábra) kicsavarásával, hogy a palackból származó levegő felhasználása nélkül légköri levegőt lélegezhessen be.

Merülés előtt csavarja vissza teljesen a dugót, hogy az ismét lezárja a maszkot.

⚠ FIGYELMEZTETÉS

Merülés előtt győződjön meg arról, hogy a felszíni használatra szolgáló levegőbeszívó szelep zárva van, és a maszk le van zárva, hogy megakadályozza, hogy a víz bejusson a maszkba és elárhassa azt.

⚠ FIGYELMEZTETÉS

A SCUBAPRO azt ajánlja, hogy mindig legyen egy tartalék mentési rendszer: teljes szabályozó, amelynek első és második fokozatai nem csatlakoznak az FM2/MK25EVO/S620Ti maszkhoz stb.

A SCUBAPRO továbbá azt is ajánlja, hogy vigyen magával egy tartalék maszkot.

⚠ FIGYELMEZTETÉS

Az FM2 készüléket nem lehet merülés közben levenni és visszatenni. Ha az FM2-t víz alatt kell eltávolítani, ne tegye vissza. Használjon tartalék maszkot és szabályozót, és azonnal kezdje meg a felemelkedést.

5. A HASZNÁLATON KÍVÜLI REDUKTOR ÁPOLÁSA

Minden merülés után alaposan öblítse ki a maszkot friss vízzel, különösen, ha klóros vízben merül.

⚠ FIGYELMEZTETÉS

Mindenképpen öblítse le és tisztítsa meg alaposan az FM2/MK25EVO/S620Ti készüléket, különösen akkor, ha azt szennyezett vízben használták.

5.1 Fertőtlenítés

A SCUBAPRO a McNett Revivex tisztítószeret ajánlja. A csomagolásán feltüntetett eljárásnak és hígításnak megfelelően kell használni.

⚠ FIGYELMEZTETÉS

Ne használjon oldószereket vagy tisztítószereket, például alkoholt stb.

5.2 Tárolás

Hagyja megszáradni hűvös, napfénytől védett helyen, úgy helyezve, hogy a víz lefolyhasson róla.

Száradást követően tárolja a maszkot napfénytől védve, száraz helyen, szobahőmérsékleten.

HŐMÉRSÉKLETI HATÁRÉRTÉKEK -10°C / 60°C

6. KARBANTARTÁS

A jelen kézikönyvben leírtakon túlmenő műveleteket nem a felhasználó, hanem a SCUBAPRO szakképzett és felhatalmazott szakembere végezheti el.

Az FM2 arcvédő felújítását a SCUBAPRO meghatalmazott technikusának 2 évente kell végeznie. A nagyjavítás kötelező a garancia megőrzése érdekében. A szabályozókkal kapcsolatos karbantartásért lásd a SCUBAPRO szabályozók kézikönyvét.

Lásd a **Johnson Outdoors garanciális feltételeit**. A karbantartás elvégezhető a **KIVÁLASZTOTT SCUBAPRO MÁRKASZERVIZ** jelöléssel rendelkező SCUBAPRO márkakereskedőknél vagy megrendelhető a www.scubapro.com címen.

1. BELANGRIJKE WAARSCHUWINGEN:

WAARSCHUWING

Lees deze handleiding goed door en neem het product pas in gebruik als u de inhoud begrijpt. Aanbevolen wordt deze handleiding te bewaren zolang u het product in uw bezit heeft.

WAARSCHUWING

Als u gaat duiken, moet u de regels respecteren en de vaardigheden uitvoeren zoals u dit bij een erkende duikopleidingsorganisatie heeft geleerd. Voordat u gaat duiken, moet u een duikopleiding hebben gevolgd waarin zowel de theoretische als praktische aspecten van duiken met een volgelaatsmasker zijn behandeld, en u moet ook voor deze opleiding geslaagd zijn.

WAARSCHUWING

Deze handleiding kan een duikopleiding niet vervangen!

WAARSCHUWING

Meer informatie over de kenmerken, het gebruik, de verzorging en het onderhoud van de MK25EVO/S620Ti ademautomaat vindt u in de handleiding van de SCUBAPRO ademautomaten.

2. EUROPESE CERTIFICERING

Het FM2 gelaatsstuk en de MK25EVO/S620Ti ademautomaat vormen samen het FM2/MK25EVO/S620Ti volgelaatsmasker.

Voor het SCUBAPRO FM2/MK25EVO/S620Ti volgelaatsmasker is de Europese certificering afgegeven in overeenstemming met de Europese regels voor het op de markt brengen van en de fundamentele veiligheidsregels voor persoonlijke beschermingsmiddelen (PBM), Categorie 3. De certificering is afgegeven door de aangemelde instantie RINA, met uitsluitend het gebruik van de SCUBAPRO modellen ademautomaat die in deze handleiding zijn opgenomen.

De testen voor certificering zijn uitgevoerd overeenkomstig de geharmoniseerde norm EN250 om zeker te stellen dat de ademautomaten voldoen aan de fundamentele eisen voor gezondheid en veiligheid als opgenomen in de Europese Verordening 2016/425/EU.

De CE- en EN250-markering op het product bevestigen dat het product voldoet aan de genoemde vereisten.

Het getal 0474 is de identificatiecode van RINA, gevestigd aan de Via Corsica 12, 16128 Genua (GE), Italië, zijnde de erkende instantie die controleert of de productie voldoet aan de regelgeving als bepaald in Module B en D van 2016/425/EEG. De markering 232 bar en 300 bar op de eerste trap verwijst naar de maximale werkdruk van het PBM.

De fabrikant van de SCUBAPRO FM2/MK25EVO/S620Ti is SCUBAPRO EUROPE s.r.l., Via Tangoni 16, 16030 Casarza Ligure (GE) Italië. SCUBAPRO EUROPE s.r.l. heeft een systeem voor kwaliteitszorg dat door RINA is gecertificeerd in overeenstemming met de norm ISO9001:2015.

2.1 Norm EN 250:2014 - betekenis en vereisten

De eisen en testen als bepaald in de norm EN 250:2014 moeten een minimale mate van veiligheid voor de werking van onderwaterademhalingsapparatuur waarborgen. In Europa bepaalt de norm EN 250:2014 aan welke technische vereisten duikapparatuur minimaal moet voldoen - dit is de meest recente versie van de EN250-norm.

2.2 Beperkingen vastgelegd in EN250:2014

De duikset kan bestaan uit afzonderlijke componenten, zoals: duikcilinder(s), ademautomaat(maten) en gelaatsstuk.

De duikset is uitsluitend bedoeld voor gebruik onder water door duikers.

Het FM2/MK25EVO/S620Ti volgelaatsmasker bestaat uit een gelaatsstuk dat is geïntegreerd met een ademautomaat. Het is een PBM dat de ogen tegen contact met water alsmede de luchtwegen die worden blootgesteld aan druk, beschermt, en tijdens de duik ademlucht aanvoert onder de vereiste gebruiksomstandigheden.

De FM2/MK25EVO/S620Ti kan worden gebruikt met duikcomplementen die zijn gecertificeerd in overeenstemming met Verordening EU 2016/425 en de norm EN250:2014. De lucht in de flessen moet voldoen aan de eisen voor ademlucht als bepaald in EN12021. Het product is goedgekeurd voor gebruik tot een diepte van 50 meter. Duikers moeten zich echter altijd houden aan de limieten als bepaald in de lokale regelgeving op de duiklocatie.

BELANGRIJK

De Europese certificering van het PBM FM2/MK25EVO/S620Ti heeft betrekking op het volledige product bestaande uit:

- 1) Een SCUBAPRO FM2-gelaatsstuk.
- 2) Een S620Ti tweede trap die aan de voorzijde van het FM2 gelaatsstuk is gemonteerd en is aangesloten op één MK25EVO eerste trap.

WAARSCHUWING

Het FM2 gelaatsstuk is alleen gecertificeerd met de modellen ademautomaten die in deze handleiding worden genoemd en waarmee de Europese testen voor certificering zijn uitgevoerd, in overeenstemming met de norm EN250:2014.

Het gebruik van FM2 met andere ademautomaten valt buiten het bereik van de certificering.

WAARSCHUWING

Elke wijziging van de configuratie van de FM2/MK25EVO/S620Ti die niet is opgenomen in de gecertificeerde Europese configuratie zoals beschreven in deze handleiding, met inbegrip van bijvoorbeeld de lagedrukslang die bij de ademautomaat wordt geleverd, heeft tot gevolg dat het product niet langer in overeenstemming met de Europese certificeringsnorm is.

De maximale werkdruk hangt af van de aansluiting van de MK25 EVO/S620Ti-ademautomaat: 300 bar in het geval van een DIN-aansluiting en 232 bar bij een INT-aansluiting - dit staat aangegeven op de eerste trap.

In de handleiding van de SCUBAPRO ademautomaten vindt u meer technische specificaties en informatie over de ademautomaat.

De FM2/MK25EVO/S620Ti is gecertificeerd voor gebruik in koud water, d.w.z. bij een temperatuur onder 10°C.

2.2.1 OCTOPUS (extra tweede trap voor noodgevallen)

Onder een octopus verstaat men gewoonlijk een extra tweede trap die de duiker in geval van nood kan gebruiken (bijvoorbeeld wanneer de primaire tweede trap niet werkt).

WAARSCHUWING

Uitsluitend duikmateriaal dat voldoet aan de norm EN250:2014 en de markering 'EN250A' of 'EN250A>10°C' draagt, mag door meer dan één duiker tegelijk als reddingsmateriaal worden gebruikt.

WAARSCHUWING

Als een duikset is gemonteerd voor en wordt gebruikt door meerdere duikers tegelijk, mag deze niet worden gebruikt dieper dan 30 meter en niet in water met een temperatuur onder 4°C indien gemarkeerd met 'EN250A', en onder 10°C indien gemarkeerd met 'EN250A>10°C'

De EN250A-markering staat op de eerste en tweede trap van de MK25EVO/S620Ti-ademautomaat. Op het FM2-gelaatsstuk staat EN250 vermeld.

2.3 Belangrijke opmerkingen

Met het oog op uw veiligheid bij gebruik van SCUBAPRO levensondersteunende apparatuur vragen wij uw aandacht voor het volgende:

1. Gebruik de apparatuur in overeenstemming met de aanwijzingen die in deze handleiding staan vermeld, en niet voordat u alle aanwijzingen en waarschuwingen heeft gelezen en begrijpt.
2. Gebruik van de apparatuur is beperkt tot de toepassingen als vermeld in deze handleiding en tot toepassingen die SCUBAPRO schriftelijk heeft goedgekeurd.
3. Duikflessen mogen uitsluitend gevuld worden met gecompriëerde atmosferische lucht conform de norm EN 12021. Als er vocht in de duikfles zit, kan dit niet alleen leiden tot corrosie van de fles, maar ook tot bevroering en als gevolg daarvan een slechte werking van de ademautomaat tijdens duiken bij lage temperaturen (onder 10°C). Duikflessen moeten conform de lokale regelgeving inzake het transport van gevaarlijke stoffen worden vervoerd. Op het gebruik van duikflessen is de wetgeving van toepassing waarin het gebruik van gassen en gecompriëerde lucht is geregeld.
4. De apparatuur moet worden onderhouden door een erkende SCUBAPRO servicemonteur volgens de voorgeschreven frequentie.
Het onderhoud moet worden geregistreerd. Bij reparatie en onderhoud mogen uitsluitend SCUBAPRO onderdelen worden gebruikt.

5. Indien de apparatuur niet wordt onderhouden of gerepareerd conform de procedures zoals goedgekeurd door SCUBAPRO, of door niet-opgeleid of niet door SCUBAPRO erkend personeel, of indien de apparatuur op een andere wijze of voor een ander doel wordt gebruikt dan specifiek aangegeven, wordt de aansprakelijkheid voor de juiste en veilige werking van de apparatuur verlegd naar de eigenaar/gebruiker.
6. Ga altijd door met ademen - houd nooit uw adem in.
7. Alle duiken moeten zodanig worden gepland en uitgevoerd dat u aan het einde van de duik nog een redelijke reserve aan ademgas voor noodsituaties heeft. Een reserve van 50 bar wordt in het algemeen aangeraden.
8. Indien de apparatuur wordt gebruikt in koud water (temperatuur onder 10°C), moet u een ademautomaat gebruiken die voor dergelijke temperaturen geschikt is.

WAARSCHUWING

Voor duiken in koud water heeft u speciale apparatuur en technieken nodig. Wij raden u dringen aan om voordat u in koud water gaat duiken, hiervoor een opleiding te volgen bij een erkende opleidingsorganisatie.

9. De inhoud van deze handleiding is gebaseerd op de informatie zoals deze bekend was toen de handleiding ter perse ging. SCUBAPRO behoudt zich het recht voor om te allen tijde wijzigingen aan te brengen. SCUBAPRO wijst alle verantwoordelijkheid voor schade als gevolg van het niet naleven van de aanwijzingen in deze handleiding af. Deze aanwijzingen breiden de garantie of de verantwoordelijkheden als vermeld in de SCUBAPRO verkoop- en leveringsvoorwaarden niet uit. Onderhoud moet worden verricht door een gekwalificeerde SCUBAPRO servicemonteur en het onderhoudsdossier moet worden bewaard. Zo niet, dan komt de garantie te vervallen. Voor meer informatie kunt u terecht bij een Authorized SCUBAPRO Dealer.

3. ALGEMENE KENMERKEN

WAARSCHUWING

Alleen de de ademautomaat in de combinatie MK25EVO/S620Ti is gecertificeerd voor montage op en gebruik met het FM2-gelaatsstuk.

Configuraties van de MK25EVO/S620Ti die zijn gecertificeerd met de FM2, zijn uitsluitend configuraties met standaardslangen van 75 cm van SCUBAPRO, zonder extra wartels of ellebogen.

Wanneer de luchtinlaatklep voor gebruik aan de oppervlakte (afb. 1-B) wordt geopend, voorkomt u dat u kostbare lucht al vóór de duik verbruikt. Wanneer u onder wilt gaan, sluit u de luchtinlaatklep, waarna u uit de tweede trap ademt en de duik kunt beginnen.

Het FM2-gelaatsstuk is onder de kin voorzien van een waterloosventiel, zodat water op effectieve en natuurlijke wijze uit het gelaatsstuk wordt afgevoerd. In de originele en gecertificeerde configuratie is het gelaatsstuk uitgerust met een beschermend pijpje voor de afvoerlepip (afb. 1-C).

Dit pijpje voorkomt dat de tweede trap tijdens de duik gaat blazen als gevolg van het verschil in hydrostatische druk dat onder bepaalde omstandigheden ontstaat door de relatieve positie van de luchtbron.

WAARSCHUWING

Wanneer de beschermpijp van de waterafvoerlepip wordt verwijderd, is dat een wijziging in de gecertificeerde configuratie en wordt niet langer voldaan aan de Europese certificeringsnorm.

Op het FM2-gelaatsstuk zijn aansluitingen aangebracht voor de montage van accessoires, zoals de SCUBAPRO HUD duikcomputer (montagekits voor accessoires zijn los verkrijgbaar).

Meer over kenmerken en gebruik leest u onder GEBRUIK.

4. GEBRUIK

4.1 *De duik voorbereiden - belangrijke waarschuwingen voor gebruik*

Aan de voorkant van het masker zit de aansluiting voor de tweede trap.

De set componenten die nodig is voor het aansluiten van de tweede trap, is al op de aansluiting gemonteerd (afb. 1 en 2).

Deze set, die op het huis (D) is geschroefd, bestaat uit een ring (A), een sluitring (E), een afstandsbus (G) en een rubberen huls (F).

U sluit de tweede trap als volgt aan.

Haal het mondstuk van de tweede trap door de tie-wrap die het mondstuk op zijn plaats houdt, te verwijderen.

Schroef de ring (A) volledig los. Let op dat de drie onderdelen - ring (A), afstandsbus (G) en huls (F) - als set bij elkaar blijven (afb. 3.1). De sluitring (E) blijft op zijn plaats op het huis (D).

Let op dat de sluitring (E) zo wordt geplaatst dat de twee afdichtende ribben naar het rubber van de rand wijzen (vergroting in afb. 2.1).

Plaats de tweede trap in de rubberen huls (F).

Zet de tweede trap vervolgens vast in deze rubberen huls met de bijgeleverde tie-wrap (H). Trek de tie-wrap goed aan.

Plaats het geheel weer op het gelaatsstuk - draai de ring (A) goed vast zodat het geheel goed blijft zitten (afb. 4). Let op dat het huis tijdens het schroeven niet meedraait - het driehoekje op de achterzijde van het huis (D) moet voortdurend naar boven wijzen (afb. 3.2).

WAARSCHUWING

Controleer wanneer u het geheel in elkaar zet, altijd of de tweede trap goed is vastgezet met de bijgeleverde tie-wrap.

Wanneer de tweede trap niet (goed) is vastgezet, kan dit een zeer gevaarlijke situatie opleveren tijdens de duik. Dit kan leiden tot ongelukken en (dodelijk) letsel.

Als het glas beslaat, behandel het dan aan de binnenzijde met anticondensmiddel van SCUBAPRO (art. 24.090.000). Spoel het masker daarna goed af met water (doe dit driemaal als het masker nieuw is).

Gebruik nooit oplosmiddelen of reinigingsmiddelen, zoals alcohol, enz. Gebruik indien nodig alleen vloeibare zeep.

WAARSCHUWING

Aanbevolen wordt om vóór de duik boven water de uitrusting aan te trekken en het vorgelaatsmasker op te zetten.

4.2 Duiken

Controleer voordat u de FM2/MK25EVO/S620Ti opzet of alle onderdelen in optimale staat voor een duik zijn.

Controleer alle gespen, banden, de aansluiting van de tweede trap, het frame en het gelaatsstuk.

Zet het masker op uw gezicht en controleer of het niet beslaat en of u kunt klaren.

WAARSCHUWING

Ga alleen duiken wanneer je hebt gecontroleerd en geconstateerd dat de uitrusting en de en FM2/MK25EVO/S620Ti in goede staat verkeren en correct werken.

Als u defecten of schade opmerkt of constateert dat er met de materialen is geknoeid, neem dan onmiddellijk contact op met een erkende SCUBAPRO servicemonteur.

WAARSCHUWING

Duik niet met het gezicht omlaag het water in en laat het masker niet vallen op scherpe objecten: door de klap kan het glas breken met letsel als gevolg.

Na deze eerste controle van het FM2/MK25EVO/S620Ti vorgelaatsmasker stelt u de vijf banden af – trek de banden een voor een een klein stukje aan totdat het masker goed op uw gezicht zit. (afb. 5.1)

Het afstellen gaat makkelijker wanneer u de uiteinden van de banden uit de lussen haalt.

Om het masker losser te doen of af te zetten tilt u de lipjes van de gespen iets op en trekt u aan de bijbehorende banden onderaan (afb. 5.2).

WAARSCHUWING

Wanneer u tijdens de duik dieper komt dan 2 meter, wordt het masker als gevolg van de druk tegen het gelaat gedrukt.

Bij gebruik in een gecertificeerde configuratie hoeft u alleen maar normaal te ademen om problemen te voorkomen.

WAARSCHUWING

Ter voorkoming dat het trommelvlies tijdens de duik scheurt – een gevaarlijke situatie – knijpt u de neus met uw vingers dicht en blaast u met gesloten mond lucht naar de binnenzijde van het trommelvlies.

Aan het wateroppervlak kunt u de plug met schroefdraad (afb. 1-B) van het luchtinlaatventiel op het masker losdraaien zodat u kunt ademen zonder lucht uit de fles te gebruiken.

Voordat u weer ondergaat, draait u de plug weer helemaal vast zodat er geen water in het masker kan lopen.

⚠ WAARSCHUWING

Let op dat voordat u onder water gaat, het luchtinlaatventiel voor gebruik boven water dicht is en het masker goed op uw gelaat aansluit, zodat het masker niet volloopt met water.

⚠ WAARSCHUWING

SCUBAPRO raadt aan om altijd een back-up mee te nemen: een complete ademautomaat met eerste en tweede trap die niet is aangesloten op het FM2/MK25EVO/S620Ti-masker, enz.
SCUBAPRO raadt ook aan om een reservemasker mee te nemen onder water.

⚠ WAARSCHUWING

U kunt de FM2 tijdens de duik niet afzetten en weer op doen. Moet u de FM2 onder water toch afdoen, zet het masker dan niet weer op. Gebruik uw reservemasker en -ademautomaat en begin onmiddellijk aan de opstijging.

5. VERZORGING INDIEN NIET IN GEBRUIK

Spoel het masker na elke duik goed af met leidingwater, zeker als u in chloorwater heeft gelegen.

⚠ WAARSCHUWING

Voorals de FM2/MK25EVO/S620Ti in verontreinigd water is gebruikt, moet deze grondig worden afgespoeld en gereinigd.

5.1 Desinfecteren

SCUBAPRO adviseert het gebruik van McNett Revivex Cleaner. Gebruik het product verdund en conform de instructies, zoals op de verpakking staat vermeld.

⚠ WAARSCHUWING

Gebruik geen oplosmiddelen of reinigingsmiddelen, zoals alcohol enz.

5.2 Opbergen

Laat het masker drogen op een koele plaats uit de zon – zet het zo neer dat het water wegloopt.

Berg het masker zodra het droog is, op een droge plaats bij kamertemperatuur en uit de zon op.

MINIMALE/MAXIMALE TEMPERATUUR -10°C / 60°C

6. ONDERHOUD

Werkzaamheden die niet in deze handleiding staan beschreven, mogen niet worden uitgevoerd door de gebruiker, maar uitsluitend door een gekwalificeerde en erkende SCUBAPRO servicemonteur.

Het FM2-gelaatsstuk moet elke 2 jaar worden onderhouden door een erkende SCUBAPRO servicemonteur. Alleen dan behoudt u het recht op garantie. Meer informatie over het onderhoud aan de ademautomaat vindt u in de handleiding voor SCUBAPRO ademautomaten.

Meer informatie over garantie vindt u in de garantievoorwaarden van Johnson Outdoors. Onderhoud wordt uitgevoerd door Authorized SCUBAPRO Dealers die herkenbaar zijn aan het logo SELECTED DEALER SCUBAPRO. Voor een overzicht van deze dealers kunt u ook terecht op www.scubapro.com.

1. WAŻNE OSTRZEŻENIA

UWAGA!

Niniejszą instrukcję należy przeczytać i w całości zrozumieć przed rozpoczęciem użytkowania produktu. Zaleca się zatrzymanie niniejszej instrukcji na cały okres żywotności produktu.

UWAGA!

Podczas nurkowania należy stosować się do zasad i oraz wykorzystywać umiejętności nabyte w agencji nurkowej posiadającej odpowiednie uprawnienia. Przed wzięciem udziału w jakichkolwiek czynnościach nurkowych należy obowiązkowo ukończyć kurs nurkowania w zakresie wiedzy teoretycznej i technicznych aspektów nurkowania z maską pełnotwarzową.

UWAGA!

Niniejsza instrukcja obsługi nie zastępuje kursu nurkowania.

UWAGA!

Szczegółowe informacje na temat funkcji, użytkowania, pielęgnacji i konserwacji automatu MK25EVO/S620Ti można znaleźć w instrukcji obsługi automatów SCUBAPRO.

2. CERTYFIKACJA EUROPEJSKA

Część twarzowa FM2 i automat MK25EVO/S620Ti tworzą razem maskę pełnotwarzową FM2/MK25EVO/S620Ti. Maskę pełnotwarzową SCUBAPRO FM2/MK25EVO/S620Ti uzyskała certyfikację europejską zgodnie z przepisami europejskimi dotyczącymi warunków wprowadzania do obrotu oraz spełniania podstawowych zasad bezpieczeństwa dla środków ochrony indywidualnej (ŚOI) trzeciej kategorii. Certyfikat został wydany przez jednostkę notyfikowaną RINA. Certyfikację przeprowadzono jedynie z wykorzystaniem modeli automatów SCUBAPRO opisanych w niniejszej instrukcji.

Testy certyfikacyjne zostały przeprowadzone zgodnie ze zharmonizowaną normą EN250:2014, aby zapewnić zgodność z podstawowymi wymaganiami dotyczącymi zdrowia i bezpieczeństwa, określonymi w rozporządzeniu europejskim 2016/425/UE.

Oznaczenia CE i EN250 na produkcie oznaczają zgodność z wymienionymi wymogami.

Numer 0474 jest numerem identyfikacyjnym RINA Via Corsica, 12, 16128 Genova (GE) Włochy, jednostki notyfikowanej oceniającej zgodność i kontrolującej produkcję zgodnie z modułami B i D rozporządzenia 2016/425/UE. Oznaczenia 232 bar i 300 bar na pierwszym stopniu wskazują maksymalne ciśnienie wlotowe ŚOI.

Producentem maski pełnotwarzowej SCUBAPRO FM2/MK25EVO/S620Ti jest SCUBAPRO EUROPE s.r.l., Via Tangoni 16, 16030 Casarza Ligure (GE) Włochy. Spółka SCUBAPRO EUROPE s.r.l. wdrożyła system zarządzania jakością certyfikowany przez RINA zgodnie z normą ISO9001:2015.

2.1 Norma EN 250:2014 – znaczenie i wymagania

Wymagania i testy określone w normie EN 250:2014 mają na celu zagwarantowanie minimalnego poziomu bezpieczeństwa użytkownika podwodnych aparatów oddechowych. W Europie norma EN 250:2014 definiuje minimalne wymagania techniczne, które muszą spełniać autonomiczne podwodne aparaty nurkowe (SCUBA) i jest najnowszą wersją normy EN250.

2.2 Ograniczenia przewidziane w normie EN250:2014

Aparat oddechowy może składać się z oddzielnych elementów, takich jak: butle, automaty, manometr i maska.

Aparat oddechowy służy wyłącznie do nurkowania pod wodą.

Maska pełnotwarzowa FM2/MK25EVO/S620Ti składa się z części twarzowej zintegrowanej z automatem oddechowym i jest ŚOI, który chroni oczy przed kontaktem z wodą i drogi oddechowe poddane działaniu ciśnienia, dostarczając powietrze do oddychania w niezbędnych warunkach użytkowania podczas nurkowania.

Maskę pełnotwarzową FM2/MK25EVO/S620Ti można używać z elementami aparatu oddechowego, certyfikowanymi zgodnie z przepisami normy UE 2016/425 and EN 250:2014. Powietrze w butlach powinno spełniać wymagania dotyczące powietrza do oddychania, określone w normie EN 12021. Głębokość certyfikowana to 50 metrów (164 stopy). W żadnym wypadku nie wolno przekraczać ograniczeń wyznaczonych przez miejscowe przepisy prawne, obowiązujących w miejscu nurkowania.

WAŻNE

Europejska certyfikacja ŚOI FM2/MK25EVO/S620Ti odnosi się do kompletnego produktu składającego się z następujących elementów:

- 1) Część twarzowa SCUBAPRO FM2.
- 2) Drugi stopień S620Ti zamontowany z przodu na części twarzowej FM2 i podłączony do pojedynczego pierwszego stopnia MK25EVO.

⚠ UWAGA!

Certyfikat części twarzowej FM2 jest ważny wyłącznie z modelami automatów określonymi w niniejszej instrukcji, z którymi przeprowadzono europejskie testy certyfikacyjne zgodnie z normą EN250:2014. Certyfikacja nie obejmuje użytkowania części twarzowej FM2 z innymi automatami.

⚠ UWAGA!

Wszelkie zmiany w konfiguracji maski pełnotwarzowej FM2/MK25EVO/S620Ti, które nie zostały uwzględnione w konfiguracji certyfikowanej europejskiej opisanej w niniejszej instrukcji, w tym na przykład wąż niskiego ciśnienia dostarczony z automatem, powodują utratę zgodności z normą europejskiej certyfikacji.

Maksymalne ciśnienie robocze zależy od zastosowanego złącza automatu MK25 EVO/S620Ti: 300 bar w przypadku złącza DIN i 232 bar w przypadku złącza INT, zgodnie z oznaczeniem podanym na pierwszym stopniu. Więcej szczegółów technicznych i informacji na temat automatu można znaleźć w instrukcji automatu SCUBAPRO.

Maska pełnotwarzowa FM2/MK25EVO/S620Ti jest certyfikowana do użytku w zimnej wodzie, tj. w temperaturach poniżej 10°C (50°F).

2.2.1 OKTOPUS (pomocnicze urządzenie do oddychania w nagłych wypadkach)

Oktopus uważany jest zwykle za pomocniczy drugi stopień w sytuacjach awaryjnych, używany przez pletwonurka w razie potrzeby (na przykład nieprawidłowego działania głównego drugiego stopnia).

⚠ UWAGA!

Tylko sprzęt nurkowy zgodny z normą EN250:2014 z automatem oddechowym oznaczonym „EN250A” lub „EN250A>10°C” może być używany jako urządzenie ratunkowe przez więcej niż jednego pletwonurka jednocześnie.

⚠ UWAGA!

Jeżeli sprzęt nurkowy przygotowany jest do jednoczesnego używania przez więcej niż jednego pletwonurka, nie należy przekraczać maksymalnej głębokości 30 metrów i nurkować w wodzie o temperaturze niższej niż 4°C, gdy sprzęt nurkowy oznaczony jest jako „EN250A”, oraz nie niższej niż 10°C, jeśli oznaczony jest jako „EN250A>10°C”.

Oznaczenie EN250A można znaleźć na pierwszym i drugim stopniu automatu MK25EVO/S620Ti. Część twarzowa FM2 ma oznaczenie EN250.

2.3 Ważne uwagi

Dla własnego bezpieczeństwa, podczas użytkowania sprzętu do regulacji składu powietrza SCUBAPRO, należy zwrócić uwagę na następujące warunki:

1. Eksploatować sprzęt zgodnie z instrukcjami zawartymi w niniejszej instrukcji oraz tylko po zapoznaniu się i zrozumieniu wszystkich instrukcji i ostrzeżeń.
2. Eksploatacja sprzętu ograniczona jest to zastosowań opisanych w niniejszej instrukcji lub pisemnie zatwierdzonych przez SCUBAPRO.
3. Butle powinny być napełniane wyłącznie sprężonym powietrzem atmosferycznym, zgodnie z normą EN 12021. Jeśli w butli nagromadzi się wilgoć może to, poza ewentualną korozją butli, wywołać zamarzanie i dalsze nieprawidłowości w funkcjonowaniu automatu podczas zanurzeń przeprowadzanych w niskich temperaturach (poniżej 10°C (50°F)). Butle powinny być transportowane zgodnie z lokalnymi przepisami dotyczącymi transportu produktów niebezpiecznych. Użytkowanie butli podlega przepisom regulującym eksploatację gazów i sprężonego powietrza.
4. Sprzęt musi być poddawany przeglądowi przez autoryzowanego serwisanta SCUBAPRO w określonych odstępach czasu.

Przeglądy muszą być udokumentowane. Podczas napraw i prac konserwacyjnych należy używać wyłącznie części zamiennych SCUBAPRO.

5. Jeśli sprzęt będzie serwisowany lub naprawiany bez przestrzegania procedur zatwierdzonych przez SCUBAPRO, bądź przez personel nieprzeszkolony lub nieposiadający atestu SCUBAPRO, lub też użytkowany będzie w sposób i do celów sprzecznych z przeznaczeniem, odpowiedzialność za poprawność i bezpieczeństwo użytkowania sprzętu ponosić będzie jego właściciel/użytkownik.
6. Oddychanie musi być ciągle, bez wstrzymywania oddechu.
7. Wszystkie zanurzenia muszą być zaplanowane i przeprowadzane tak, by na zakończenie zanurzenia nurkowi pozostawała odpowiednia rezerwa do użytku awaryjnego. Zalecana ilość to z reguły 50 barów (725 psi).
8. Jeśli aparat nurkowy użytkowany będzie w zimnej wodzie (temperatura poniżej 10°C (50°F)) konieczne będzie zastosowanie automatu odpowiedniego do takich temperatur.

UWAGA!

Nurkowanie w zimnej wodzie wymaga specjalnego sprzętu i technik. Przed nurkowaniem w zimnej wodzie stanowczo zalecamy odbycie odpowiedniego szkolenia w agencji szkoleniowej posiadającej uprawnienia.

9. Treść niniejszej instrukcji oparta jest na najnowszej informacji dostępnej w momencie przekazywania jej do druku. SCUBAPRO zastrzega sobie prawo do wprowadzania zmian w każdej chwili.

SCUBAPRO nie ponosi odpowiedzialności za szkody spowodowane niestosowaniem się do instrukcji zawartych w niniejszym dokumencie. Instrukcje te nie rozszerzają gwarancji ani obowiązków wyszczególnionych przez warunki sprzedaży i dostawy SCUBAPRO.

W celu utrzymania gwarancji wszelkie prace muszą być wykonywane przez wykwalifikowanego serwisanta SCUBAPRO; należy też zachować dokumentację z napraw. Aby uzyskać szczegółowe informacje, należy skontaktować się z autoryzowanym dealerem SCUBAPRO.

3. OGÓLNA CHARAKTERYSTYKA

UWAGA!

Tylko zestaw automatu MK25EVO/S620Ti jest certyfikowany do montażu i użytkowania z częścią twarową FM2.

Jedynymi konfiguracjami MK25EVO/S620Ti z certyfikatem FM2 są te wyposażone w standardowe węże SCUBAPRO o długości 75 cm, bez dodatkowych ruchomych połączeń lub kolanek.

Otwarcie zaworu wlotu powietrza na czas przebywania na powierzchni wody (rysunek 1-B) pozwala uniknąć zużycia powietrza przydatnego do nurkowania. Wystarczy zamknąć ten zawór, aby zacząć oddychać z drugiego stopnia i rozpocząć nurkowanie.

Część twarzowa FM2 ma zawór spustowy wody pod brodą, który zapewnia szczególnie skuteczne i naturalne odprowadzanie wody. Originalny i certyfikowany model jest wyposażony w rękę ochronną zaworu spustowego (rysunek 1-C).

Rurka zapobiega swobodnemu przepływowi powietrza z drugiego stopnia automatu podczas nurkowania, który może być spowodowany różnicą ciśnienia hydrostatycznych generowaną, w pewnych warunkach, przez względne położenie źródła powietrza.

UWAGA!

Usunięcie rurki ochronnej zaworu spustowego wody stanowi zmianę certyfikowanej konfiguracji i oznacza utratę zgodności z normą europejskiej certyfikacji.

Część twarzowa FM2 wyposażona jest w złącza do montażu akcesoriów, w tym komputera nurkowego SCUBAPRO HUD (zestawy do montażu akcesoriów są dostępne osobno).

Szczegółowe informacje na temat funkcji i użytkowania można znaleźć w sekcji UŻYTKOWANIE

4. UŻYTKOWANIE

4.1 Przygotowanie do nurkowania — ważne ostrzeżenia przed przystąpieniem do użytkowania

W przedniej części maski znajduje się złącze przeznaczone do umieszczenia drugiego stopnia.

Złącze ma już zamontowaną grupę elementów niezbędnych do podłączenia drugiego stopnia (rysunki 1 i 2).

Ta grupa, przykręcona do korpusu (D), składa się z pierścienia (A), podkładki (E), elementu dystansowego (G) i gumowej tulei (F).

Poniżej podano instrukcję montażu drugiego stopnia.

Zdjąć ustnik z drugiego stopnia po poluzowaniu paska, który utrzymuje go na miejscu.

Całkowicie odkręcić pierścieni (A), zachowując trzy elementy, pierścieni (A), element dystansowy (G) i tuleję (F) wstępnie zmontowane, jak pokazano na rysunku 3.1, i zostawić podkładkę (E) na miejscu na korpusie (D).

Upewnić się, że podkładka (E) jest zamontowana w taki sposób, że dwie wypustki uszczelniające są skierowane w stronę gumowej części kołnierza (powiększenie 2.1).

Włożyć drugi stopień do gumowej tulei (F).

Następnie za pomocą dostarczonego paska (H) zabezpieczyć drugi stopień włożony do gumowej tulei, upewniając się, że jest odpowiednio zaciśnięty.

Zamontować cały zespół z powrotem na części twarzowej, przykręcając pierścieni (A) i dokręcając go do końca, aby zapewnić bezpieczne połączenie całego zespołu (rysunek 4). Podczas przykręcania należy upewnić się, że korpus nie obraca się. W tym celu sprawdzić, czy mały trójkąt widoczny z tyłu korpusu (D) pozostaje skierowany do góry, jak na rysunku 3.2.

UWAGA!

Podczas wykonywania wstępnych czynności montażowych należy zawsze sprawdzić, czy grupa przyłączeniowa drugiego stopnia oraz fabryczny pasek mocujący drugi stopień są prawidłowo dociągnięte.

Nieprawidłowe dociągnięcie może być bardzo niebezpieczne podczas nurkowania oraz powodować wypadki i obrażenia, nawet śmiertelne.

W przypadku pewnowania szkielec można nałożyć roztwór przeciwko parowaniu SCUBAPRO (P/N 24.090.000) na powierzchnię wewnętrzną, a następnie dokładnie wypłukać maskę wodą (powtórzyc tę czynność trzy razy, jeżeli maska jest nową).

Nie używać rozpuszczalników ani środków czyszczących, takich jak alkohol itp. W razie potrzeby używać tylko mydła w płynie.

UWAGA!

Zaleca się założenie sprzętu i maski pełnotwarzowej na powierzchni przed nurkowaniem.

4.2 Nurkowanie

Przed założeniem maski pełnotwarzowej FM2/MK25EVO/S620Ti należy sprawdzić, czy stan wszystkich części jest optymalny do nurkowania.

Sprawdzić wszystkie klamry, paski, mocowanie drugiego stopnia, oprawkę i część twarzową.

Przyłożyć maskę do twarzy i sprawdzić, czy szkło nie jest zaparowane i czy można wyrównać ciśnienie.

UWAGA!

Nie należy nurkować bez uprzedniego sprawdzenia stanu technicznego oraz prawidłowego działania sprzętu i maski pełnotwarzowej FM2/MK25EVO/S620Ti.

W przypadku zauważenia jakichkolwiek usterek, uszkodzeń lub ingerencji należy niezwłocznie skontaktować się z autoryzowanym serwisem SCUBAPRO.

UWAGA!

Nie skakać do wody twarzą w dół ani nie upuszczać maski na ostre przedmioty. Silne uderzenie może uszkodzić szkło i spowodować obrażenia ciała użytkownika.

Po przeprowadzeniu wstępnych czynności kontrolnych założyć maskę pełnotwarzową FM2/MK25EVO/S620Ti. Wyregulować dopasowanie za pomocą pięciu pasków. W tym celu należy je napiąć, stopniowo pociągając za koniec każdego paska osobno, aż do uzyskania optymalnego dopasowania maski do twarzy. (rysunek 5.1)

Aby ułatwić regulację, można tymczasowo wysunąć końce pasków ze szlufek.

Aby poluzować lub zdjąć maskę, należy lekko unieść zaczepy klamry, pociągając jednocześnie za odpowiednie dolne paski (rysunek 5.2).

UWAGA!

Podczas swobodnego nurkowania na głębokości większej niż 2 metry (6 stóp) ciśnienie dociska maskę do twarzy.

W przypadku korzystania z certyfikowanej konfiguracji wystarczy oddychać normalnie, aby uniknąć problemów.

UWAGA!

Aby uniknąć niebezpiecznego dla zdrowia zmiążdżenia błony bębenkowej podczas nurkowania, należy ścisnąć nos palcami i dmuchać z zamkniętymi ustami, aby wtłoczyć powietrze do wnętrza ściany błony bębenkowej.

Podczas przerw na powierzchni wody można użyć zaworu wlotu powietrza znajdującego się na masce, odkręcając gwintowaną zatyczkę (rysunek 1-B) do oddychania powietrzem atmosferycznym bez użycia powietrza z butli.

Przed nurkowaniem całkowicie przykręcić zatyczkę, aby ponownie uszczelnić maskę.

UWAGA!

Przed nurkowaniem należy upewnić się, że zawór wlotu powietrza do użytku na powierzchni wody jest zamknięty, a maska szczelnie przylega, aby zapobiec przedostawaniu się wody i zalaniu maski.

UWAGA!

SCUBAPRO zaleca, aby zawsze mieć dostępny zapasowy system ratunkowy: cały automat z pierwszym i drugim stopniem niepodłączony do maski pełnotwarzowej FM2/MK25EVO/S620Ti itp. SCUBAPRO zaleca również noszenie ze sobą zapasowej maski.

UWAGA!

Zdjęcie i ponowne założenie części twarzowej FM2 podczas nurkowania nie jest możliwe. W razie konieczności zdjęcia części twarzowej FM2 pod wodą nie należy zakładać jej ponownie. Użyć zapasowej maski i automatów oraz natychmiast rozpocząć bezpieczne wynurzenie.

5. PRZECHOWYWANIE PO UŻYTKOWANIU

Maskę należy dokładnie przepłukać świeżą wodą po każdym nurkowaniu, zwłaszcza jeśli odbywało się w chlorowanej wodzie.

UWAGA!

W szczególności, jeśli maski pełnotwarzowej FM2/MK25EVO/S620Ti używano w zanieczyszczonej wodzie, należy ją dokładnie wypłukać i wyczyścić.

5.1 *Dezynfekcja*

SCUBAPRO zaleca stosowanie środka czyszczącego McNett Revivex. Stosować zgodnie z procedurą, w rozcieńczeniu podanym na opakowaniu.

UWAGA!

Nie używać rozpuszczalników ani detergentów, takich jak alkohol itp.

5.2 *Przechowywanie*

Pozostawić do wyschnięcia w chłodnym miejscu z dala od światła słonecznego, w pozycji umożliwiającej spływanie wody.

Po wyschnięciu maskę przechowywać z dala od światła słonecznego w suchym miejscu w temperaturze pokojowej.

LIMITY TEMPERATURE od -10°C do 60°C

6. KONSERWACJA

Czynności wykraczające poza opisane w niniejszej instrukcji nie mogą być wykonywane przez użytkownika, lecz przez wykwalifikowanego i autoryzowanego serwisanta SCUBAPRO.

Przeglądu części twarzowej FM2 musi dokonywać wyłącznie autoryzowany serwisant SCUBAPRO co 2 lata. Przegląd jest obowiązkowy w celu zachowania gwarancji. Informacje na temat konserwacji automatów można znaleźć w instrukcji obsługi automatów SCUBAPRO.

Prosimy zapoznać się z odpowiednimi warunkami gwarancji Johnson Outdoors. Serwisem zajmują się autoryzowani sprzedawcy SCUBAPRO, posiadający znak WYBRANYCH DEALERÓW SCUBAPRO. Znaleźć ich także można, korzystając ze strony internetowej www.scubapro.com.

1. AVISOS IMPORTANTES

AVISO

Leia atentamente este manual na íntegra, ciente de tê-lo entendido, antes de utilizar o equipamento. Recomendamos que tenha em mãos este manual durante a vida útil do seu produto.

AVISO

Quando for mergulhar, observe as normas e aplique os conhecimentos ensinados por uma escola de mergulho devidamente credenciada. Antes de efetuar qualquer tipo de mergulho, é obrigatório ter frequentado e concluído um curso de mergulho autônomo, contemplando tanto os aspectos teóricos quanto os práticos da máscara facial completa

AVISO

Este manual de instruções não substitui nenhum curso de aprendizado de mergulho.

AVISO

Para obter detalhes sobre recursos, utilização, cuidados e manutenção do regulador MK25EVO/S620Ti, consulte o manual dos reguladores da SCUBAPRO.

2. CERTIFICAÇÃO EUROPEIA

A máscara FM2 e o regulador MK25EVO/S620Ti juntos constituem a máscara facial completa FM2/MK25EVO/S620Ti.

A máscara facial completa SCUBAPRO FM2/MK25EVO/S620Ti obteve a certificação Europeia de acordo com as respectivas normas que regulamentam as condições para a colocação no mercado e os requisitos fundamentais em matéria de segurança para os Equipamentos de Proteção Individual (EPI) de Categoria III. A certificação foi emitida pelo órgão notificado RINA, com o uso dos únicos modelos de reguladores SCUBAPRO incluídos neste manual.

Os testes de certificação foram conduzidos de acordo com a norma harmonizada EN250:2014, para garantir a conformidade com os requisitos fundamentais de saúde e segurança estabelecidos pelo regulamento Europeu 2016/425/EU.

As marcações CE e EN250 no equipamento evidenciam a conformidade com os referidos requisitos.

O número 0474 representa o código de identificação para RINA, Via Corsica 12, 16128 Gênova (GE) - Itália, o órgão de notificação que avalia a conformidade e controle de produção de acordo com os módulos B e D do regulamento 2016/425/EU. As marcações 232 bar e 300 bar no primeiro estágio indicam a pressão máxima de fornecimento do EPI.

A fabricante da SCUBAPRO FM2/MK25EVO/S620Ti é a SCUBAPRO EUROPE s.r.l., Via Tangoni 16, 16030 Casarza Ligure (GE) Itália. A SCUBAPRO EUROPE s.r.l. dispõe de um sistema de gestão da qualidade certificado por RINA e de acordo com a norma ISO9001:2015.

2.1 Norma EN 250:2014 - significado e requisitos

Os requisitos e testes definidos pela norma EN 250:2014 visam garantir um nível mínimo de segurança para o funcionamento de equipamentos para respiração subaquática. Na Europa, a norma EN 250:2014 define os requisitos técnicos mínimos que as unidades SCUBA precisam cumprir e é a revisão mais recente da norma EN250.

2.2 Restrições impostas pela norma EN 250:2014

A unidade SCUBA pode compreender componentes separados, como: cilindro(s), regulador (es), manômetro e máscara.

A utilização da unidade SCUBA é restrita ao mergulho subaquático.

A máscara facial completa FM2/MK25EVO/S620Ti é composta por uma máscara integrada a um regulador e, portanto, é um EPI que protege os olhos do contato com a água e as vias respiratórias submetidas ao efeito da pressão, fornecendo ar respirável nas condições de uso necessárias durante o mergulho.

A FM2/MK25EVO/S620Ti pode ser utilizada com as unidades de componentes SCUBA certificadas de acordo com regulamento UE 2016/425 e a norma EN 250:2014. O ar contido nos cilindros tem de atender aos requisitos de conformidade para ar respirável estabelecidos pela norma EN 12021. A profundidade de certificação é de 50 metros (164 pés). Em qualquer dos casos, os mergulhadores devem respeitar sempre os limites impostos pelos regulamentos que se aplicam ao local do mergulho.

IMPORTANTE

A certificação europeia do EPI FM2/MK25EVO/S620Ti diz respeito ao produto completo que consiste em:

- 1) Uma máscara facial SCUBAPRO FM2.
- 2) Um segundo estágio S620Ti montado na parte frontal da máscara FM2 e conectado a um primeiro estágio MK25EVO.

AVISO

A máscara FM2 é certificada apenas com os modelos de reguladores especificados neste manual, com os quais foram realizados os testes de certificação europeus, de acordo com a norma EN250:2014.

O uso da FM2 com outros reguladores está fora do escopo da certificação.

AVISO

Qualquer alteração na montagem da FM2/MK25EVO/S620Ti que não esteja incluída na configuração europeia certificada, conforme descrito neste manual, incluindo, por exemplo, a mangueira de baixa pressão fornecida com o regulador, resulta na perda de conformidade com a norma de certificação europeia.

A pressão operacional máxima depende da conexão do regulador MK25EVO/S620Ti utilizado: 300 bar para a conexão DIN e 232 bar para a conexão INT, de acordo com a marcação no primeiro estágio.

Consulte o manual dos reguladores SCUBAPRO para obter mais detalhes técnicos e informações sobre o regulador.

A FM2/MK25EVO/S620Ti é certificada para uso em água fria, ou seja, temperaturas abaixo de 10 °C (50 °F).

2.2.1 OCTOPUS (Dispositivo respiratório auxiliar de emergência)

O OCTOPUS é geralmente considerado como um segundo estágio auxiliar de emergência para ser utilizado pelo mergulhador em caso de necessidade (p. ex., mau funcionamento do segundo estágio principal).

AVISO

Apenas os equipamentos SCUBA em conformidade com a norma EN250:2014 e com um regulador com marcação "EN250A" ou "EN250A>10°C" podem ser utilizados como dispositivos de resgate por mais de um mergulhador ao mesmo tempo.

AVISO

Se uma unidade SCUBA estiver configurada para uso por mais de um mergulhador ao mesmo tempo, ela não deve ser utilizada em profundidades superiores a 30 metros nem em temperaturas de água inferiores a 4 °C - com marcação "EN250A" - e 10 °C com a marcação "EN250A>10°C".

A marcação EN250A pode ser encontrada no primeiro e segundo estágios do regulador MK25EVO/S620Ti. A máscara FM2 possui a marcação EN250.

2.3 Observações importantes

Para a sua proteção, ao utilizar os equipamentos de segurança vitais da SCUBAPRO, chamamos a sua atenção para as observações abaixo:

1. Utilize os equipamentos respeitando as instruções contempladas no presente manual e somente após ter lido e compreendido na íntegra as suas instruções e recomendações.
2. A utilização do equipamento é restrita ao seu emprego descrito neste manual ou às aplicações aprovadas para o efeito por escrito pela SCUBAPRO.
3. Cilindros devem ser carregados somente com ar comprimido atmosférico, nos termos da norma EN 12021. A eventual presença de umidade no interior do cilindro, além da corrosão que a mesma causa ao cilindro, pode ocasionar o congelamento e consequente funcionamento deficiente do regulador nos mergulhos que forem efetuados em condições de baixa temperatura (abaixo de 10°C (50°F)). Os cilindros devem ser transportados, observando-se as normas locais que regulam o transporte de mercadorias perigosas. A utilização do cilindro está sujeita às leis que regulam a utilização de gases e de ar comprimido.
4. O equipamento precisa ser revisado por um técnico autorizado da SCUBAPRO na frequência prescrita. As manutenções devem estar documentadas. Somente peças de reposição originais da SCUBAPRO devem ser utilizadas para as reparações ou serviços de manutenção.
5. Na eventualidade de o equipamento receber assistência técnica ou sofrer reparações que não atendam aos procedimentos aprovados pela SCUBAPRO ou que sejam efetuados por pessoal não habilitado ou treinado pela SCUBAPRO ou ainda na eventualidade de vir a ser utilizado de forma e com finalidades divergentes

daquelas para as quais foi especificamente projetado, a responsabilidade pelo emprego correto e seguro do equipamento transmite-se ao proprietário/usuário.

6. A respiração deve ser contínua, não se deve prender a respiração.
7. Os mergulhos devem ser planejados e realizados de forma a que, ao final do mergulho, o mergulhador disponha ainda de uma reserva de ar razoável para uso em caso de emergência. O valor normalmente recomendado é de 50 bar (725 psi).
8. Caso o equipamento SCUBA venha a ser usado em água fria (temperaturas abaixo dos 10 °C [50 °F]), será necessário utilizar um regulador apropriado para tais temperaturas.

⚠ AVISO

O mergulho em água fria requer equipamentos e técnicas especiais. Antes de mergulhar em água fria, recomendamos que você obtenha o treinamento adequado em uma escola de mergulho devidamente credenciada.

9. O conteúdo deste manual baseia-se nas informações mais recentes disponíveis à data da sua impressão. A SCUBAPRO reserva-se o direito de proceder a alterações em qualquer altura.

A SCUBAPRO declina toda e qualquer responsabilidade pelos danos decorrentes do não cumprimento das instruções contidas neste manual. Essas instruções não ampliam a garantia nem as responsabilidades constantes nos termos de vendas e de fornecimento da SCUBAPRO.

Para preservar a garantia, a manutenção deve ficar a cargo de um técnico qualificado da SCUBAPRO, devendo os registros de manutenção ser guardados. Para mais informações, contate um revendedor autorizado da SCUBAPRO.

3. CARACTERÍSTICAS GERAIS

⚠ AVISO

Somente a combinação de reguladores MK25EVO/S620Ti é certificada para montagem e uso na máscara facial FM2.

As únicas configurações do MK25EVO/S620Ti certificadas com a FM2 são exclusivamente as que apresentam manguelras padrão de 75 cm da SCUBAPRO, sem cotovelos ou acessórios giratórios.

A válvula de entrada de ar para períodos na superfície (figura 1-B) permite, ao abrir a válvula, evitar o consumo do suprimento de ar útil para o mergulho: basta fechar a válvula de entrada de ar durante os períodos na superfície para começar a respirar pelo segundo estágio e iniciar o mergulho.

A máscara facial FM2 possui uma válvula sob o queixo para efetuar uma drenagem de água especialmente eficaz e natural. A configuração original e certificada é equipada com um tubo de proteção da válvula de drenagem (figura 1-C).

Esse tubo impede o fluxo livre do segundo estágio durante o mergulho, causado pela diferença na pressão hidrostática gerada, sob certas condições, pela posição relativa da fonte de ar.

⚠ AVISO

A remoção do tubo de proteção da válvula de drenagem de água constitui uma alteração na configuração certificada e implica a perda de conformidade com a norma de certificação europeia.

A máscara FM2 possui conexões para montagem de acessórios, incluindo o computador de mergulho SCUBAPRO HUD (os kits para montagem de acessórios estão disponíveis separadamente).

Para obter detalhes sobre recursos e uso, consulte a seção UTILIZAÇÃO

4. UTILIZAÇÃO

4.1 Preparação para mergulhar - avisos importantes antes de utilizar

A conexão projetada para abrigar o segundo estágio pode ser encontrada na parte frontal da máscara.

O grupo de componentes necessários para conectar o segundo estágio já se encontra montado nessa conexão (figuras 1 e 2).

Esse grupo, atarraxado no corpo/estrutura da máscara (D), é composto por um anel (A), arruela (E), espaçador (G) e luva de borracha (F).

Para montar o segundo estágio, realize o procedimento a seguir.

Remova o bocal do segundo estágio depois de abrir a tira que o mantém no lugar.

Desparafuse completamente o anel (A), mantendo os três componentes - anel (A), espaçador (G) e luva (F) - pré-montados como na figura 3.1, mantendo a arruela (E) no corpo/estrutura (D).

Certifique-se de que a arruela (E) esteja montada corretamente, com as duas nervuras de vedação voltadas para a borracha da saia (ampliação 2.1).

Insira o segundo estágio dentro da luva de borracha (F).

Em seguida, use a tira fornecida (H) para prender o segundo estágio na luva de borracha onde o segundo estágio fica inserido, certificando-se de apertar adequadamente.

Monte toda a unidade de volta na máscara, rosqueando o anel (A) e apertando-o completamente para garantir uma conexão segura de todo o conjunto (figura 4), certificando-se de que o corpo/estrutura não gire durante o rosqueamento, e verificando se o pequeno triângulo visível na parte traseira do corpo/estrutura (D) permanece voltado para cima, como na figura 3.2.

AVISO

Ao realizar as operações de montagem preliminar, sempre verifique se você apertou corretamente o grupo de conexão do segundo estágio e a tira que segura o segundo estágio.

Um aperto incorreto ou mal feito pode ser muito perigoso durante o mergulho e causar acidentes e lesões, até mesmo fatais.

Se as lentes embaçarem, aplique a solução antiembaçante da SCUBAPRO (P/N 24.090.000) na parte interna e, em seguida, lave bem a máscara na água (repita esta operação três vezes se a máscara for nova).

Nunca utilize solventes ou produtos de limpeza como álcool etc. Se necessário, use apenas sabão líquido.

AVISO

Recomenda-se colocar o equipamento e a máscara facial completa na superfície antes de mergulhar.

4.2 Mergulho

Antes de colocar a FM2/MK25EVO/S620Ti, examine-a para garantir que todas as peças estejam nas condições ideais de mergulho.

Verifique todas as fivelas, tiras, fixação do segundo estágio, estrutura e máscara.

Ajuste a máscara, verifique se há embaçamento e se você consegue equalizar.

AVISO

Não mergulhe sem antes conferir as boas condições e o funcionamento correto do seu equipamento e da FM2/MK25EVO/S620Ti.

Caso perceba algum defeito, dano ou adulteração, entre imediatamente em contato com uma assistência técnica autorizada da SCUBAPRO.

AVISO

Não pule na água com o rosto para baixo nem a deixe bater contra objetos pontiagudos: um forte impacto pode quebrar a lente, causando ferimentos ao usuário.

Depois de realizar as verificações preliminares, coloque a máscara FM2/MK25EVO/S620Ti ajustando as cinco extremidades das tiras e aperte-as individualmente, puxando cada extremidade aos poucos, até atingir o ajuste ideal da máscara no seu rosto. (figura 5.1)

Para facilitar o ajuste, você pode remover temporariamente as extremidades das tiras de suas alças.

Para afrouxar ou remover a máscara, levante um pouco as abas da fivela enquanto puxa as tiras inferiores correspondentes (figura 5.2).

AVISO

Nos mergulhos livres acima de 2 metros (6 pés) de profundidade, a pressão aperta a máscara contra o rosto.

Quando utilizada em uma configuração certificada, basta respirar normalmente para evitar problemas.

AVISO

Para prevenir o risco de romper um tímpano durante o mergulho, aperte o nariz com os dedos e sopra com a boca fechada para empurrar o ar para dentro da parede do tímpano.

Durante os intervalos, você pode usar a válvula de entrada de ar de superfície fornecida na máscara, desatarraxando o plugue rosqueado (figura 1-B), para respirar o ar atmosférico - sem usar o ar dos cilindros.

Antes de mergulhar, rosqueie o plugue completamente para vedar a máscara novamente.

⚠ AVISO

Antes de mergulhar, certifique-se de que a válvula de entrada de ar para uso na superfície esteja fechada e a máscara vedada, para prevenir a entrada de água e alagamento da máscara.

⚠ AVISO

A SCUBAPRO recomenda sempre ter um sistema de resgate/procedimento de emergência de backup disponível: por exemplo, um regulador completo com primeiro e segundo estágios não conectados à máscara FM2/MK25EVO/S620Ti.

A SCUBAPRO também recomenda levar uma máscara sobressalente com você.

⚠ AVISO

Não é possível tirar a FM2 e colocá-la novamente enquanto estiver mergulhando. Se for necessário remover a FM2 embaixo d'água, não a coloque novamente. Utilize uma máscara e reguladores sobressalentes e comece a subir imediatamente.

5. CUIDADOS A TER COM REGULADORES QUANDO NÃO ESTÃO SENDO UTILIZADOS:

Lave bem a máscara com água fresca/doce após cada mergulho, principalmente se mergulhar em água com cloro.

⚠ AVISO

Certifique-se de lavar e limpar bem o equipamento, principalmente quando a FM2/MK25EVO/S620Ti for utilizada em águas contaminadas.

5.1 Desinfecção

A SCUBAPRO recomenda o produto McNett Revivex Cleaner. Utilize de acordo com o procedimento e diluição descritos na embalagem.

⚠ AVISO

Não utilize solventes ou detergentes, como álcool etc.

5.2 Armazenamento

Deixe secar em local fresco e abrigado da luz solar, posicionando-a de forma que a água escorra.

Depois de seca, guarde a máscara longe da luz solar, em local seco e em temperatura ambiente.

LIMITES DE TEMPERATURA: -10 °C/60 °C

6. MANUTENÇÃO

Qualquer operação não descrita neste manual não pode ser realizada pelo usuário, mas por um técnico qualificado e autorizado da SCUBAPRO.

A máscara FM2 precisa ser submetida a manutenção por um técnico autorizado da SCUBAPRO a cada dois anos. A revisão é obrigatória para preservar a garantia. Para manutenção dos reguladores, consulte o manual dos reguladores da SCUBAPRO.

Consulte as condições de garantia da Johnson Outdoors. O serviço de manutenção/assistência técnica encontra-se disponível por meio de revendedores autorizados da SCUBAPRO, identificados pelo aviso REVENDEDOR AUTORIZADO SCUBAPRO, ou consulte o site www.scubapro.com

1. ATENTIONARI IMPORTANTE

ATENTIE

Acest manual trebuie citit și înțeles pe deplin înainte de folosirea produsului. Este recomandat să păstrați în posesia dumneavoastră acest manual pe toată perioada de viață a produsului dumneavoastră.

ATENȚIE

Când faceți scufundări trebuie să urmați și aplicați regulile învățate de la o organizație recunoscută de scufundare. Înainte de a participa la orice activitate de scufundare, este obligatoriu să absolviți un curs de scufundare care să cuprindă ambele aspecte, teoretice și tehnice ale scufundării cu masca facială completă.

ATENȚIE

Instrucțiunile din acest manual nu înlocuiesc instrucțiunile unui curs de scufundare!

ATENȚIE

Pentru detalii privind caracteristicile, utilizarea, îngrijirea și întreținerea regulatorului MK25EVO/S620Ti, consultați manualul reguletoarelor SCUBAPRO.

2. CERTIFICARE EUROPEANA

Masca facială FM2 și regulatorul MK25EVO/S620Ti constituie împreună masca facială completă FM2/MK25EVO/S620Ti.

Masca facială completă SCUBAPRO FM2/MK25EVO/S620Ti a obținut certificare Europeană în conformitate cu normele Europene ce reglementează condițiile de punere pe piață și cerințele fundamentale de siguranță pentru Echipamentul Personal de Protecție (PPE) din categoria a treia. Certificarea a fost emisă de organismul notificat RINA, cu utilizarea numai a modelelor de reguletoare SCUBAPRO incluse în acest manual.

Testele de certificare au fost efectuate în conformitate cu standardul armonizat EN250 2014, pentru a asigura conformitatea produselor cu cerințele fundamentale pentru sănătate și siguranță stabilite de Regulamentul European 2016/425/UE.

Marcajele CE și EN250 de pe produs denotă conformitatea cu cerințele menționate.

Numărul 0474 este numărul de identificare pentru RINA Via Corsica, 12, 16128 Genova (GE) Italia, organismul notificat care evaluează conformitatea și controlează conformitatea producției cu reglementările, conform Modulului B și D, 2016/425 / UE. Marcajul 232bar și 300bar de pe prima treaptă indică presiunea maximă de alimentare al EPI.

Producătorul SCUBAPRO FM2/MK25EVO/S620Ti este SCUBAPRO EUROPE s.r.l., Via Tangoni 16, 16030 Casarza Ligure (GE) Italia. SCUBAPRO EUROPE s.r.l. are un sistem de management al calității certificat de RINA în conformitate cu standardul ISO9001: 2015.

2.1 Standardul EN 250:2014 - semnificație și cerințe

Cerințele și testele definite de standardul EN 250:2014 sunt menite să garanteze un nivel minim de siguranță pentru utilizarea aparatelor de respirat subacvatice. În Europa, standardul EN 250 2014 definește cerințele tehnice minime pe care trebuie să le îndeplinească SCUBA și este cea mai recentă revizuire a standardului EN 250.

2.2 Limitari prevăzute de către EN 250: 2014

Unitatea SCUBA poate fi compusă din componente separate cum ar fi: butelie (i), regulator(are), manometru și masca facială.

Utilizarea unității SCUBA este limitată numai la scufundări subacvatice.

Masca facială completă FM2/MK25EVO/S620Ti este compusă dintr-o piesă facială integrată cu un regulator și este, prin urmare, un EPI care protejează ochii de contactul cu apa și căile respiratorii supuse efectului presiunii, furnizând aer respirabil în condițiile de utilizare necesare în timpul scufundării.

FM2/MK25EVO/S620Ti poate fi folosit cu componente SCUBA certificate în conformitate cu Regulamentul 2016/425 și standardul EN 250:2014. Aerul din butelii trebuie să fie în conformitate cu cerințele pentru aer respirabil prevăzute în EN 12021. Adâncimea certificată este 50 metri (164 ft). În orice caz, scufundările trebuie să respecte întotdeauna limitele stabilite de reglementările locale ale locului de scufundare.

IMPORTANT

Certificarea europeană a FM2/MK25EVO/S620Ti PPE se referă la produsul complet format din:

- 1) O mască facială SCUBAPRO FM2.
- 2) Treaptă a doua S620Ti asamblată frontal pe masca facială FM2 și conectată la prima treaptă MK25EVO.

ATENȚIE

Masca facială FM2 este certificată numai cu modelele de regulatoare specificate în acest manual, cu care au fost efectuate testele de certificare europene, în conformitate cu standardul EN250:2014. Utilizarea FM2 cu alte regulatoare este în afara domeniului de aplicare al certificării.

ATENȚIE

Orice modificare a configurației FM2/MK25EVO/S620Ti care nu este inclusă în configurația europeană certificată descrisă în acest manual, inclusiv, de exemplu, furtunul de joasă presiune furnizat cu regulatorul, duce la pierderea conformității cu standardul european de certificare.

Presiunea maximă de funcționare depinde de conexiunea regulatorului MK25 EVO/S620Ti utilizat: 300 bar pentru conexiunea DIN și 232 bar pentru conexiunea INT, în conformitate cu marcajul de pe prima treaptă.

Consultați manualul reguletoarelor SCUBAPRO pentru detalii tehnice și informații suplimentare privind regulatorul. FM2/MK25EVO/S620Ti este certificat pentru utilizarea în apă rece, adică la temperaturi sub 10°C (50°F).

2.2.1 OCTOPUS (dispozitiv auxiliar de respirație de urgență)

Octopusul este considerat de regulă o treaptă II auxiliară în caz de urgență, pentru a fi folosită de către scafandru dacă este nevoie (în cazul unei defecțiuni a treptei II primară).

ATENȚIE

Doar unitatea SCUBA ce îndeplinește norma EN250:2014 și este marcată "EN250A" sau "EN250A>10°C" poate fi folosită ca instrument de salvare de mai mult de un singur scafandru în același timp.

ATENȚIE

Dacă unitatea SCUBA este configurată pentru a fi folosită de mai mult de un scafandru în același timp, atunci nu trebuie folosită la o adâncime mai mare de 30 metri în apă cu temperatura de sub 4°C dacă este marcat cu "EN250A", și sub 10°C dacă este marcat cu "EN250A>10°C"

Marcajul EN250A poate fi găsit pe prima și a doua treaptă a regulatorului MK25EVO/S620Ti. Masca facială FM2 este marcată EN250.

2.3 Note importante

Pentru protecția dumneavoastră atunci când folosiți echipament pentru suport vital SCUBAPRO va vom reține atenția cu următoarele:

1. Folosiți echipamentul în conformitate cu instrucțiunile cuprinse în acest manual și numai după ce ați citit și înțeles complet toate instrucțiunile și avertismentele.
2. Folosirea echipamentului este limitată la utilizările descrise în acest manual sau pentru aplicații aprobate în scris de către SCUBAPRO.
3. Buteliile trebuie să fie încărcate numai cu aer atmosferic comprimat, în conformitate cu norma EN 12021. Dacă miditatea e prezentă în butelie, pe lângă faptul că va cauza coroziunea buteliei, poate provoca înghețarea și funcționarea defectuoasă ulterioară a regulatorului în timpul scufundării în condiții de temperatură scăzută (mai mică de 10°C (50°F)). Buteliile trebuie să fie transportate în conformitate cu normele locale prevăzute pentru transportul mărfurilor periculoase. Folosirea buteliei este supusă legislației de reglementare a utilizării de gaze și aer comprimat.
4. Echipamentul trebuie să fie revizuit de un tehnician autorizat SCUBAPRO cu frecvența prescrisă. Verificarea trebuie să fie documentată. Când sunt efectuate reparații sau intineri, trebuie utilizate numai piese de schimb SCUBAPRO.
5. În cazul în care echipamentul este verificat sau reparat fără a se respecta procedurile aprobate de către SCUBAPRO sau de personal ne instruit sau certificat de către SCUBAPRO, sau a fost folosit în alte moduri sau pentru alte scopuri decât cel în mod special desemnat, răspunderea pentru o funcționare corectă și în condiții de siguranță a echipamentelor se va transfera proprietarului/utilizatorului.
6. Respiratul trebuie să fie continuu, fara sa ne ținem respirația.

7. Toate scufundările trebuie planificate și făcute în așa fel încât la sfârșitul scufundării, scafandru să aibă o rezerva rezonabilă de aer în caz de urgență. Cantitatea sugerată este de regula 50 bari (725 psi).
8. În cazul în care echipamentul va fi folosit în apă rece (temperatura mai mică de 10°C (50°F)) va fi necesar să folosiți un regulator adecvat pentru astfel de temperaturi.

ATENȚIE

Scufundările în apă rece necesită echipament și tehnici speciale. Înainte de a face scufundări în apă rece se recomandă obținerea antrenamentului adecvat de la o organizație recunoscută.

9. Conținutul acestui manual se bazează pe cele mai recente informații disponibile la momentul imprimării. SCUBAPRO își rezerva dreptul de a face modificări în orice moment. SCUBAPRO refuză responsabilitatea pentru pagubele cauzate din lipsa respectării instrucțiunilor cuprinse în acest manual. Aceste instrucțiuni nu vor extinde responsabilitatea sau garanția declarată de către SCUBAPRO în termenii de vânzare și livrare. Pentru a păstra garanția, întreținerea trebuie să fie efectuată de către un tehnician calificat SCUBAPRO, iar documentele de evidență a întreinerii trebuie păstrate. Pentru detalii, contactați un distribuitor autorizat SCUBAPRO.

3. CARACTERISTICI GENERALE

ATENȚIE

Doar combinația regulator MK25EVO/S620Ti este certificată pentru asamblare și utilizare pe mască facială FM2.

Singurele configurații ale MK25EVO/S620Ti certificate cu FM2 sunt exclusiv cele cu furtunuri SCUBAPRO standard de 75 cm, fără pivoți sau coturi accesorii.

Supapa de admisie a aerului pentru perioadele la suprafață (figura 1-B) permite, prin deschiderea supapei, evitarea consumului cu aer util pentru scufundare: este suficient să închideți supapa de admisie a aerului pentru timpul petrecut la suprafață pentru a începe să respirați din a doua treaptă și să începeți scufundarea.

Masca facială FM2 are o supapă de scurgere a apei sub bărbie, pentru o scurgere a apei deosebit de eficientă și naturală. Configurația originală și certificată este echipată cu un tub de protecție a supapei de scurgere (figura 1-C).

Această conductă împiedică fluxul liber din treapta a doua în timpul scufundării, cauzat de diferența de presiune hidrostatică generată, în anumite condiții, de poziția relativă a sursei de aer.

ATENȚIE

Îndepărtarea conductei de protecție a supapei de scurgere a apei constituie o modificare a configurației certificate și implică pierderea conformității cu standardul european de certificare.

Masca facială FM2 are conexiuni pentru asamblarea accesoriilor, inclusiv computerul de scufundări SCUBAPRO HUD (kiturile pentru asamblarea accesoriilor sunt disponibile separat).

Pentru detalii privind caracteristicile și utilizarea, consultați secțiunea UTILIZARE

4. UTILIZARE

4.1 Pregătirea pentru scufundare - avertismente importante înainte de utilizare

În partea din față a măștii se găsește conexiunea proiectată pentru a găzdui treapta a doua.

Grupul de componente necesare pentru a conecta treapta a doua este deja asamblat pe această conexiune (figurile 1 și 2).

Acest grup, înșurubat pe corp (D), este compus dintr-un inel (A), o șaibă (E), un distanțier (G) și un manșon de cauciuc (F).

Pentru a cupla treapta a doua, procedați după cum urmează.

Scoateți piesa bucală din treapta a doua după ce deschideți cureaua care o ține în poziție.

Se deșurubează complet inelul (A), păstrând cele trei componente, inelul (A), distanțierul (G) și manșonul (F) preasamblate ca în figura 3.1, în timp ce șaiba (E) rămâne în poziție pe corp (D).

Asigurați-vă că șaiba (E) este asamblată astfel încât cele două nervuri de etanșare să fie orientate spre cauciucul fustei (mărirea 2.1).

Introduceți a doua treaptă în interiorul manșonului de cauciuc (F).

Utilizați apoi cureaua furnizată (H) pentru a fixa treapta a doua în manșonul de cauciuc în care este introdusă treapta a doua, asigurându-vă că o strângeți bine.

Asamblați la loc întreaga unitate pe masca facială, înșurubând inelul (A) și strângându-l până la capăt pentru a garanta conectarea sigură a întregului ansamblu (figura 4), asigurându-vă că corpul nu se rotește în timpul înșurubării, verificând dacă triunghiul mic vizibil pe partea din spate a corpului (D) rămâne orientat în sus, ca în figura 3.2.

⚠ ATENȚIE

Atunci când efectuați operațiunile preliminare de asamblare, verificați întotdeauna dacă ați strâns corect grupul de conectare a treptei a doua și cureaua furnizată care susține treapta a doua.

Eșecul sau strângerea incorectă poate fi foarte periculoasă în timpul scufundării și poate provoca accidente și răni, chiar fatale.

Dacă lentilele încep să se aburească, folosiți soluția antiaburire SCUBAPRO (P/N 24.090.000) pe suprafața interioară, apoi clătiți masca bine cu apă (dacă masca este nouă, repetați de trei ori această operație).

Nu utilizați niciodată solvenți sau detergenți, cum ar fi alcoolul etc.. Dacă este necesar, utilizați numai săpun lichid.

⚠ ATENȚIE

Este recomandat să vă puneți echipamentul și masca completă la suprafață înainte de scufundare.

4.2 Scufundare

Înainte de a vă pune FM2/MK25EVO/S620Ti, examinați-o pentru a vă asigura că toate piesele sunt în stare optimă pentru scufundare.

Verificați toate cataramele, curelele, dispozitivul de fixare a treptei a doua, cadrul și masca facială.

Potrivii masca și verificați dacă este aburită și dacă puteți egaliza.

⚠ ATENȚIE

Nu vă scufundați decât după ce ați verificat în prealabil starea bună și funcționarea corectă a echipamentului și a FM2/MK25EVO/S620Ti.

Dacă observați defecte, deteriorări sau manipulări, contactați imediat un tehnician de service autorizat SCUBAPRO.

⚠ ATENȚIE

Nu săriți în apă cu fața în jos și nu scăpați masca pe nici un obiect ascuțit: impactul poate provoca spargerea lentilelor provocând răni utilizatorului.

După efectuarea verificărilor preliminare, purtați masca FM2/MK25EVO/S620Ti prin ajustarea celor cinci capete ale curelelor și strângeți cele cinci curele individual prin simpla tragere a fiecărui capăt puțin câte puțin, până la atingerea ajustării optime a măștii pe față. (figura 5.1)

Pentru a facilita ajustarea, puteți scoate temporar capetele curelelor din buclele lor.

Pentru a slăbi sau a îndepărta masca, ridicați ușor filele cataramii în timp ce trageți de curelele inferioare corespunzătoare (figura 5.2).

⚠ ATENȚIE

Dincolo de 2 metri (6 picioare) adâncime, în scufundare liberă, presiunea împinge masca pe față.

Atunci când este utilizat într-o configurație certificată, este suficient să respirați normal pentru a evita problemele.

⚠ ATENȚIE

Pentru a evita situația periculoasă a unui timpan spart în timpul scufundării, ciupiți-vă nasul cu degetele și suflați cu gura închisă pentru a împinge aerul în interiorul peretelui timpanului.

În timpul opririlor la suprafață, puteți utiliza supapa de admisie a aerului de suprafață prevăzută pe mască prin deșurubarea dopului filetat (figura 1-B) pentru a respira aer atmosferic fără a utiliza aerul din butelii.

Înainte de scufundare, înșurubați bușonul înapoi complet pentru a etanșa din nou masca.

⚠ ATENȚIE

Înainte de scufundare, asigurați-vă că supapa de admisie a aerului pentru utilizare la suprafață este închisă și că masca este etanșată pentru a preveni pătrunderea apei și inundarea măștii.

ATENȚIE

SCUBAPRO recomandă să aveți întotdeauna la dispoziție un sistem de salvare de rezervă: regulator complet cu prima și a doua treaptă care nu este conectat la masca FM2/MK25EVO/S620Ti etc. SCUBAPRO recomandă, de asemenea, să purtați cu dvs. o mască de rezervă.

ATENȚIE

Nu este posibil să scoateți FM2 și să o puneți la loc în timpul scufundării. Dacă este necesar să scoateți FM2 sub apă, nu o puneți la loc. Folosiți o mască și reglatoarele de rezervă și începeți imediat ascensiunea.

5. INGRIJIREA CAND NU ESTE UTILIZAT

Clătiți bine masca cu apă proaspătă după fiecare scufundare, în special dacă se efectuează în apă cu clor.

ATENȚIE

În special dacă FM2/MK25EVO/S620Ti a fost utilizată în apă contaminată, asigurați-vă că o clătiți și curățați bine.

5.1 *Dezinfectarea*

SCUBAPRO recomandă McNett Revivex Cleaner. Utilizați conform procedurii și diluției descrise pe ambalaj.

ATENȚIE

Nu utilizați solvenți sau detergenți, cum ar fi alcoolul etc.

5.2 *Depozitare*

Se lasă la uscat într-un loc răcoros, ferit de lumina soarelui, poziționând-o astfel încât apa să se scurgă.

Odată uscată, depozitați masca departe de lumina soarelui, într-un loc uscat, la temperatura camerei.

LIMITE DE TEMPERATURĂ -10°C / 60°C

6. INTREȚINERE

Operațiunile care depășesc cele descrise în acest manual nu trebuie efectuate de utilizator, ci de un tehnician SCUBAPRO calificat și autorizat.

Masca facială FM2 trebuie revizuită de către un tehnician autorizat SCUBAPRO la fiecare 2 ani.. Revizia este obligatorie pentru menținerea garanției. Pentru întreținerea legată de reglatoarele, consultați manualul reglatoarelor SCUBAPRO.

Va rugăm citiți condițiile de garanție Johnson Outdoors. Service-urile SCUBAPRO Autorizate pot fi identificate prin însemnul SELECTED DEALER SCUBAPRO sau vizitând www.scubapro.com

1. POMEMBNA OPOZORILA

⚠ OPOZORILO

Pred uporabo izdelka je treba v celoti prebrati priročnik in ga razumeti. Priporočamo vam, da imate celotno življenjsko dobo izdelka priročnik shranjen pri roki.

⚠ OPOZORILO

Med potapljanjem morate upoštevati pravila in uporabljati večšine, ki ste jih pridobili v priznani šoli potapljanja. Preden sodelujete v kakršni koli potapljaški dejavnosti, morate obvezno imeti opravljen potapljaški tečaj, ki vključuje tako teoretični kot praktični del potapljanja z obrazno masko.

⚠ OPOZORILO

Ta navodila za uporabo niso nadomestek za potapljaški tečaj.

⚠ OPOZORILO

Podrobnosti o funkcijah, uporabi, negi in vzdrževanju regulatorja MK25EVO/S620Ti najdete v priročniku za regulatorje SCUBAPRO.

2. EVROPSKO POTRDILO

Obrazni del FM2 in regulator MK25EVO/S620Ti skupaj sestavljata obrazno masko FM2/MK25EVO/S620Ti.

Obrazna maska FM2/MK25EVO/S620Ti, opisana v tem priročniku, je pridobila evropsko potrdilo v skladu z evropsko zakonodajo, ki ureja pogoje za sprostitev na tržišče in temeljne varnostne zahteve za osebno varovalno opremo tretje kategorije. Certifikat je izdal priglašeni organ RINA ob uporabi izključno modelov regulatorjev SCUBAPRO, ki so vključeni v ta priročnik.

Preskusi ustreznosti so bili opravljeni v skladu z usklajenim standardom EN250:2014, da se zagotovi skladnost s temeljnimi zahtevami za zdravje in varnost, kot jih določa Uredba (EU) 2016/425.

Oznaki CE in EN250 na izdelku označujeta skladnost z navedenimi zahtevami.

Številka 0474 predstavlja identifikacijsko številko priglašenega organa RINA Via Corsica, 12, 16128 Genova (GE) Italija, ki ocenjuje skladnost in nadzoruje proizvodni proces, kot to določata modula B in D 2016/425/EU. Oznaka 232bar in 300bar na prvi stopnji označuje najvišji oskrbovalni tlak osebne varovalne opreme.

Proizvajalec obrazne maske SCUBAPRO FM2/MK25EVO/S620Ti je podjetje SCUBAPRO EUROPE s.r.l., Via Tangoni 16, 16030 Casarza Ligure (GE), Italija. SCUBAPRO EUROPE s.r.l. ima sistem vodenja kakovosti, ki je v skladu s standardom ISO9001:2015, potrjen pri organu RINA.

2.1 Standard EN 250:2014 – pomen in zahteve

Namen zahtev in preskusov, opredeljenih v standardu EN 250:2014, je zagotoviti minimalno raven varnosti pri uporabi podvodnih dihalnih naprav. V Evropi standard EN 250:2014 določa minimalne tehnične zahteve, ki jih mora izpolnjevati avtonomna oprema SCUBA, in je najnovejša revizija standarda EN 250.

2.2 Omejitve iz standarda EN250:2014

Enota opreme SCUBA je lahko sestavljena iz ločenih komponent, kot so: jeklenka(-e), regulator(-iji), manometer in obrazni del.

Uporaba avtonomne opreme SCUBA je omejena na podvodno potapljanje.

Obrazno masko FM2/MK25EVO/S620Ti sestavlja obrazni del z integriranim regulatorjem in je zato osebna varovalna oprema, ki ščiti oči pred stikom z vodo in dihalne poti pred vplivi tlaka, pri čemer med potapljanjem v potrebnih pogojih uporabe dovaja zrak za dihanje.

Obrazno masko FM2/MK25EVO/S620Ti, opisano v tem priročniku, je mogoče uporabljati s komponentami opreme SCUBA, potrjenimi v skladu z Uredbo (EU) 2016/425 in standardom EN 250:2014. Zrak v jeklenkah mora ustrezati zahtevam za dihalni zrak, ki jih določa standard EN 12021. Globina v potrdilu je 50 metrov (164 ft). V vsakem primeru pa morajo potapljači na lokaciji potapljanja vedno upoštevati omejitve, ki jih določajo lokalni predpisi.

POMEMBNO:

evropski certifikat za osebno varovalno opremo FM2/MK25EVO/S620Ti se nanaša na celoten izdelek, ki ga sestavljata:

- 1) obrazni del SCUBAPRO FM2.
- 2) druga stopnja S620Ti, ki je spredaj nameščena na obrazni del FM2 in povezana na eno samo prvo stopnjo MK25EVO.

OPOZORILO

Obrazni del FM2 je certificiran samo z modeli regulatorjev, ki so navedeni v tem priročniku in s katerimi so bili opravljeni evropski certifikacijski preskusi v skladu s standardom EN250:2014.

Uporaba FM2 z drugimi regulatorji je zunaj obsega certificiranja.

OPOZORILO

Vsaka sprememba konfiguracije maske FM2/MK25EVO/S620Ti, ki del certificirane evropske konfiguracije, kot je opisana v tem priročniku, vključno z na primer nizkotlačno cevjo, priloženo regulatorju, povzroči izgubo skladnosti z evropskim certifikacijskim standardom.

Najvišji delovni tlak je odvisen od priključka uporabljenega regulatorja MK25 EVO/S620Ti: 300 barov za priključek DIN in 232 barov za priključek INT glede na oznako na prvi stopnji.

Za dodatne tehnične podrobnosti in informacije o regulatorju glejte priročnik za regulatorje SCUBAPRO.

Obrazna maska FM2/MK25EVO/S620Ti je certificirana za uporabo v hladni vodi, tj. pri temperaturah pod 10 °C (50 °F).

2.2.1 OKTOPUS (pomožni dihalni sistem za primer sile)

Oktopus običajno šteje kot pomožna druga stopnja za primer sile, ki ga lahko potapljač uporabi, če je potrebno (na primer v primeru okvare primarne druge stopnje).

OPOZORILO

Kot napravo za pobeg, ki jo istočasno uporablja več kot le en potapljač, je dovoljeno uporabiti samo opremo SCUBA, ki je v skladu s standardom EN250:2014 in z regulatorjem z oznako »EN250A« ali »EN250A>10°C«.

OPOZORILO

Če je enota SCUBA konfigurirana za več kot enega uporabnika istočasno in se jo tako tudi uporablja, potem je ni dovoljeno uporabljati na globini večji od 30 m in temperaturi vode manjši od 4 °C, če je označena z »EN250A«, in manjši od 10 °C, če je označena z »EN250A>10°C«.

Oznaka EN250A se nahaja na prvi in drugi stopnji regulatorja MK25EVO/S620Ti. Obrazna maska FM2 ima oznako EN250.

2.3 Pomembne opombe

Med uporabo avtonomne dihalne naprave SCUBAPRO vas za vašo zaščito opozarjamo na naslednje:

1. Opremo uporabljajte v skladu z navodili v tem priročniku in šele potem, ko ste v celoti prebrali priročnik in razumete vsa navodila in opozorila.
2. Uporaba opreme je omejena na uporabo, opisano v tem priročniku, oziroma uporabo, ki jo pisno odobri SCUBAPRO.
3. Jeklenke morajo biti napolnjene le z atmosferskim stisnjanim zrakom, v skladu s standardom EN 12021. V primeru, da se v jeklenki nahaja vlaga, lahko poleg tega, da povzroča korozijo jeklenke, tudi zmrzne in posledično povzroči okvaro regulatorja med potopi pri nizkih temperaturah (nižjih od 10 °C (50 °F)). Jeklenke je treba transportirati v skladu z lokalnimi predpisi, ki veljajo za prevoz nevarnega blaga. Za uporabo jeklenk se uporablja zakonodaja, ki ureja uporabo plinov in stisnjenega zraka.
4. Opremo mora v skladu s predpisano pogostnostjo pregledati pooblaščen serviser za SCUBAPRO. Preglede je treba dokumentirati. V primeru popravil in med vzdrževalnimi deli je dovoljeno uporabiti izključno nadomestne dele SCUBAPRO.
5. V primeru, da je oprema servisirana ali popravljena na način, ki ni skladen s postopki, ki jih je odobril SCUBAPRO, ali s strani neusposobljenega oseba oziroma oseba, ki ga SCUBAPRO ni potrdil, oziroma je uporabljena na način in za namene, ki niso v skladu s posebej predpisanimi, prevzame odgovornost za pravilno in varno delovanje opreme lastnik/uporabnik.
6. Dihanje mora biti tekoče, brez zadrževanja diha.
7. Vsi potopi morajo biti načrtovani in izvedeni tako, da bo na koncu potopa potapljač imel v jeklenki še razumno zalogo zraka za uporabo v sili. Priporočena enota je običajno 50 barov (725 psi).
8. Če se bo opremo SCUBA uporabljalo v hladni vodi (pri temperaturi, nižji od 10 °C (50 °F)), je treba uporabiti regulator, ki je primeren za uporabo pri takšnih temperaturah.

⚠ OPOZORILO

Potapljanje v hladni vodi zahteva posebno opremo in tehnike. Pred potapljanjem v hladni vodi priporočamo, da v priznani potapljaški šoli opravite ustrezen tečaj.

9. Vsebina tega priročnika je izdelana na podlagi najnovejših razpoložljivih informacij v trenutku tiskanja.

SCUBAPRO si pridržuje pravico, da spremembe kadarkoli opravi.

SCUBAPRO zavrača vso odgovornost za poškodbe, ki bi nastale zaradi neupoštevanja navodil iz tega priročnika. Ta navodila ne podaljšajo garancije ali odgovornosti, navedenih v pogojih družbe SCUBAPRO o prodaji in dostavi. Da bi ohranili garancijo, mora vzdrževanje opraviti kvalificirani tehnik SCUBAPRO, prav tako morate imeti shranjeno evidenco vzdrževanja. Za več podrobnosti se obrnite na pooblaščenega prodajalca SCUBAPRO.

3. SPLOŠNE ZNAČILNOSTI**⚠ OPOZORILO**

Za montažo in uporabo na obraznem delu FM2 je certificirana samo kombinacija z regulatorjem MK25EVO/S620Ti.

Edine konfiguracije MK25EVO/S620Ti, ki so certificirane s FM2, so izključno tiste s standardnimi 75 cm cevmi SCUBAPRO, brez dodatnih vrtljivih glav ali kolen.

Ventil za dovod zraka za čas na površini (slika 1-B) omogoča, da z odprtjem ventila preprečite porabo zraka, ki je koristen za potop: preprosto zaprite ventil za dovod zraka za čas na površini, da začnete dihati iz druge stopnje in začnete potop.

Obrazna maska FM2 ima pod brado ventil za odvajanje vode, ki omogoča še posebej učinkovito in naravno odvajanje vode. Originalna in certificirana konfiguracija je opremljena z zaščitno cevjo ventila za odvajanje (slika 1-C).

Ta cev med potapljanjem preprečuje prost pretok iz druge stopnje, ki ga povzroči razlika v hidrostatskem tlaku, ki pod določenimi pogoji nastane zaradi relativnega položaja vira zraka.

⚠ OPOZORILO

Odstranitev zaščitne cevi ventila za izpust vode pomeni spremembo certificirane konfiguracije in pomeni izgubo skladnosti z evropskim certifikacijskim standardom.

Obrazna maska FM2 ima priključke za montažo dodatne opreme, vključno s potapljaškim računalnikom SCUBAPRO HUD (kompleti za montažo dodatne opreme so na voljo ločeno).

Za podrobnosti o funkcijah in uporabi glejte poglavje UPORABA.

4. UPORABA**4.1 Priprava na potapljanje – pomembna opozorila pred uporabo**

Na sprednjem delu maske je priključek, namenjen namestitvi druge stopnje.

Sklop sestavnih delov, potrebnih za priključitev druge stopnje, je na tem priključku (sliki 1 in 2) že sestavljen.

Ta sklop, ki se privije na ohišje (D), je sestavljen iz obroča (A), podložke (E), distančnika (G) in gumijastega tulca (F).

Drugo stopnjo sestavite na naslednji način.

Odstranite ustnik z druge stopnje, potem ko odprete pašček, ki jo drži na mestu.

Obroč (A) v celoti odvijte, pri čemer naj ostanejo trije sestavni deli, obroč (A), distančnik (G) in tulec (F), sestavljeni, kot je prikazano na sliki 3.1, medtem ko ostane podložka (E) nameščena na ohišju (D).

Prepričajte se, da je podložka (E) nameščena tako, da sta oba roba tesnila obrnjena proti gumi krila (povečava 2.1).

Drugo stopnjo vstavite v gumijasti tulec (F).

Nato s priloženim paščkom (H) pritrdite drugo stopnjo v gumijastem tulcu, v katerega je vstavljena druga stopnja, in poskrbite, da ga ustrezno zategnete.

Celotno enoto namestite nazaj na obrazni del, privijte obroč (A) in ga do konca zategnite, da zagotovite varno povezavo celotnega sklopa (slika 4), pri čemer pazite, da se ohišje med privijanjem ne vrti, in preverite, da majhen trikotnik, viden na zadnji strani ohišja (D), ostane obrnjen navzgor, kot je prikazano na sliki 3.2.

⚠ OPOZORILO

Pri predhodni montaži vedno preverite, ali ste pravilno zategnili priključni sklop druge stopnje in priloženi pašček, ki drži drugo stopnjo.

Pomanjkljivo ali nepravilno zategovanje je lahko med potapljanjem zelo nevarno in povzroči nesreče in poškodbe, tudi smrtne.

V primeru, da se začne maska megeliti, na notranjo površino stekla nanesite sredstvo proti zameglitvi SCUBAPRO (št. dela 24.090.000) in nato masko temeljito izplaknite v vodi (če je maska nova, ta postopek ponovite trikrat). Nikoli ne uporabljajte topil ali čistil, kot je alkohol itd. Po potrebi uporabite le tekoče milo.

OPOZORILO

Priporočljivo je, da si opremo in obrazno masko nadenete na površini, pred potopom.

4.2 Potapljanje

Preden si nadenete masko FM2/MK25EVO/S620Ti, jo preglejte in se prepričajte, da so vsi deli v optimalnem stanju za potop.

Preverite vse zaponke, paščke, pritrditev druge stopnje, ohišje in obrazni del.

Namestite masko in preverite, ali se megli in ali lahko izenačujete tlak.

OPOZORILO

Ne potaplajte se, dokler ne preverite dobrega stanja in pravilnega delovanja opreme in maske FM2/MK25EVO/S620Ti.

Če opazite kakršne koli napake, poškodbe ali nedovoljene posege, se takoj obrnite na pooblaščenega serviserja družbe SCUBAPRO.

OPOZORILO

V vodo ne smete skočiti obrazom navzdol ter pazite, da vam maska ne pade na kakršen koli oster predmet. Zaradi udarca bi lahko steklo počilo in poškodovalo uporabnika.

Po opravljenih predhodnih pregledih si masko FM2/MK25EVO/S620Ti nadenite tako, da prilagodite pet koncev trakov in pet trakov individualno zategnete tako, da vsak konec traku po malem povlečete, dokler ne dosežete optimalne nastavitve maske na obrazu. (slika 5.1)

Za lažje prilagajanje lahko začasno odstranite konce trakov iz zank.

Masko sprostite ali odstranite tako, da rahlo dvignete jezička zaponke, medtem ko vlečete ustrezne spodnje trakove (slika 5.2).

OPOZORILO

Pri prostem potapljanju na globini več kot 2 metra tlak pritiska masko na obraz.

Pri uporabi s certificirano konfiguracijo normalno dihanje zadostuje, da se izognete težavam.

OPOZORILO

Da bi se izognili nevarnosti počenega bobniča med potapljanjem, s prsti stisnite nos in z zaprtimi usti pihnite zrak v usta, da ga potisnete v notranjost do stene bobniča.

Med postanki na površju lahko uporabite ventil za dovod zraka na površini, ki je na maski, tako da odvijete čep z navojem (slika 1-B) in dihate zunanji zrak, ne da bi uporabljali zrak iz jeklenk.

Pred potapljanjem čep popolnoma privijte nazaj, da masko ponovno zatesnite.

OPOZORILO

Pred potapljanjem se prepričajte, da je ventil za dovod zraka za uporabo na površini zaprt in da je maska zatesnjena, da preprečite vdor vode in zalitje maske.

OPOZORILO

SCUBAPRO priporoča, da imate vedno na voljo rezervni rešilni sistem: celoten regulator s prvo in drugo stopnjo, ki ni povezan z masko FM2/MK25EVO/S620Ti itd.

SCUBAPRO priporoča, da imate s seboj tudi rezervno masko.

OPOZORILO

FM2 med potapljanjem ni mogoče sneti in ponovno namestiti. Če je treba FM2 pod vodo odstraniti, ga ne nameščajte nazaj. Uporabite rezervno masko in regulatorje ter se takoj začnite dvigovati.

5. NEGA, KO NI V UPORABI

Po vsakem potopu masko temeljito sperite s svežo vodo, zlasti če se potapljate v klorirani vodi.

OPOZORILO

Če ste masko FM2/MK25EVO/S620Ti uporabljali v onesnaženi vodi, jo temeljito sperite in očistite.

5.1 Razkuževanje

SCUBAPRO priporoča čistilno sredstvo McNett Revivex Cleaner. Uporabljajte ga v skladu z navodili in v razmerju, ki je navedeno na embalaži.

OPOZORILO

Ne uporabljajte topil ali čistil, kot je alkohol itd.

5.2 Shranjevanje

Masko pustite, da se posuši na hladnem mestu, stran od sončne svetlobe, in jo postavite tako, da voda odteče.

Ko se posuši, jo shranite na suho mesto pri sobni temperaturi, stran od sončne svetlobe.

TEMPERATURNE OMEJITVE -10 °C/60 °C

6. VZDRŽEVANJE

Dejavnosti, ki presegajo tiste, opisane v tem priročniku, ne sme izvajati uporabnik sam, temveč usposobljen in pooblaščen serviser za SCUBAPRO.

Obrazni del FM2 mora pooblaščen serviser za SCUBAPRO pregledati vsaki 2 leti. Če želite ohraniti garancijo, je servisni pregled obvezen. Za vzdrževanje, povezano z regulatorji, glejte priročnik za regulatorje SCUBAPRO.

Več informacij najdete v garancijskih pogojih Johnson Outdoors. Servisiranje nudijo pooblaščen prodajalci za SCUBAPRO, ki jih prepoznate po oznaki SELECTED DEALER SCUBAPRO ali jih poiščete na spletnem mestu www.scubapro.com

1. DÔLEŽITÉ VAROVANIA

VAROVANIE

Skôr ako začnete výrobok používať, dôkladne si preštudujte celú túto príručku. Odporúčame, aby ste si príručku uchovali po celý čas životnosti vášho produktu.

VAROVANIE

Pri potápaní musíte dodržiavať pravidlá a využívať znalosti a schopnosti, ktoré ste získali v kvalifikovanej potápačskej agentúre. Pred účasťou na akejkoľvek potápačskej aktivite ste povinní úspešne absolvovať kurz potápania pokrývajúci tak teoretické, ako aj technické aspekty potápania s celotvárovou maskou.

VAROVANIE

Táto inštruktážna príručka nenahrádza potápačský kurz!

VAROVANIE

Podrobnosti o funkciách, používaní, starostlivosti a údržbe regulátora MK25EVO/S620Ti nájdete v príručke k regulátorom SCUBAPRO.

2. EURÓPSKA CERTIFIKÁCIA

Tvárová maska FM2 a regulátor MK25EVO/S620Ti spolu tvoria celotvárovú masku FM2/MK25EVO/S620Ti.

Celotvárová maska SCUBAPRO FM2/MK25EVO/S620Ti získala európsku certifikáciu podľa európskych predpisov upravujúcich podmienky uvádzania na trh a základné bezpečnostné požiadavky na osobné ochranné prostriedky tretej kategórie (OOP). Certifikáciu vydal notifikovaný orgán RINA, pričom sa použili iba modely regulátorov SCUBAPRO, ktoré sú uvedené v tejto príručke.

Certifikačné skúšky boli vykonané podľa harmonizovanej normy EN250:2014, aby bola zaistená zhoda regulátorov so základnými požiadavkami na bezpečnosť a ochranu zdravia stanovenými európskym nariadením 2016/425/EÚ.

Značky CE a EN250 na výrobku označujú zhodu s uvedenými požiadavkami.

Číslo 0474 je identifikačné číslo pre RINA Via Corsica, 12, 16128 Janov (GE) Taliansko, ktorá je notifikovaným subjektom povereným posúdením zhody a kontrolou výroby podľa modulov B a D, 2016/425/EÚ. Označenie 232bar a 300bar na prvom stupni udáva maximálny prívodný tlak OOP.

Výrobcom SCUBAPRO FM2/MK25EVO/S620Ti je SCUBAPRO EUROPE s.r.l., Via Tangoni 16, 16030 Casarza Ligure (GE) Taliansko. Spoločnosť SCUBAPRO EUROPE s.r.l. má zavedený systém riadenia kvality, ktorý je certifikovaný agentúrou RINA v súlade s normou ISO9001:2015.

2.1 Norma EN 250:2014 - význam a požiadavky

Požiadavky a skúšky definované v norme EN 250:2014 sú určené na zaručenie minimálnej úrovne bezpečnosti prevádzky dýchacích prístrojov pod vodou. V Európe norma EN 250:2014 definuje minimálne technické požiadavky, ktoré musí spĺňať SCUBA, a je najnovšou revíziou normy EN 250.

2.2 Obmedzenia podľa normy STN EN250:2014

Jednotka SCUBA môže pozostávať zo samostatných komponentov, ako napríklad: fľaša (fľaše), regulátor(-y), tlakomer, a maska.

Použitie jednotky SCUBA je obmedzené na potápanie pod vodou.

Celotvárová maska FM2/MK25EVO/S620Ti sa skladá z tvárovej časti spojenej s regulátorom, a preto je osobným ochranným prostriedkom, ktorý chráni oči pred kontaktom s vodou a dýchacie cesty pred pôsobením tlaku a dodáva dýchateľný vzduch za potrebných podmienok používania počas ponoru.

FM2/MK25EVO/S620Ti je možné použiť s inými komponentmi SCUBA, ktoré boli certifikované podľa predpisu 2016/425/EÚ a normy STN EN 250: 2014. Vzduch obsiahnutý vo fľaši musí spĺňať požiadavky na dýchateľný vzduch, ktoré vyžaduje norma EN 12021. Certifikovaná hĺbka je 50 metrov (164 stôp). V každom prípade však potápači vždy musia dodržiavať limity stanovené miestnymi predpismi na lokalite ponoru.

DŮLEŽITÉ

Európska certifikácia OOP FM2/MK25EVO/S620Ti sa vzťahuje na kompletný výrobok, ktorý pozostáva z:

- 1) Tvárová maska SCUBAPRO FM2.
- 2) Druhý stupeň S620Ti čelne namontovaný na tvárovú časť FM2 a pripojený k jednému prvému stupňu MK25EVO.

**VAROVANIE**

Tvárová maska FM2 je certifikovaná len s modelmi regulátorov uvedenými v tejto príručke, s ktorými boli vykonané európske certifikačné testy v súlade s normou EN250:2014.

Používanie masky FM2 s inými regulátormi je mimo rozsahu certifikácie.

**VAROVANIE**

Akkoľvek zmena konfigurácie FM2/MK25EVO/S620Ti, ktorá nie je súčasťou certifikovanej európskej konfigurácie, ako je opísaná v tejto príručke, vrátane napríklad nízkotlakovej hadice dodávanej s regulátorom, má za následok stratu zhody s európskou certifikačnou normou.

Maximálny prevádzkový tlak závisí od pripojenia použitého regulátora MK25 EVO/S620Ti: 300 barov pre pripojenie DIN a 232 barov pre pripojenie INT podľa označenia na prvom stupni.

Ďalšie technické údaje a informácie o regulátore nájdete v príručke k regulátorom SCUBAPRO.

FM2/MK25EVO/S620Ti je certifikovaná na použitie v studenej vode, t. j. pri teplotách nižších ako 10 °C (50 °F).

2.2.1 OCTOPUS (Núdzové pomocné dýchacie zariadenie)

Octopus sa obvykle považuje za záložný, núdzový druhý stupeň, ktorý môže potápač použiť v prípade potreby (napr. ak primárny druhý stupeň zlyhá).

**VAROVANIE**

Ako záchranné zariadenie môže viac ako jeden potápač súčasne používať len SCUBA vybavenie spĺňajúce normu EN250:2014 s regulátorom označeným „EN250A“ alebo „EN250A>10°C“.

**VAROVANIE**

Ak je výstroj SCUBA nakonfigurovaná na použitie viac než jedným potápačom súčasne, nesmie sa takto použiť vo väčšej hĺbke než 30 metrov a vo vode chladnejšej ako 4 °C, ak nesie označenie „EN250A“, a chladnejšej ako 10 °C, ak nesie označenie „EN250A>10°C“.

Označenie EN250A sa nachádza na prvom a druhom stupni regulátora MK25EVO/S620Ti. Tvárová časť masky FM2 je označená normou EN250.

2.3 Dôležité poznámky

V záujme vašej vlastnej bezpečnosti pri používaní vybavenia na podporu života SCUBAPRO upozorňujeme na toto:

1. Používajte výstroj v súlade s pokynmi uvedenými v tejto príručke a iba po úplnom preštudovaní a pochopení všetkých pokynov, varovaní a upozornení.
2. Používanie výstroja je obmedzené na spôsoby uvedené v tejto príručke alebo také, ktoré sú písomne schválené spoločnosťou SCUBAPRO.
3. Tlakové fľaše je možné plniť iba čistým stlačeným atmosférickým vzduchom v súlade s normou EN 12021. Vlhkosť v tlakovej fľaši môže okrem korózie fľaše spôsobiť zamrznutie a následné zlyhanie regulátora počas ponoru v chladných vodách (s teplotou nižšou než 10 °C (50 °F)). Tlakové fľaše je nutné prepravovať v súlade s miestnymi predpismi na prepravu nebezpečného tovaru. Používanie tlakových fliaš podlieha zákonným predpisom upravujúcim používanie plynov a stlačeného vzduchu.
4. Zariadenie musí byť preskúšané autorizovaným technikom SCUBAPRO v predpísaných intervaloch. Opravy musia byť zdokumentované. Pri vykonávaní opráv a pri údržbe je možné používať iba náhradné diely SCUBAPRO.
5. Ak by bola vykonaná oprava alebo údržba výstroja v rozpore s postupmi schválenými spoločnosťou SCUBAPRO alebo ak by ju vykonala neškolená osoba či osoba bez príslušného oprávnenia od spoločnosti SCUBAPRO, prípadne ak by tento výstroj bol použitý iným spôsobom a na iné účely, ktoré nie sú špecificky stanovené, potom zodpovednosť za správnu a bezpečnú funkciu tohto výstroja prechádza výlučne na jej majiteľa/používateľa.
6. Dýchanie musí byť plynulé, nezadržujte dych.

7. Všetky ponory musia byť plánované a vykonané vždy tak, aby na konci ponoru mal potápač stále dostatočnú rezervu vzduchu na použitie v prípade núdze. Odporúčané množstvo je obvykle 50 barov (725 psi).
8. Ak má byť výstroj použitý v chladných vodách (s teplotou nižšou než 10°C (50 °F)), potom je nutné použiť regulátor vhodný pre takúto teplotu.

VAROVANIE

Potápanie v studených vodách vyžaduje špeciálny výstroj a techniku. Pred potápaním v studených vodách dôrazne odporúčame, aby ste absolvovali adekvátny tréning v uznávanej výcvikovej organizácii.

9. Obsah tejto príručky vychádza z najnovších informácií, ktoré sú dostupné v čase jej tlače. SCUBAPRO si vyhradzuje právo na zmeny, a to kedykoľvek.
- SCUBAPRO odmieta všetku zodpovednosť za škody spôsobené nedodržaním pokynov uvedených v tejto príručke. Tieto pokyny nerozširujú záruku ani zodpovednosť uvedenú v obchodných a dodacích podmienkach spoločnosti SCUBAPRO.
- V záujme zachovania platnosti záruky musí údržbu vykonávať kvalifikovaný technik SCUBAPRO a je nutné uchovávať záznamy o údržbe. Podrobné informácie získate u autorizovaného predajcu SCUBAPRO.

3. VŠEOBECNÁ CHARAKTERISTIKA

VAROVANIE

Iba kombinácia s regulátorom MK25EVO/S620Ti je certifikovaná na montáž a používanie na tvárovej časti masky FM2.

Jediné konfigurácie MK25EVO/S620Ti certifikované s maskou FM2 sú výlučne konfigurácie so štandardnými 75 cm hadicami SCUBAPRO bez prídavných otočných koliesok alebo kolena.

Ventil prívodu vzduchu pre časy na hladine (obrázok 1-B) umožňuje otvorením ventilu zabrániť spotrebe zásoby vzduchu určenej pre ponor: jednoducho zatvorte ventil prívodu vzduchu pre časy na hladine, aby ste začali dýchať z druhého stupňa a začali ponor.

Tvárová maska FM2 má pod bradou ventil na vypúšťanie vody, ktorý zabezpečuje mimoriadne účinný a prirodzený odtok vody. Pôvodná a certifikovaná konfigurácia je vybavená ochrannou rúrkou vypúšťacieho ventilu (obrázok 1-C). Táto rúrka zabráňuje voľnému prúdeniu vzduchu z druhého stupňa počas ponoru, ktoré je spôsobené rozdielom hydrostatického tlaku, ktorý za určitých podmienok vzniká v dôsledku relatívnej polohy zdroja vzduchu.

VAROVANIE

Odstránenie ochrannej rúrky vypúšťacieho ventilu vody predstavuje zmenu certifikovanej konfigurácie a znamená stratu zhody s európskou certifikačnou normou.

Tvárová maska FM2 má prípojky na montáž príslušenstva vrátane potápačského počítača SCUBAPRO HUD (súpravy na montáž príslušenstva sú k dispozícii samostatne).

Podrobnosti o funkciách a používaní nájdete v časti POUŽITIE

4. POUŽITIE

4.1 Príprava na potápanie - dôležité upozornenia pred použitím

Na prednej časti masky sa nachádza prípojka určená na umiestnenie druhého stupňa.

Skupina komponentov potrebných na pripojenie druhého stupňa je už zostavená na tomto pripojení (obrázky 1 a 2). Táto skupina, priskrutkovaná na telo (D), sa skladá z krúžku (A), podložky (E), dištančnej podložky (G) a gumovej objímky (F).

Pri montáži druhého stupňa postupujte takto.

Po otvorení pásky, ktorá ho drží na mieste, vyberte náustok z druhého stupňa.

Úplne odskrutkujte krúžok (A), pričom tri komponenty, krúžok (A), dištančná podložka (G) a objímka (F), zostanú zmontované podľa obrázka 3.1, zatiaľ čo podložka (E) zostane na svojom mieste na tele (D).

Uistite sa, že podložka (E) je namontovaná tak, aby dve tesniace rebrá smerovali ku gumenému nadstavcu (zväčšenie 2.1).

Vložte druhý stupeň do gumového puzdra (F).

Potom pomocou dodaného popruhu (H) zaistíte druhý stupeň v gumovom puzdre, do ktorého je druhý stupeň vložený, a dbajte na dostatočné utiahnutie.

Celú jednotku nasadte späť na masku, krúžok (A) zaskrutkujte a dotiahnite ho až do konca tak, aby ste zaručili bezpečné spojenie celej zostavy (obrázok 4), pričom dbajte na to, aby sa telo počas skrútkovania neotáčalo, a skontrolujte, či malý trojuholník viditeľný na zadnej strane tela (D) zostáva otočený smerom nahor, ako je to na obrázku 3.2.

⚠ VAROVANIE

Pri predbežnej montáži vždy skontrolujte, či ste správne utiahli pripojovaciu skupinu komponentov druhého stupňa a dodaný popruh, ktorý drží samotný druhý stupeň.

Nedostatočné alebo nesprávne utiahnutie môže byť počas ponoru veľmi nebezpečné a spôsobiť nehody a zranenia, dokonca aj smrteľné.

Ak sa šošovka začne zahmlievať, použite na vnútorný povrch roztok proti zahmlievaniu SCUBAPRO (P/N 24.090.000) a potom masku dôkladne opláchnite vo vode (ak je maska nová, zopakujte túto operáciu trikrát).

Nikdy nepoužívajte rozpúšťadlá alebo čistiace prostriedky, ako je napr. alkohol. V prípade potreby používajte len tekuté mydlo.

⚠ VAROVANIE

Odporúča nasadiť si výstroj a celotvárovú masku ešte na hladine pred potápaním.

4.2 Potápanie

Predtým, ako si nasadíte FM2/MK25EVO/S620Ti, skontrolujte, či sú všetky časti v optimálnom stave na ponor.

Skontrolujte všetky pracky, popruhy, upevnenie druhého stupňa, rám a tvárovú časť.

Nasajte si masku a skontrolujte, či sa nezahmlieva a či môžete vyrovnávať tlak.

⚠ VAROVANIE

Nepotápajte sa, pokiaľ ste najprv neskontrolovali dobrý stav a správnu funkciu zariadenia a FM2/MK25EVO/S620Ti.

Ak spozorujete akékoľvek závady, poškodenie alebo manipuláciu, okamžite kontaktujte autorizovaného servisného technika spoločnosti SCUBAPRO.

⚠ VAROVANIE

Neskáčte do vody tvárou dolu a nepúšťajte masku na žiadny ostrý predmet: silný náraz môže spôsobiť rozbitie šošoviek a následné poranenie používateľa.

Po vykonaní predbežných kontrol si nasajte masku FM2/MK25EVO/S620Ti nastavením piatich koncov popruhov a utiahnite päť popruhov jednotlivo jednoduchým postupným tahaním za každý koniec, kým nedosiahnete optimálne nastavenie masky na tvári. (obrázok 5.1)

Na uľahčenie nastavenia môžete dočasne odstrániť konce popruhových párov.

Ak chcete masku uvoľniť alebo zložiť, mierne nadvihnite výstupky praciek a zároveň potiahnite príslušné spodné popruhy (obrázok 5.2).

⚠ VAROVANIE

V hĺbke nad 2 metre (6 stôp) pri voľnom ponore tlak tlačí masku na tvár.

Pri použití v certifikovanej konfigurácii stačí normálne dýchať, aby sa predišlo problémom.

⚠ VAROVANIE

Aby ste sa vyhlí nebezpečnému stavu rozdrveného bubienka pri potápaní, stlačte si nos prstami a fúkajte so zatvorenými ústami, aby ste do vnútornej strany steny bubienka natlačili vzduch.

Počas zastávok na povrchu môžete použiť ventil na nasávanie vzduchu z povrchu, ktorý je na maske, odskrutkovaním závitovej zátky (obrázok 1-B), aby ste mohli dýchať atmosférický vzduch bez použitia vzduchu z fliaš.

Pred potápaním zaskrutkujte zátku späť, aby sa maska opäť utesnila.

⚠ VAROVANIE

Pred potápaním sa uistite, že je ventil na nasávanie vzduchu na hladine zatvorený a maska je utesnená, aby sa zabránilo vniknutiu vody do masky a jej zaplaveniu.

⚠ VAROVANIE

Spoločnosť SCUBAPRO odporúča mať vždy k dispozícii záložný záchranný systém: celý regulátor s prvým a druhým stupňom, ktorý nie je pripojený k FM2/MK25EVO/S620Ti atď.

Spoločnosť SCUBAPRO tiež odporúča nosiť so sebou náhradnú masku.

VAROVANIE

Masku FM2 nie je možné počas potápania zložiť a nasadiť naspäť. Ak je potrebné odstrániť masku FM2 pod vodou, nenasadzujte ju naspäť. Použite náhradnú masku a regulátory a okamžite začnite stúpať.

5. STAROSTLIVOSŤ O VÝSTROJ V ČASE, KEĎ SA NEPOUŽÍVA

Po každom ponore masku dôkladne opláchnite čerstvou vodou, najmä ak sa potápate v chlórovanej vode.

VAROVANIE

Ak sa FM2/MK25EVO/S620Ti používala v znečistenej vode, nezabudnite ju dôkladne opláchnuť a vyčistiť.

5.1 *Dezinfekcia*

Spoločnosť SCUBAPRO odporúča prípravok McNett Revivex Cleaner. Používajte v súlade s pokynmi a v pomere riedenia uvedenom na obale.

VAROVANIE

Nepoužívajte rozpúšťadlá ani čistiace prostriedky, ako je napr. alkohol.

5.2 *Skladovanie*

Nechajte vysušiť na chladnom mieste mimo dosahu slnečného svetla a umiestnite tak, aby voda otekala.

Po vysušení skladujte masku mimo dosahu slnečného svetla na suchom mieste pri izbovej teplote.

TEPLOTNÉ LIMITY -10°C / 60°C

6. ÚDRŽBA

Operácie nad rámec opísaný v tomto návode nesmie vykonávať používateľ, ale kvalifikovaný a autorizovaný technik spoločnosti SCUBAPRO.

Autorizovaný technik SCUBAPRO musí raz za dva roky vykonať servis masky FM2. Generálny servis je povinný z dôvodu zachovania záruky. Informácie o údržbe regulátorov nájdete v príručke k regulátorom SCUBAPRO.

Prečítajte si záručné podmienky Johnson Outdoors. Servis výstroja ponúkajú autorizovaní predajcovia SCUBAPRO, ktorých spoznáte podľa označenia VYBRANÝ PREDAJCA SCUBAPRO, alebo môžete navštíviť adresu www.scubapro.com.

1. TÄRKEITÄ VAROITUKSIA

VAROITUS

Tämä ohjekirja on luettava ja ymmärrettävä kokonaan ennen tuotteen käyttöä. On suositeltavaa, että säilyttät tämän ohjekirjan tuotteen koko käyttöiän ajan.

VAROITUS

Sukeltaessa on noudatettava sääntöjä ja sovellettava tunnustetun sukellusertifiointilaitoksen opettamia taitoja. Ennen kuin osallistut sukellustoimintaan, sinun on suoritettava sukelluskurssi, joka kattaa sekä teoreettiset että tekniset näkökohdat liittyen sukellukseen kokokasvomaskilla.

VAROITUS

Tämä ohjekirja ei korvaa sukelluskurssia!

VAROITUS

Lisätietoja MK25EVO/S620Ti-regulaattorin ominaisuuksista, käytöstä, hoidosta ja huollosta on SCUBAPRO-regulaattorien käyttöohjeessa.

2. EUROOPPALAINEN SERTIFIointi

FM2-kasvomaski ja MK25EVO/S620Ti-regulaattori muodostavat yhdessä FM2/MK25EVO/S620Ti-kokokasvomaskin.

SCUBAPRO FM2/MK25EVO/S620Ti-kokokasvomaskille on myönnetty eurooppalainen sertifiointi niiden eurooppalaisten sääntöjen mukaisesti, jotka sääntelevät markkinoille saattamisen edellytyksiä ja kolmannen luokan henkilönsuojainten (PPE) perusturvallisuusvaatimuksia. Sertifikaatin on myöntänyt RINA:n ilmoittama laitos, ja siinä on käytetty vain tässä ohjekirjassa mainittuja SCUBAPRO-regulaattorin malleja.

Sertifiointitestit on suoritettu yhdenmukaistetun standardin EN250:2014 mukaisesti, jotta voidaan varmistaa, että laite täyttää Euroopan unionin asetuksessa 2016/425/EU asetetut terveyttä ja turvallisuutta koskevat perusvaatimukset.

CE- ja EN250-merkit osoittavat, että tuote on mainittujen vaatimusten mukainen.

Numero 0474 on ilmoitetun laitoksen RINA Via Corsica, 12, 16128 Genova (GE) Italia tunnusnumero, joka valvoo tuotannon vaatimustenmukaisuutta moduulin B ja D, 2016/425/EU mukaisesti. Ensimmäisen vaiheen 232 bar- ja 300 bar-merkinnät ilmaisevat henkilönsuojaimen suurimman syöttöpaineen.

SCUBAPRO FM2/MK25EVO/S620Ti:n valmistaja on SCUBAPRO EUROPE s.r.l., Via Tangoni 16, 16030 Casarza Ligure (GE) Italia. SCUBAPRO EUROPE s.r.l.:llä on RINA:n sertifiointi ISO9001:2015-standardin mukainen laadunhallintajärjestelmä.

2.1 Standardi EN 250:2014 - merkitys ja vaatimukset

Standardissa EN 250:2014 määritelyjen vaatimusten ja testien tarkoituksena on taata vedenalaisten hengityslaitteiden käytön vähimmäisturvallisuustaso. Euroopassa standardissa EN 250:2014 määritellään tekniset vähimmäisvaatimukset, jotka LAITESUKELLUSYKSIKKÖ on täytettävä, ja se on EN 250-standardin viimeisin tarkistus.

2.2 EN250:2014 mukaiset rajoitukset

LAITESUKELLUSYKSIKKÖ voi koostua erillisistä osista, kuten paineilmapullostista (pulloista), regulaattorista (regulaattoreista), painemittarista ja kasvomaskista.

LAITESUKELLUSYKSIKKÖN käyttö on rajoitettu vedenalaiseen sukellukseen.

FM2/MK25EVO/S620Ti-kokokasvomaski koostuu kasvomaskista, joka on integroitu regulaattoriin, ja se on näin ollen henkilönsuojain, joka suojaa silmiä kosketuksesta veden kanssa ja hengitysteistä paineen vaikutuksen alaisina, ja joka tuottaa hengitettävää ilmaa tarvittavissa käyttöolosuhteissa sukelluksen aikana.

FM2/MK25EVO/S620Ti voidaan käyttää sukelluskomponenttien kanssa, jotka on sertifioitu asetuksen EU 2016/425 ja standardin EN 250:2014 mukaisesti. Säiliöiden sisältämän ilman on täytettävä EN 12021-standardissa hengitysilmaille asetetut vaatimukset. Sertifiointisyvyys on 50 metriä (164 ft). Sukeltajien on joka tapauksessa aina noudatettava sukelluspaikan paikallisten määräysten asettamia rajoituksia.

TÄRKEÄÄ

FM2/MK25EVO/S620Ti-henkilönsuojaimen eurooppalainen sertifiointi koskee koko tuotetta, joka koostuu seuraavista osista:

- 1) SCUBAPRO FM2 -kasvomaski.
- 2) S620Ti toinen vaihe joka on asennettu etupuolelta FM2-kasvomaskiin ja liitetty yhteen MK25EVO ensimmäiseen vaiheeseen.

VAROITUS

FM2-kasvomaski on sertifioitu vain tässä ohjekirjassa määritellyille säätimille, joille on tehty eurooppalaiset sertifiointitestit standardin EN250:2014 mukaisesti.

FM2:n käyttö muiden regulaattoreiden kanssa ei kuulu sertifiointiin piiriin.

VAROITUS

Kaikki muutokset FM2/MK25EVO/S620Ti-kokoonpanoon, jotka eivät sisälly tässä ohjekirjassa kuvattuun sertifioituun eurooppalaiseen kokoonpanoon, mukaan lukien esimerkiksi regulaattorin mukana toimitettu matalapaineputki, johtavat eurooppalaisen sertifiointistandardin vaatimustenmukaisuuden menettämiseen.

Suurin käyttöpaine riippuu käytetyn MK25 EVO/S620Ti-regulaattorin liitännästä: 300 baaria DIN-liitännässä ja 232 baaria INT-liitännässä ensimmäisen vaiheen merkintöjen mukaan.

Katso SCUBAPRO-regulaattorien käyttöoppaasta tarkempia teknisiä yksityiskohtia ja tietoja regulaattorista.

FM2/MK25EVO/S620Ti on sertifioitu käytettäväksi kylmässä vedessä eli alle 10 °C:n (50 °F) lämpötiloissa.

2.2.1 VARA-ANNOSTIN (hätkäyttöön tarkoitettu varahengityslaite)

Vara-annostin katsotaan yleensä ylimääräiseksi toisen vaiheen hätälaitteeksi, jota sukeltaja voi käyttää tarpeen vaatiessa (esimerkiksi ensisijaisen toisen vaiheen toimintahäiriön syntyessä).

VAROITUS

Vain standardin EN250:2014 mukaisia ja merkinnällä "EN250A" tai "EN250A>10°C" varustettuja regulaattoreita saa käyttää pelustuslaitteena useampi kuin yksi sukeltaja samanaikaisesti.

VAROITUS

Jos LAITESUKELLUSYKSIKKÖ on konfiguroitu useammalle kuin yhdelle sukeltajalle ja sitä käyttää useampi kuin yksi sukeltaja samanaikaisesti, sitä ei saa käyttää yli 30 metrin syvyydessä eikä veden lämpötilassa, joka on alle jos siinä on merkintä "EN250A", eikä alle jos siinä on merkintä "EN250A>10 °C".

EN250A-merkintä on MK25EVO/S620Ti-regulaattorin ensimmäisessä ja toisessa vaiheessa. FM2-kasvomaskissa on merkintä EN250.

2.3 Tärkeitä huomautuksia

Suojellaksesi itseäsi käyttäessäsi SCUBAPRON elämää ylläpitävä järjestelmiä, pyydämme sinua kiinnittämään huomiota seuraaviin seikkoihin:

1. Käytä varusteita tässä ohjekirjassa annettujen ohjeiden mukaisesti ja vasta sitten, kun olet lukenut ja ymmärtänyt kaikki ohjeet ja varoitukset.
2. Varusteen käyttö on rajoitettu tässä ohjekirjassa kuvattuihin käyttötarkoituksiin tai SCUBAPRON kirjallisesti hyväksymiin sovelluksiin.
3. Pullot saa täyttää ainoastaan paineilmalla EN 12021 -standardin mukaisesti. Jos pullossa on kosteutta, se voi aiheuttaa korroosion lisäksi myös jäätymistä ja sen seurauksena regulaattorin toimintahäiriöitä alhaisissa lämpötiloissa (alle 10 °C (50°F)) suoritettavien sukellusten aikana. Pullot on kuljetettava vaarallisten aineiden kuljetusta koskevien paikallisten sääntöjen mukaisesti. Pullojen käyttöön sovelletaan kaasujen ja paineilman käyttöä sääteleviä lakeja.
4. Valtuutetun SCUBAPRO-tekniikan on huollettava laite määräjain. Peruskorjaukset on dokumentoitava. Korjauksissa ja huollossa saa käyttää vain SCUBAPRO-varaosia.
5. Jos varustetta huolletaan tai korjataan noudattamatta SCUBAPRON hyväksymiä menettelyjä tai jos sitä huoltaa tai korjaa kouluttamaton tai SCUBAPRON sertifiomaton henkilökunta tai jos sitä käytetään muulla tavoin ja muuhun tarkoitukseen kuin erikseen määritettyyn tarkoitukseen, vastuu varusteen oikeasta ja turvallisesta toiminnasta siirtyy omistajalle/käyttäjälle.
6. Hengityksen on oltava jatkuvaa, ilman hengityksen pidättämistä.

7. Kaikki sukellukset on suunniteltava ja suoritettava siten, että sukeltajalla on sukelluksen päätyttyä vielä kohtuullinen ilmavarasto hätätilanteita varten. Suositeltu määrä on yleensä 50 baaria (725 psi).
8. Jos sukelluslaitteita käytetään kylmässä vedessä (alle 10 °C:n (50 °F) lämpötilassa), on käytettävä tällaisiin lämpötiloihin soveltuvaa regulaattoria.

VAROITUS

Kylmään veteen sukeltaminen vaatii erikoisvarusteita ja -tekniikoita. Ennen kuin sukellat kylmään veteen, suosittelemme, että hankit asianmukaisen koulutuksen tunnustetulta koulutuslaitoksesta.

9. Tämän ohjekirjan sisältö perustuu painohetkellä saatavilla oleviin viimeisimpiin tietoihin. SCUBAPRO pidättää oikeuden tehdä muutoksia milloin tahansa.

SCUBAPRO kieltäytyy kaikesta vastuusta vahingoista, jotka aiheutuvat tämän ohjekirjan ohjeiden noudattamatta jättämisestä. Nämä ohjeet eivät laajenna takuuta tai SCUBAPRON myynti- ja toimitusehdoissa mainittuja vastuuta. Jotta takuu säilyy, huollon on oltava pätevän SCUBAPRO-tekniikon suorittama, ja huoltokirjanpito on säilytettävä. Lisätietoja saat valtuutetulta SCUBAPRO-jälleenmyyjältä.

3. YLEISET OMINAISUUDET

VAROITUS

Ainoastaan MK25EVO/S620Ti-regulaattoriyhdistelmä on sertifioitu asennettavaksi ja käytettäväksi FM2-kasvomaskissa.

Ainoat FM2-sertifioidut MK25EVO/S620Ti-kokoonpanot ovat yksinomaan SCUBAPRON 75 cm:n vakioletkuilla varustettuja kokoonpanoja, joissa ei ole lisävarusteena saatavia kääntyviä liitoksia tai putkikaaria.

Ilmanottoventtiili pinnallaoloaikoja varten (kuva 1-B) mahdollistaa, avaamalla venttiilin, välttää sukelluksen kannalta hyödyllisen ilman kulutuksen: sulje yksinkertaisesti ilmanottoventtiili pinnallaoloajan ajaksi hengityksen aloittamiseksi toisesta vaiheesta ja aloita sukellus.

FM2-kasvosuojaimessa on vedenpoistovenyttiili leuan alla, joka mahdollistaa erityisen tehokkaan ja luonnollisen vedenpoiston. Alkuperäisessä ja sertifioidussa kokoonpanossa on tyhjennysventtiilin suojaputki (kuva 1-C).

Tämä putki estää vapaan virtauksen toisesta vaiheesta sukelluksen aikana, mikä johtuu hydrostaattisen paineen eroista, joka syntyy tietyissä olosuhteissa ilmalähteen vastaavasta sijainnista.

VAROITUS

Veden tyhjennysventtiilin suojaputken poistaminen merkitsee sertifioidun kokoonpanon muuttamista ja eurooppalaisen sertifiointistandardin vaatimustenmukaisuuden menettämistä.

FM2-kasvomaskissa on liitännät lisävarusteiden, kuten SCUBAPRO HUD -sukellustietokoneen, asentamista varten (lisävarusteiden asentamiseen tarvittavat sarjat ovat saatavana erikseen).

Lisätietoja ominaisuuksista ja käytöstä on kohdassa KÄYTTÖ.

4. KÄYTTÖ

4.1 Sukelluksen valmistelu - tärkeitä varoituksia ennen käyttöä

Maskin etuosassa on liitäntä, joka on suunniteltu toisen vaiheen asentamiseen.

Toisen vaiheen liittämiseen tarvittava osaryhmä on jo koottu tähän liitäntään (kuvat 1 ja 2).

Runkoon (D) ruuvattava ryhmä koostuu renkaasta (A), aluslevystä (E), välilevystä (G) ja kumiholkista (F).

Toisen vaiheen kokoaminen tapahtuu seuraavasti.

Irrota suukappale toisesta vaiheesta sen jälkeen, kun olet avannut hihnan, joka pitää sen paikallaan.

Irrota rengas (A) kokonaan ja pidä kolme osaa, rengas (A), välileppä (G) ja holkki (F), valmiiksi koottuina kuvan 3.1 mukaisesti, kun taas aluslevy (E) pysyy paikallaan rungossa (D).

Varmista, että aluslevy (E) on asennettu siten, että kaksi tiivisteripaa ovat kumpipäilyllytystä vasten (suurennos 2.1).

Aseta toinen vaihe kumiholkin (F) sisään.

Kiinnitä sitten toinen vaihe mukana toimitetulla hihnalla (H) kumiholkkiin, johon toinen vaihe on työnnetty, ja varmista, että se on kiristetty riittävästi.

Asenna koko yksikkö takaisin kasvomaskiin ruuvaamalla rengas (A) ja kiristämällä se kokonaan niin, että koko kokoonpano kiinnittyy turvallisesti (kuva 4). Varmista, että runko ei kierry ruuvaamisen aikana, ja tarkista, että rungon takaosassa näkyvä pieni kolmio (D) osoittaa ylöspäin kuvan 3.2 mukaisesti.

VAROITUS

Kun suoritat alustavia kokoonpanotoimenpiteitä, tarkista aina, että olet kirstänyt toisen vaiheen liitäntäryhmän ja mukana toimitetun hihnan, joka pitää itse toista vaihetta, oikein.

Epäonnistuminen tai väärä kirstytys voi olla erittäin vaarallista sukelluksen aikana ja aiheuttaa onnettomuuksia ja vammoja, jopa kuolemaan johtavia.

Jos linssit alkavat huurtua, käytä SCUBAPRO huurtumisenestoainetta (TUOTENRO 24.090.000) linssien sisäpinnalla, huuhtelee maski sitten läpikotaisesti vedellä (toista tämä toimenpide kolme kertaa, jos maski on uusi). Älä koskaan käytä liuottimia tai puhdistusaineita, kuten alkoholia tms. Käytä tarvittaessa vain nestemäistä saippuaa.

VAROITUS

On suositeltavaa pukea varusteet ja kokokasvomaski päällesi pinnalla ennen sukellusta.

4.2 Sukellus

Ennen kuin puuet FM2/MK25EVO/S620Ti:n päällesi, tutki se varmistaaksesi, että kaikki osat ovat optimaalisessa kunnossa sukellusta varten.

Tarkista kaikki soljet, hihnat, toisen vaiheen kiinnitys, kehys ja kasvomaski.

Asenna maski ja tarkista, että se ei huuru ja että pystyt kompensoimaan.

VAROITUS

Älä sukella, ellet ole ensin tarkistanut laitteiden ja FM2/MK25EVO/S620Ti:n hyvää kuntoa ja asianmukaista toimintaa.

Jos havaitset vikoja, vaurioita tai peukalointia, ota välittömästi yhteyttä SCUBAPROn valtuutettuun huototeknikkoon.

VAROITUS

Älä hypää veteen pää edellä tai anna maskin pudota terävän esineen päälle: kova isku voi aiheuttaa linssien rikkoutumisen saamalla aikaan onnettomuuksia käyttäjälle.

Kun alustavat tarkastukset on tehty, pue FM2/MK25EVO/S620Ti -maski säätämällä hihnojen viittä päätä ja kirsti viisi hihnaa erikseen vetämällä vain jokaisesta päästä vähän kerrallaan, kunnes saavutat maskin optimaalisen säädön kasvoillesi. (kuva 5.1)

Säädön helpottamiseksi voit tilapäisesti irrottaa hihnojen päät silmukoista.

Kun haluat löysentää tai irrottaa maskin, nosta hieman soljen kielekkeitä ja vedä samalla vastaavista alemmista hihnoista (kuva 5.2).

VAROITUS

Vapaasukelluksessa yli 2 metrin (6 jalan) syvyydessä paine painaa maskia kasvoja vasten.

Sertifioidussa kokoonpanossa käytettäessä riittää, että hengitetään normaalisti ongelmien välttämiseksi.

VAROITUS

Jos haluat välttää vakavan tärykalvon murskautumisen sukelluksen aikana, purista nenäsi sormilla ja puhalla suu kiinni, jotta ilmaa saadaan työnnettyä tärykalvon seinämän sisäpuolelle.

Kun pysähdyt pinnalla, voit hengittää ilmakehän ilmaa maskissa olevan pintalmanottoventtiilin avulla irrottamalla kierteitetyn tulpan (kuva 1-B) käyttämättä pulloissa olevaa ilmaa.

Ennen sukellusta kierrä tulppa takaisin kiinni, jotta naamari tiivistyy uudelleen.

VAROITUS

Varmista ennen sukellusta, että pintakäyttöön tarkoitettu ilmanottoventtiili on suljettu ja maski on tiivistetty, jotta vesi ei pääse sisään ja täytä maskia.

VAROITUS

SCUBAPRO suosittelee, että käytettävissä on aina varajärjestelmä: kokonainen regulaattori, jonka regulaattoria ja toista vaihtetta ei ole kytketty FM2/MK25EVO/S620Ti -maskiin jne.
SCUBAPRO suosittelee myös varamaskin kuljettamista mukana.

VAROITUS

FM2-laitetta ei voi ottaa pois ja laittaa takaisin sukelluksen aikana. Jos FM2 joudutaan poistamaan veden alla, älä laita sitä takaisin paikalleen. Käytä varamaskia ja regulaattoreita ja aloita nousu välittömästi.

5. HOITO, KUN SITÄ EI KÄYTETÄ

Huuhtele naamari huolellisesti raikkaalla vedellä jokaisen sukelluksen jälkeen, erityisesti jos sukellus tehdään kloorivedessä.

VAROITUS

Erityisesti jos FM2/MK25EVO/S620Ti on käytetty saastuneessa vedessä, muista huuhdella ja puhdistaa se huolellisesti.

4.1 Desinfiointi

SCUBAPRO suosittelee McNett Revivex-puhdistusainetta. Käytä pakkauksessa kuvattua menettelyä ja laimennoksen mukaisesti.

VAROITUS

Älä käytä liuottimia tai pesuaineita, kuten alkoholia jne.

5.2 Varastointi

Anna kuivua viileässä, auringonvalolta suojassa olevassa paikassa ja aseta se niin, että vesi valuu siitä pois.

Kun maski on kuivunut, säilytä sitä kuivassa paikassa huoneenlämmössä suojassa auringonvalolta.

LÄMPÖTILARAJAT -10°C / 60°C

6. HUOLTO

Käyttäjää ei saa suorittaa tässä ohjekirjassa kuvattuja toimenpiteitä laajempia toimenpiteitä, vaan niitä saa suorittaa pätevä ja valtuutettu SCUBAPRO:n teknikko.

Valtuutetun SCUBAPRO-tekniikon on huollettava FM2-kasvomaski 2 vuoden välein. Huolto on pakollinen takuun säilyttämiseksi. Regulaattoreihin liittyvät huoltotoimenpiteet löytyvät SCUBAPRO-regulaattoreiden ohjekirjasta.

Tutustu Johnson Outdoorsin takuehtoihin. Huoltoa saa SCUBAPRO:n valtuutetuilta jälleenmyyjiltä, jotka on merkitty VALITTU SCUBAPRO MYYJÄ -kytilillä, tai osoitteesta www.scubapro.com.

1. VIKTIGA VARNINGAR

VARNING

Bruksanvisningen måste läsas och förstås till fullo innan produkten används. Vi råder dig att förvara bruksanvisningen säkert så länge du har och använder produkten.

VARNING

När ni dyker måste ni följa de regler och tillämpa de kunskaper som ni lärt er på ett erkänt och registrerat dykcenter. Innan ni deltar i en dykaktivitet måste ni ha fullföljt en dykutbildning som täcker både de teoretiska och tekniska aspekterna av dykning med en ansiktsmask.

VARNING

Den här bruksanvisningen ersätter inte en dykutbildning!

VARNING

Mer information om funktioner, användning, skötsel och underhåll av MK25EVO/S620Ti-regulatorn finns i SCUBAPRO-regulatorns handbok.

2. EUROPEISK CERTIFIERING

Masken FM2 och regulatorn MK25EVO/S620Ti utgör tillsammans helmasken FM2/MK25EVO/S620Ti.

Helmasken SCUBAPRO FM2/MK25EVO/S620Ti har erhållit europeisk certifiering enligt europeiska regler som reglerar villkoren för utsläppande på marknaden och grundläggande säkerhetskrav för personlig skyddsutrustning (PPE) i tredje kategorin. Certifieringen utfärdades av det anmälda organet RINA, med användning av de enda SCUBAPRO-regulatormodeller som ingår i den här handboken.

Certifieringstester har utförts enligt den harmoniserade standarden EN250:2014 för att säkerställa överensstämmelse med de grundläggande kraven för hälsa och säkerhet som fastställs i den europeiska förordningen 2016/425/EU.

CE- och EN250-märkningarna på produkten visar att den uppfyller dessa krav.

Numret 0474 är identifikationsnumret för RINA Via Corsica, 12, 16128 Genova (GE) Italien, det anmälda organ som bedömer överensstämmelse och kontrollerar produktionen, enligt modul B och D, 2016/425/EU. Märkingen 232 bar och 300 bar på det första steget anger PPE:ns maximala matningstryck.

Tillverkaren av SCUBAPRO FM2/MK25EVO/S620Ti är SCUBAPRO EUROPE s.r.l., Via Tangoni 16, 16030 Casarza Ligure (GE) Italien. SCUBAPRO EUROPE s.r.l. har ett kvalitetshanteringssystem som certifierats av RINA i enlighet med standarden ISO9001:2015.

2.1 EN 250:2014 standard - innebörd och krav

De krav och provningar som anges i standarden EN 250:2014 är avsedda att garantera en lägsta säkerhetsnivå för användning av andningsapparater för undervattensbruk. I Europa definierar standarden EN 250:2014 de tekniska minimikrav som SCUBA måste uppfylla och är den senaste revideringen av standarden EN 250.

2.2 Begränsningar som anges i EN250:2014

SCUBA-enheten kan bestå av separata komponenter, t.ex. flaska(-or), regulator(-er), tryckmätare och helmask. SCUBA-enheten ska endast användas för dykning under vattnet.

Helmasken FM2/MK25EVO/S620Ti består av en helmask integrerad med en regulator och är därför PPE som skyddar ögonen från kontakt med vatten och andningsvägarna som utsätts för tryckeffekten och tillför andningsbar luft under de nödvändiga användningsförhållandena under dyket.

FM2/MK25EVO/S620Ti kan användas med SCUBA-komponenter som är certifierade enligt förordning EU 2016/425 och standarden EN 250:2014. Luften i flaskorna måste uppfylla kraven för andningsbar luft som definieras av standarden EN 12021. Det certifierade djupet är 50 meter (164 ft). Dykare måste under alla förhållande följa de gränser som fastställs av lokala bestämmelser på dykplatsen.

VIKTIGT!

Europeisk certifiering av PPE FM2/MK25EVO/S620Ti avser den kompletta produkten som består av:

- 1) En SCUBAPRO FM2-helmask.
- 2) Ett S620Ti andrasteg monterat frontalt på FM2-toppstycket och anslutet till ett enda MK25EVO förstasteg.

⚠ VARNING

FM2-helmasken är endast certifierat med de modeller av regulatorer som anges i den här handboken, med vilka de europeiska certifieringstesterna har utförts, i enlighet med standarden EN250:2014. Användningen av FM2 med andra tillsynsmyndigheter ligger utanför certifieringens omfattning.

⚠ VARNING

Alla ändringar av FM2/MK25EVO/S620Ti-konfigurationen som inte ingår i den certifierade europeiska konfigurationen enligt beskrivningen i denna handbok, inklusive t.ex. lågtrycksslangen som levereras med regulatort, leder till förlust av överensstämmelse med den europeiska certifieringsstandard.

Det maximala arbetstrycket beror på anslutningen av den MK25 EVO/S620Ti-regulator som används: 300 bar för DIN-anslutningen och 232 bar för INT-anslutningen, enligt märkningen på det första steget.

Se SCUBAPROs regulatorhandbok för ytterligare tekniska detaljer och information om regulatorn.

FM2/MK25EVO/S620Ti är certifierad för användning i kallt vatten, d.v.s. temperaturer under 10 °C (50°F).

2.2.1 OCTOPUS (extra andningsapparat för nödsituationer)

Octopus är normalt ett extra andrasteg som används av en annan dykare vid en nödsituation (som t.ex. om ett fel uppstår på dykarens primära andrasteg).

⚠ VARNING

Endast SCUBA som uppfyller standarden EN250:2014 med en regulator märkt med "EN250A" eller "EN250A>10°C" får användas som en räddningsenhet av mer än en dykare samtidigt.

⚠ VARNING

Om SCUBA är konfigurerad för att användas av mer än en dykare samtidigt så ska den inte användas på djup större än 30 meter och i vattentemperaturer under 4°C om den är märkt med "EN250A", samt under 10°C om den är märkt med "EN250A>10°C".

EN250A-märkningen finns på det första och andra steget i MK25EVO/S620Ti-regulatorn. FM2-helmasken är märkt med EN250.

2.3 Viktiga anmärkningar

För er säkerhet när ni använder SCUBAPRO supportsystem vill vi rikta er uppmärksamhet mot följande:

1. Använd utrustningen enligt instruktionerna i bruksanvisningen och endast efter att ni har läst och förstått alla instruktioner och varningar.
2. Användning av utrustningen begränsas till användningarna som beskrivs i bruksanvisningen eller för ändamål som godkänts skriftligt av SCUBAPRO.
3. Flaskorna får endast fyllas med atmosfärisk komprimerad luft enligt standarden EN 12021. Om fukt kommer in i flaskan leder det inte enbart till att flaskan rostar, det kan även leda till att den fryser och att regulatorn krånglar under dyk som utförs under förhållanden med låga temperaturer (lägre än 10°C (50°F)). Cylindrar måste transporteras enligt lokala regler för transport av farliga varor. Användning av flaskor lyder under lagarna som reglerar användning av gaser och komprimerad luft.
4. Utrustningen måste ses över av en auktoriserad SCUBAPRO-tekniker med föreskriven frekvens. Renoveringar måste dokumenteras. Vid reparationer och underhåll så får endast SCUBAPRO reservdelar användas.
5. Om utrustningen servas eller repareras utan att följa procedurer som godkänts av SCUBAPRO eller om arbetet utförs av utbildad personal eller personal som inte certifierats av SCUBAPRO, eller om den används på sätt och för syften som den inte specifikt är ämnad för, så överlåtes ansvaret för utrustningens korrekta och säkra funktion på användaren/ägaren.
6. Man ska andas kontinuerligt, utan att hålla andan.
7. Alla dyk måste planeras och utföras så att dykaren i slutet av dyket har tillräckligt med luft kvar som kan användas vid nödfall. Den rekommenderade mängden är normalt 50 bar (725 psi).
8. Om dykutrustningen ska användas i kalla vatten (temperaturer under 10°C (50°F)) så måste en regulator som är lämpad för dessa temperaturer användas.

⚠ VARNING

Dykning i kalla vatten kräver speciell utrustning och teknik. Innan dykning i kalla vatten så rekommenderar vi starkt att ni införskaffar er adekvat utbildning från ett erkänt utbildningscenter.

9. Innehållet i bruksanvisningen är baserad på senast tillgänglig information vid tryck. SCUBAPRO förbehåller sig rätten att göra ändringar när som helst.

SCUBAPRO vägrar att ta på sig ansvar för skador som uppstått p.g.a. att instruktionerna i bruksanvisningen inte har följts. Dessa instruktioner utökar inte garantin eller ansvar som anges i SCUBAPROs försäljnings- och leveransvillkor.

För att bibehålla garantin så för underhåll endast utföras av en behörig SCUBAPRO-tekniker och underhåll måste dokumenteras. För detaljer, kontakta en auktoriserad SCUBAPRO-återförsäljare.

3. ALLMÄNNA EGENSKAPER

VARNING

Endast regulatorkombinationen MK25EVO/S620Ti är certifierad för montering och användning på FM2-helmasken.

De enda konfigurationer av MK25EVO/S620Ti som är certifierade med FM2 är uteslutande de som har SCUBAPRO standard 75 cm slangar, utan tillbehör som svivlar eller böjare.

Luftintagsventilen för perioder på ytan (bild 1-B) gör det möjligt att genom att öppna ventilen undvika luftförbrukning som är användbar för dyket: stäng helt enkelt luftintagsventilen för tytid för att börja andas från det andra steget och påbörja dyket.

FM2-helmasken har en vattenavtappningsventil under hakan, för särskilt effektiv och naturlig vattenavtappning. Den ursprungliga och certifierade konfigurationen är utrustad med ett skydds rör med dräneringsventil (bild 1-C). Detta rör förhindrar fritt flöde från det andra steget under dyket, vilket orsakas av skillnaden i hydrostatiskt tryck som under vissa förhållanden genereras av luftkällans relativa position.

VARNING

Borttagning av skyddsroret för vattenavtappningsventilen utgör en ändring av den certifierade konfigurationen och innebär att den europeiska certifieringsstandarden inte längre uppfylls.

FM2-helmasken har anslutningar för montering av tillbehör, inklusive dykdatorn SCUBAPRO HUD (kit för montering av tillbehör finns att köpa separat).

För mer information om funktioner och användning, se avsnittet ANVÄNDNING

4. ANVÄNDNING

4.1 Förberedelser för dykning - viktiga varningar före användning

På maskens främre del finns den anslutning som är avsedd att inrymma det andra steget.

Den komponentgrupp som krävs för att ansluta det andra steget är redan monterad på denna anslutning (bild 1 och 2). Denna grupp, som skruvas fast på huset (D), består av en ring (A), bricka (E), distansbricka (G) och gummihylsa (F). Gör på följande sätt för att montera det andra steget.

Ta bort munstycket från det andra steget efter att du har öppnat remmen som håller det på plats.

Skruva av ringen (A) helt och hållet, så att de tre komponenterna, ring (A), distans (G) och hylsa (F) är förmonterade enligt bild 3.1, medan brickan (E) sitter kvar på kroppen (D).

Se till att brickan (E) är monterad så att de två tätningsribborna är vända mot gummikanten (förstoring 2.1).

För in det andra steget i gummihylsan (F).

Använd sedan den medföljande remmen (H) för att fästa det andra steget i gummihylsan som det andra steget är insatt i, och se till att dra åt ordentligt.

Sätt tillbaka hela enheten på helmasken genom att skruva fast ringen (A) och dra åt den helt och hållet för att garantera en säker anslutning av hela enheten (bild 4), se till att kroppen inte roterar under skruvningen och kontrollera att den lilla triangeln som syns på baksidan av kroppen (D) fortfarande är vänd uppåt enligt bild 3.2.

VARNING

När du utför förberedande monteringsarbeten ska du alltid kontrollera att du har dragit åt anslutningsgruppen för det andra steget och det medföljande bandet som håller fast det andra steget ordentligt.

Felaktig åtdragning kan vara mycket farlig under dykningen och orsaka olyckor och skador, även med dödlig utgång.

Om imma bildas på linsen ska du använda SCUBAPRO:s lösning (P/N 24.090.000) mot imma på innerytan och sedan skölja masken noggrant i vatten (upprepa tre gånger om masken är ny).

Använd aldrig lösningsmedel eller rengöringsmedel som alkohol etc. Använd vid behov endast flytande tvål.

⚠ VARNING

Vi rekommenderar att du tar på dig utrustningen och helmasken på ytan innan du dyker.

4.2 Dykning

Innan du tar på dig FM2/MK25EVO/S620Ti ska du undersöka den för att säkerställa att alla delar är i optimalt skick för ett dyk.

Kontrollera alla spännen, remmar, andrastegsfästning, ram och helmasken.

Sätt på dig masken och kontrollera att den inte immar igen och att du kan utjämna.

⚠ VARNING

Dyk inte om du inte först har kontrollerat att utrustningen och FM2/MK25EVO/S620Ti är i gott skick och fungerar korrekt.

Om du upptäcker några defekter, skador eller manipulering ska du omedelbart kontakta en auktoriserad SCUBAPRO-servicetekniker.

⚠ VARNING

Hoppa inte i vattnet med ansiktet nedåt och tappa inte masken mot ett vasst föremål: stöten kan leda till att linserna går sönder och att användaren skadas.

När de preliminära kontrollerna har utförts, ta på dig masken FM2/MK25EVO/S620Ti genom att justera de fem ändarna på remmarna och dra åt de fem remmarna individuellt genom att helt enkelt dra i varje ände lite i taget, tills du har uppnått optimal justering av masken på ditt ansikte. (bild 5.1)

För att underlätta justeringen kan du tillfälligt ta bort remmarnas ändar från öglorna.

För att lossa eller ta av masken, lyft spännena något medan du drar i motsvarande nedre remmar (bild 5.2).

⚠ VARNING

Vid fridykning på djup över 2 meter (6 fot) pressar trycket masken mot ansiktet.

När den används i en certifierad konfiguration räcker det med att andas normalt för att undvika problem.

⚠ VARNING

För att undvika den farliga situationen med en krossad trumhinna vid dykning, kläm ihop näsan med fingrarna och blås med stängd mun för att pressa in luft i trumhinnans vägg.

Vid stopp på ytan kan du använda den luftintagsventil för ytluft som finns på masken genom att skruva loss den gängade pluggen (bild 1-B) för att andas atmosfärisk luft utan att använda luft från flaskorna.

Skruva tillbaka pluggen helt innan du dyker för att tätta masken igen.

⚠ VARNING

Före dykning ska du se till att luftintagsventilen för användning vid ytan är stängd och att masken är tätad för att förhindra att vatten tränger in i och översvämmar masken.

⚠ VARNING

SCUBAPRO rekommenderar att man alltid har ett reservsystem tillgängligt: hel regulator med första- och andrasteg som inte är anslutna till FM2/MK25EVO/S620Ti-masken etc.

SCUBAPRO rekommenderar också att du bär med dig en reservmask.

⚠ VARNING

Det går inte att ta av FM2 och sätta på den igen under dykning. Om det är nödvändigt att ta bort FM2 under vattnet, sätt inte tillbaka den. Använd reservmask och regulatorer och påbörja uppstigningen omedelbart.

5. VÅRD NÄR DEN INTE ANVÄNDS

Skölj masken noggrant med färskt vatten efter varje dyk, särskilt om det görs i klorerat vatten.

VARNING

Särskilt om FM2/MK25EVO/S620Ti har använts i förorenat vatten, se till att skölja och rengöra den noggrant.

5.1 Desinficering

SCUBAPRO rekommenderar McNett Revivex Cleaner. Späd ut och använd enligt de anvisningar som står på förpackningen

VARNING

Använd inte lösningsmedel eller rengöringsmedel som alkohol etc.

5.2 Förvaring

Låt torka på en sval plats utan solljus och placera den så att vattnet rinner av.

När masken har torkat ska den förvaras skyddat från solljus på en torr plats i rumstemperatur.

TEMPERATURGRÄNSER -10°C / 60°C

6. UNDERHÅLL

Åtgärder utöver de som beskrivs i denna bruksanvisning får inte utföras av användaren, utan måste utföras av en kvalificerad och auktoriserad SCUBAPRO-tekniker.

En FM2-helmask måste servas av en behörig SCUBAPRO-tekniker vartannat år. Översynen är obligatorisk för att garantin ska gälla. För underhåll av regulatorer, se SCUBAPROs manual för regulatorer.

Vänligen referera till garantivillkoren för Johnson Outdoors. Service är tillgänglig via auktoriserade SCUBAPRO-återförsäljare som kan identifieras via skylten "SELECTED DEALER SCUBAPRO" eller genom att gå till www.scubapro.com.

1. ÖNEMLİ UYARILAR

⚠ UYARI

Bu kılavuz ürünü kullanmadan önce tamamen okunup anlaşılmalıdır. Ürününüzün kullanım ömrü boyunca bu kılavuzu saklamanız önerilir.

⚠ UYARI

Dalış sırasında yetkili scuba dalış sertifikası kurumunun size öğrettiği kurallara uymalı ve becerileri uygulamalısınız. Herhangi bir dalış faaliyetinde bulunmadan önce, tam yüz maskesi ile teorik ve teknik dalış bilgilerinizi içeren scuba dalış kursunu başarıyla tamamlamak zorunludur.

⚠ UYARI

Bu kullanım kılavuzu dalış eğitimi kursunun yerini almaz.

⚠ UYARI

MK25EVO/S620Ti regülatörün özellikleri, kullanımı, bakımı ve onarımı ile ilgili ayrıntılar için SCUBAPRO regülatörleri kılavuzuna başvurun.

2. AVRUPA SERTİFİKASI

FM2 yüz maskesi ve MK25EVO/S620Ti regülatör birlikte FM2/MK25EVO/S620Ti tam yüz maskesini oluşturur. SCUBAPRO FM2/MK25EVO/S620Ti tam yüz maskesi, üçüncü kategori Kişisel Koruyucu Ekipman (KKE) için piyasaya sürme koşullarını ve temel güvenlik gereksinimlerini düzenleyen Avrupa kurallarına göre Avrupa sertifikasını almıştır. Sertifika, bu kılavuzda yer alan tek SCUBAPRO regülatör modellerinin kullanımıyla onaylı kuruluş olan RINA tarafından verilmiştir.

Sertifikasyon testleri, 2016/425/EU sayılı Avrupa yönetmeliği tarafından belirlenen sağlık ve güvenlikle ilgili temel gerekliliklere uygunluğu sağlamak üzere EN250:2014 harmonize standardına göre gerçekleştirilmiştir.

Ürün üzerindeki CE ve EN250 işaretleri, söz konusu gerekliliklere uygunluğu gösterir.

0474 numarası, Modül B ve D, 2016/425/EU uyarınca uygunluğu değerlendiren ve üretimi kontrol eden onaylı kuruluş olan RINA Via Corsica, 12, 16128 Genova (GE) İtalya'nın kimlik numarasıdır. İlk kademedeki 232 bar ve 300 bar işaretleri KKE'nin maksimum tedarik basıncını gösterir.

SCUBAPRO FM2/MK25EVO/S620Ti'nin üreticisi SCUBAPRO EUROPE s.r.l., Via Tangoni 16, 16030 Casarza Ligure (GE) İtalya'dır. SCUBAPRO EUROPE s.r.l., ISO9001:2015 standardı uyarınca RINA tarafından sertifikalı kalite yönetim sistemine sahiptir.

2.1 EN 250:2014 standardı - Anlamı ve gereksinimleri

EN 250:2014 standardı tarafından belirlenmiş gereksinimler ve testler, su altı solunum cihazlarının çalışması için minimum güvenlik seviyesini garanti etmeyi amaçlamaktadır. Avrupa'da EN 250:2014 standardı SCUBA'nın uyması gereken asgari teknik gereksinimleri tanımlamaktadır ve EN250 standardının en son revizyonudur.

2.2 EN250:2014 tarafından sağlanan sınırlamalar

SCUBA birimi tüpler, regülatörler, basınç göstergesi ve yüz maskesi gibi ayrı bileşenlerden oluşabilir.

SCUBA ünitesinin kullanımı, yalnızca sualtı dalış ile sınırlıdır.

FM2/MK25EVO/S620Ti tam yüz maskesi, bir regülatör ile entegre edilmiş bir yüz maskesinden oluşur ve gözleri su ile temasın, solunum yollarını basınç etkilerinden koruyan, dalış sırasında gerekli kullanım koşullarında solunabilir hava sağlayan bir KKE'dir.

FM2/MK25EVO/S620Ti, EU 2016/425 yönetmeliği ve EN 250:2014 standardına göre onaylanmış SCUBA bileşen üniteleriyle kullanılabilir. Tüplerde bulunan hava EN 12021 standardı içinde belirtilen solunabilir hava gereksinimlerine uygun olmalıdır. Sertifika derinliği 50 metredir (164 ft). Her durumda, dalgıçlar dalış yapılacak bölgedeki yerel yönetmeliklerin belirlediği sınırlara uymalıdır.

ÖNEMLİ

FM2/MK25EVO/S620Ti KKE'nin Avrupa sertifikasyonu, aşağıdakilerden oluşan komple ürünü ifade eder:

- 1) Bir SCUBAPRO FM2 yüz maskesi.
- 2) FM2 ön yüzüne önden monte edilmiş S620Ti ikinci kademe ve tek birinci kademeye bağlanmış MK25EVO.

! UYARI

FM2 yüz maskesi yalnızca bu kılavuzda belirtilen ve EN250:2014 standardına uygun olarak Avrupa sertifikasyon testleri gerçekleştirilmiş regülatör modelleri ile onaylanmıştır. FM2'nin diğer regülatörlerle kullanımı sertifikasyon kapsamı dışındadır.

! UYARI

FM2/MK25EVO/S620Ti konfigürasyonunda, örneğin regülatörle birlikte verilen düşük basınç hortumu da dahil olmak üzere, bu kılavuzda açıklanan sertifikalı Avrupa konfigürasyonuna dahil olmayan herhangi bir değişiklik, Avrupa sertifikasyon standardına uygunluğun kaybedilmesine neden olur.

Maksimum çalışma basıncı, kullanılan MK25 EVO/S620Ti regülatörünün bağlantısına bağlıdır: Birinci kademe işletimine göre maksimum çalışma basıncı DIN bağlantısı için 300 bar ve INT bağlantısı için 232 bar'dır.

Regülatör hakkında daha fazla teknik bilgi ve ayrıntı için SCUBAPRO regülatörleri kılavuzuna bakın.

FM2/MK25EVO/S620Ti soğuk suda, yani 10°C'nin (50°F) altındaki sıcaklıklarda kullanımı için onaylanmıştır.

2.2.1 AHTAPOT (Acil Durum Yedek Solunum Cihazı)

Ahtapot genelde dalgıncı ihtiyaç duyulmuş halde kullanılmak üzere (birinci kademede arıza meydana gelirse) acil durum yardımcı ikinci kademe olarak değerlendirilir.

! UYARI

Sadece "EN250A" veya "EN250A>10°C" işaretli bir regülatör ile EN250:2014 standardına uygun SCUBA aynı anda birden fazla dalgıç tarafından kurtarma cihazı olarak kullanılabilir.

! UYARI

SCUBA aynı zamanda birden fazla dalgıç tarafından kullanılmak üzere ayarlanmışsa, 30 metrenin üzerindeki derinliklerde ve "EN250A" ibareliyse 4°C altındaki ve "EN250A>10°C" ibareliyse 10°C altındaki su sıcaklıklarında kullanılmamalıdır.

EN250A işareti MK25EVO/S620Ti regülatörün birinci ve ikinci kademelerinde bulunabilir. FM2 yüz maskesi EN250 olarak işaretlenmiştir.

2.3 Önemli notlar

SCUBAPRO yaşam destek ekipmanını kullanırken koruma için aşağıdakilere dikkat etmenizi rica ediyoruz:

1. Ekipmanı bu kılavuzda yer alan talimatlara uygun olarak ve yalnızca tüm talimatları ve uyarıları okuyup anladıktan sonra kullanın.
2. Ekipmanın kullanımı bu kılavuzda açıklanan kullanımlarla veya SCUBAPRO tarafından yazılı olarak onaylanan uygulamalarla sınırlıdır.
3. Tüpler yalnızca EN 12021 normuna uygun olarak atmosferik basınçlı hava ile doldurulmalıdır. Tüpün içinde nem kalırsa tüpün paslanmasına neden olmasının yanında, düşük sıcaklık koşullarında yapılan dalışlarda (10°C (50°F) altı) donmaya ve regülatör arızası yaşanmasına neden olabilir. Tüpler tehlikeli malzemelerin taşınmasına ilişkin yerel kurallara göre taşınmalıdır. Tüp kullanımı gazların ve basınçlı havanın kullanımını düzenleyen yasalara tabidir.
4. Ekipman, öngörülen sıklıkta yetkili bir SCUBAPRO teknisyeni tarafından bakımdan geçirilmelidir. Bakımlar belgelenmelidir. Onarımlarda ve bakımlarda yalnızca SCUBAPRO yedek parçaları kullanılmalıdır.
5. SCUBAPRO tarafından onaylanmış prosedürlere göre veya eğitimsiz veya SCUBAPRO sertifikalı olmayan personel tarafından ekipman bakımı veya onarımı yapılırsa veya ekipman tasarlandığı amaçların dışında bir şekilde kullanılırsa ekipmanın doğru ve güvenli bir şekilde çalışmasına ilişkin sorumluluk sahibine/kullanıcıya ait olacaktır.
6. Solunum, nefes tutulmadan sürekli olmalıdır.
7. Tüm dalışlar, dalgıncın dalış sonunda acil durumda kullanımı için makul düzeyde rezerv havası kalacak şekilde planlanmalı ve gerçekleştirilmelidir. Önerilen miktar genelde 50 bardır (725 psi).
8. SCUBA ekipmanı soğuk suda (10°C (50°F) altı) kullanılırsa bu sıcaklığa uygun regülatör kullanılması gerekli olacaktır.

! UYARI

Soğuk suda dalış özel ekipman ve teknikler gerektirir. Soğuk suda dalış gerçekleştirmeden önce, yetkili dalış eğitimi kurumundan uygun eğitimi almanızı öneririz.

9. Bu kılavuzun içeriği basıldığı dönemde elde olan en son bilgilere dayanmaktadır. SCUBAPRO istediği zaman değişiklik yapma hakkını saklı tutar.

SCUBAPRO bu kılavuzda yer alan talimatlara uyulmamasından kaynaklanan hasarlardan dolayı hiçbir sorumluluk kabul etmez. Bu talimatlar SCUBAPRO'nun satışına ve teslimatına ilişkin garanti ve sorumluluklarını uzatmaz. Garantinin devam etmesi için bakım işlemlerinin yetkili SCUBAPRO teknisyeni tarafından gerçekleştirilmesi ve bakım kayıtlarının saklanması gerekir. Ayrıntılar için yetkili SCUBAPRO bayisi ile iletişime geçin.

3. GENEL ÖZELLİKLER

⚠ UYARI

Yalnızca MK25EVO/S620Ti regülatör kombinasyonu FM2 yüz maskesine montaj ve kullanım için onaylanmıştır.

MK25EVO/S620Ti'nin yalnızca FM2 sertifikalı konfigürasyonları, aksesuar milleri veya dirsekleri olmayan SCUBAPRO standart 75 cm hortumlara sahip olanlardır.

Satıştaki süreler için hava giriş valfi (şekil 1-B), valfi açarak dalış için kullanılacak havanın tüketilmesini önler: İkinci aşamadan nefes almaya başlamak ve dalışa başlamak için satış süresi için hava giriş valfini kapatmanız yeterlidir. FM2 yüz maskesi, etkili ve doğal su tahliyesi için çenenin altında bir su tahliye valfine sahiptir. Orijinal ve onaylı konfigürasyon bir tahliye vanası koruma borusu ile donatılmıştır (Şekil 1-C).

Bu boru, belirli koşullar altında hava kaynağının göreceli konumu nedeniyle oluşan hidrostatik basınç farkından kaynaklanan dalış sırasında ikinci kademedan serbest akışı önler.

⚠ UYARI

Su tahliye vanası koruma borusunun çıkarılması, sertifikalı konfigürasyonda bir değişiklik teşkil eder ve Avrupa sertifikasyon standardına uygunluğunun kaybedilmesi anlamına gelir.

FM2 yüz maskesi, SCUBAPRO HUD dalış bilgisayarı da dahil olmak üzere aksesuar montajı için bağlantılara sahiptir (aksesuarların montajı için kitleler ayrıca mevcuttur).

Özellikler ve kullanımla ilgili ayrıntılar için KULLANIM bölümüne bakın

4. KULLANIM

4.1 Dalış için hazırlık - kullanmadan önce önemli uyarılar

Maskenin ön kısmında ikinci kademeyi banırdırmak için tasarlanmış bağlantı bulunabilir.

İkinci kademeyi bağlamak için gerekli bileşen grubu bu bağlantıya zaten monte edilmiştir (bkz. şekil 1 ve 2).

Gövdeye (D) vidalanan bu grup, bir halka (A), pul (E), ara parça (G) ve kauçuk manşondan (F) oluşur.

İkinci kademeyi monte etmek için aşağıdaki işlemleri takip edin.

Ağızlığı yerinde tutan kayışı açtıktan sonra ikinci kademedan çıkarın.

Halkayı (A) tamamen sökün, pul (E) gövde (D) üzerinde yerinde dururken, üç bileşeni, halkayı (A), ara parçayı (G) ve manşonu (F) şekil 3.1'deki gibi önceden monte edilmiş halde tutun.

Pulun (E), iki sızdırmazlık parçasının vidalı kapağın eteğine bakacak şekilde monte edildiğinden emin olun (büyütme 2.1).

İkinci kademeyi kauçuk manşonun (F) içine yerleştirin.

Ardından, ikinci kademeyi ikinci kademenin yerleştirildiği kauçuk kovana sabitlemek için birlikte verilen kayışı (H) kullanın ve yeterince sıkıştırdığınızdan emin olun.

Tüm üniteyi yüz maskesine monte edin, halkayı (A) sıkın ve tüm montajın güvenli bir şekilde bağlanmasını garanti edecek şekilde sonuna kadar sıkın (şekil 4), vidalama sırasında gövdenin dönmediğinden emin olun, gövdenin arkasında görünen küçük üçgen işaretinin (D) şekil 3.2'de olduğu gibi yukarı baktığını kontrol edin.

⚠ UYARI

Ön montaj işlemlerini gerçekleştirirken, her zaman ikinci kademe bağlantı grubunu ve ikinci kademenin kendisini tutan ve birlikte verilen kayışı doğru şekilde sıkıştırdığınızdan emin olun.

Hatalı veya yanlış sıkma dalış sırasında çok tehlikeli olabilir ve kazalara ve yaralanmalara, hatta ölümcül kazalara neden olabilir.

Lenste buğulanma meydana gelirse iç yüzeyde SCUBAPRO buğu önleyici çözelti (P/N 24.090.000) kullanın sonrasında maskeyi suyla iyice durulayın (maske yeniyse bu işlemi üç kez tekrarlayın).

Asla alkol vb. gibi çözücüler veya temizleyiciler kullanmayın. Gerekirse sadece sıvı sabun kullanın.

! UYARI

Dalıştan önce ekipmanın ve tam yüz maskesinin satıhta takılması tavsiye edilir.

4.2 Dalış

FM2/MK25EVO/S620Ti'yi takmadan önce, tüm parçaların bir dalış için optimum durumda olduğundan emin olun.

Tüm tokaları, kayışları, ikinci kademe bağlantılarını, çerçeveyi ve yüz maskesini kontrol edin.

Maskeyi takın ve buğulanma olup olmadığını ve eşitleme yapabildiğinizi kontrol edin.

! UYARI

Ekipmanın ve FM2/MK25EVO/S620Ti'nin iyi durumda olduğunu ve doğru çalıştığını kontrol etmeden dalış yapmayın.

Herhangi bir kusur, hasar veya değiştirme fark ederseniz, derhal bir SCUBAPRO Yetkili servis teknisyenine başvurun.

! UYARI

Yüzüstü suya atlamayın veya maskeyi keskin bir nesnenin üstüne düşürmeyin: Yüksek darbe lenslerin kırılmasına ve kullanıcının yaralanmasına neden olabilir.

Ön kontroller yapıldıktan sonra, kayışların beş ucunu ayarlayarak FM2/MK25EVO/S620Ti maskesini takın ve maskenin yüzünüzdeki optimum ayarına ulaşana kadar her bir ucu azar azar çekerek beş kayışı ayrı ayrı sıkın. (Şekil 5.1)

Ayarlamayı kolaylaştırmak için kayışların uçlarını geçici olarak halkalarından çıkarabilirsiniz.

Maskeyi gevşetmek veya çıkarmak için, ilgili alt kayışları çekerken toka tırnaklarını hafifçe kaldırın (Şekil 5.2).

! UYARI

Serbest dalışta, 2 metreden (6 fit) daha derinde su basıncı maskeyi yüze doğru itecektir.

Sertifikalı bir konfigürasyonda kullanıldığında, sorunlardan kaçınmak için normal nefes almak yeterlidir.

! UYARI

Dalış sırasında kulak zarında aşırı basınç oluşması gibi tehlikeli bir durumdan kaçınmak için burnunuzu parmaklarınızla sıkıştırın ve havayı kulak zarı duvarının içine doğru itmek için ağzınızı kapalıyken üfleterek kulak basıncınızı eşitleyin.

Yüzeydeki duraklamalar sırasında, tüpten hava kullanmadan açık havayı solumak için dişli tapayı (şekil 1-B) sökerek maske üzerinde sağlanan yüzey hava giriş valfini kullanabilirsiniz.

Dalıştan önce, maskeyi tekrar mühürlenmek için tapayı tamamen geri vidalayın.

! UYARI

Dalıştan önce, yüzey kullanımı için hava giriş valfinin kapalı olduğundan ve suyun maskeye girmesini ve taşmasını önlemek için maskenin yüze tam oturduğundan emin olun.

! UYARI

SCUBAPRO her zaman yedek bir kurtarma sistemi bulundurmanızı önerir: FM2/MK25EVO/S620Ti maskesine bağlı olmayan birinci ve ikinci kademeye sahip bir regülatör vb.

SCUBAPRO ayrıca yanınızda yedek bir maske taşımanızı önerir.

! UYARI

Dalış sırasında FM2'yi çıkarıp tekrar takmak mümkün değildir. FM2'nin su altında çıkarılması gerekiyorsa, tekrar takmayın. Yedek bir maske ve regülatör kullanın ve hemen yükselmeye başlayın.

5. KULLANILMADIKLARI ZAMAN KORUMA

Her dalıştan sonra, özellikle de dalış klorlu suda gerçekleştiriliyorsa, maskeyi tatlı suyla iyice durulayın.

⚠ UYARI

Özellikle FM2/MK25EVO/S620Ti kirlı suda kullanılmıřsa, iyice duruladıđınızdan ve temizlediđinizden emin olun.

5.1 Dezenfeksiyon

SCUBAPRO McNett Revivex Temizleyiciyi önerir. Ambalajda yer alan prosedüre ve seyreltmeye uygun olarak kullanın.

⚠ UYARI

Alkol vb. gibi çözücüler veya deterjanlar kullanmayın.

5.2 Saklama

Güneř iřıđından uzak serin bir yerde kurumaya bırakın, suyu akacak řekilde yerleřtirin.

Kuruduktan sonra maskeyi güneř iřıđından uzak, kuru bir yerde ve oda sıcaklıđında saklayın.

SICAKLIK SINIRLARI -10°C / 60°C

6. BAKIM

Bu kılavuzda açıklananların dıřındaki iřlemler kullanıcı tarafından deđil, kalifiye ve yetkili bir SCUBAPRO teknisyeni tarafından gerçekleřtirilmelidir.

FM2 yüz maskesine her 2 yılda bir yetkili bir SCUBAPRO teknisyeni tarafından bakım yapılmalıdır. Garantinin korunması için revizyon zorunludur. Regülatörlerle ilgili bakım için SCUBAPRO regülatörleri kılavuzuna başvurun.

Lütfen Johnson Outdoors garanti kořullarına bakın. Bakım iřlemi SEÇİLİ SCUBAPRO BAYİ iřaretine sahip SCUBAPRO Yetkili bayileri tarafından veya www.scubapro.com adresi ziyaret edilip yapılabilir.

1. ΣΗΜΑΝΤΙΚΕΣ ΠΡΟΕΙΔΟΠΟΙΗΣΕΙΣ

ΠΡΟΕΙΔΟΠΟΙΗΣΗ

Διαβάστε και κατανοήστε πλήρως το παρόν εγχειρίδιο πριν από τη χρήση του προϊόντος. Συνιστάται να κρατήσετε αυτό το εγχειρίδιο καθ' όλη τη διάρκεια ζωής του προϊόντος.

ΠΡΟΕΙΔΟΠΟΙΗΣΗ

Κατά την κατάδυση, πρέπει να ακολουθείτε τους κανόνες και να ασκείτε τις δεξιότητες που διδάσκονται από αναγνωρισμένους πιστοποιημένους οργανισμούς εκπαίδευσης στην αυτόνομη κατάδυση. Πριν από τη συμμετοχή σε οποιαδήποτε καταδυτική δραστηριότητα, είναι υποχρεωτικό να έχετε ολοκληρώσει επιτυχώς ένα εκπαιδευτικό πρόγραμμα αυτόνομης κατάδυσης που καλύπτει τόσο τις θεωρητικές όσο και τις τεχνικές πτυχές της κατάδυσης με μάσκα ολόκληρου προσώπου.

ΠΡΟΕΙΔΟΠΟΙΗΣΗ

Αυτό το εγχειρίδιο οδηγιών δεν αντικαθιστά ένα εκπαιδευτικό καταδυτικό πρόγραμμα.

ΠΡΟΕΙΔΟΠΟΙΗΣΗ

Για λεπτομέρειες σχετικά με τα χαρακτηριστικά, τη χρήση, τη φροντίδα και τη συντήρηση του ρυθμιστή MK25EVO/S620Ti ανατρέξτε στο εγχειρίδιο χρήσης των ρυθμιστών SCUBAPRO.

2. ΕΥΡΩΠΑΪΚΗ ΠΙΣΤΟΠΟΙΗΣΗ

Το κάλυμμα προσώπου FM2 και ο ρυθμιστής MK25EVO/S620Ti αποτελούν μαζί τη μάσκα ολόκληρου προσώπου FM2/MK25EVO/S620Ti.

Η μάσκα ολόκληρου προσώπου SCUBAPRO FM2/MK25EVO/S620Ti έχει λάβει την ευρωπαϊκή πιστοποίηση σύμφωνα με τους ευρωπαϊκούς κανόνες που ρυθμίζουν τους όρους διάθεσης στην αγορά και τις θεμελιώδεις απαιτήσεις ασφαλείας για τα μέσα ατομικής προστασίας (ΜΑΠ) τρίτης κατηγορίας. Η πιστοποίηση εκδόθηκε από τον κοινοποιημένο οργανισμό RINA, με τη χρήση των μοναδικών μοντέλων ρυθμιστών SCUBAPRO που περιλαμβάνονται στο παρόν εγχειρίδιο.

Οι δοκιμές πιστοποίησης έχουν διεξαχθεί σύμφωνα με το εναρμονισμένο πρότυπο EN250:2014, ώστε να διασφαλίζεται συμμόρφωση με τις θεμελιώδεις απαιτήσεις για την υγεία και την ασφάλεια που ορίζονται από τον ευρωπαϊκό κανονισμό 2016/425/ΕΕ.

Οι σημάτσες CE και EN250 πάνω στο προϊόν δηλώνουν συμμόρφωση με τις εν λόγω απαιτήσεις.

Ο αριθμός 0474 είναι ο αριθμός αναγνώρισης της RINA, με διεύθυνση Via Corsica, 12, 16128 Genova (GE) Ιταλία, του κοινοποιημένου οργανισμού που αξιολογεί τη συμμόρφωση του προϊόντος και ελέγχει τη συμμόρφωση της παραγωγής με τους κανονισμούς, βάσει των ενότητων Β και Δ του κανονισμού 2016/425/ΕΕ. Η σήμανση 232 bar και 300 bar στο πρώτο στάδιο υποδεικνύει τη μέγιστη πίεση τροφοδοσίας του ΜΑΠ.

Ο κατασκευαστής του SCUBAPRO FM2/MK25EVO/S620Ti είναι η SCUBAPRO EUROPE s.r.l., με διεύθυνση Via Tangoni 16, 16030 Casarza Ligure (GE) Ιταλία. Η SCUBAPRO EUROPE s.r.l. διαθέτει σύστημα διαχείρισης ποιότητας πιστοποιημένο από τη RINA σύμφωνα με το πρότυπο ISO9001:2015.

2.1 Πρότυπο EN 250:2014 - έννοια και απαιτήσεις

Οι απαιτήσεις και οι δοκιμές που ορίζονται από το πρότυπο EN 250:2014 έχουν ως στόχο να εγγυηθούν ένα ελάχιστο επίπεδο ασφαλείας για τη λειτουργία των υποβρύχιων αναπνευστικών συσκευών. Στην Ευρώπη, το πρότυπο EN 250:2014 ορίζει τις ελάχιστες τεχνικές απαιτήσεις που πρέπει να πληρούν τα SCUBA και αποτελεί την πιο πρόσφατη αναθεώρηση του προτύπου EN250.

2.2 Περιορισμοί που προβλέπονται από το πρότυπο EN250:2014

Η μονάδα SCUBA μπορεί να αποτελείται από ξεχωριστά εξαρτήματα όπως: φιάλη(-ες), ρυθμιστή(-ές), μανόμετρο και κάλυμμα προσώπου.

Η μονάδα SCUBA προορίζεται μόνο για υποβρύχια καταδύσεις.

Η μάσκα ολόκληρου προσώπου FM2/MK25EVO/S620Ti αποτελείται από ένα κάλυμμα προσώπου ενσωματωμένο με έναν ρυθμιστή και, ως εκ τούτου, αποτελεί ΜΑΠ που προστατεύει τα μάτια από την επαφή με το νερό και τις αναπνευστικές οδούς που υπόκεινται στην επίδραση της πίεσης, παρέχοντας αναπνεύσιμο αέρα υπό τις απαραίτητες συνθήκες χρήσης κατά τη διάρκεια της κατάδυσης.

Το FM2/MK25EVO/S620Ti μπορεί να χρησιμοποιηθεί με μονάδες εξαρτημάτων SCUBA που έχουν πιστοποιηθεί σύμφωνα με τον κανονισμό 2016/425 της ΕΕ και το πρότυπο EN 250:2014. Ο αέρας που περιέχεται στις φιάλες πρέπει να συμμορφώνεται με τις απαιτήσεις για τον αναπνεύσιμο αέρα που ορίζονται στο πρότυπο EN 12021. Το βάθος για το οποίο έχουν πιστοποιηθεί είναι τα 50 μέτρα (164 πόδια). Σε κάθε περίπτωση, οι δύτες πρέπει πάντα να τηρούν τα όρια που καθορίζονται από τους τοπικούς κανονισμούς της περιοχής κατάδυσης.

ΣΗΜΑΝΤΙΚΟ

Η ευρωπαϊκή πιστοποίηση των ΜΑΠ FM2/MK25EVO/S620Τι αφορά το πλήρες προϊόν που αποτελείται από:

- 1) Ένα προστατευτικό κάλυμμα προσώπου SCUBAPRO FM2.
- 2) Ένα δεύτερο στάδιο S620Τι συναρμολογημένο μετωπικά στο κάλυμμα προσώπου FM2 και συνδεδεμένο με ένα μόνο πρώτο στάδιο MK25EVO.

⚠ ΠΡΟΕΙΔΟΠΟΙΗΣΗ

Το κάλυμμα προσώπου FM2 έχει πιστοποιηθεί μόνο με τα μοντέλα ρυθμιστών που αναφέρονται στο παρόν εγχειρίδιο, με τα οποία έχουν διεξαχθεί οι ευρωπαϊκές δοκιμές πιστοποίησης, σύμφωνα με το πρότυπο EN250:2014. Η χρήση του FM2 με άλλες ρυθμιστικές αρχές δεν εμπίπτει στο πεδίο εφαρμογής της πιστοποίησης.

⚠ ΠΡΟΕΙΔΟΠΟΙΗΣΗ

Οποιαδήποτε αλλαγή στη διαμόρφωση του FM2/MK25EVO/S620Τι που δεν περιλαμβάνεται στην πιστοποιημένη ευρωπαϊκή διαμόρφωση, όπως περιγράφεται στο παρόν εγχειρίδιο, συμπεριλαμβανομένου, για παράδειγμα, του σωλήνα χαμηλής πίεσης που παρέχεται με τον ρυθμιστή, έχει ως αποτέλεσμα την απώλεια της συμμόρφωσης με το πρότυπο ευρωπαϊκής πιστοποίησης.

Η μέγιστη πίεση λειτουργίας εξαρτάται από τη σύνδεση του χρησιμοποιούμενου ρυθμιστή MK25 EVO/S620Τι: 300 bar για τη σύνδεση DIN και 232 bar για τη σύνδεση INT, σύμφωνα με τη σήμανση στο πρώτο στάδιο.

Ανατρέξτε στο εγχειρίδιο των ρυθμιστών SCUBAPRO για περισσότερες τεχνικές λεπτομέρειες και πληροφορίες σχετικά με τον ρυθμιστή.

Το FM2/MK25EVO/S620Τι έχει πιστοποιηθεί για χρήση σε κρύο νερό, δηλαδή σε θερμοκρασίες κάτω των 10°C (50°F).

2.2.1 ΧΤΑΠΟΔΙ (Βοηθητική Αναπνευστική Συσκευή Έκτακτης Ανάγκης)

Το χταπόδι θεωρείται συνήθως ένα βοηθητικό δεύτερο στάδιο που χρησιμοποιείται από τον δύτη σε περίπτωση έκτακτης ανάγκης (όπως δυσλειτουργία του κύριου δεύτερου σταδίου).

⚠ ΠΡΟΕΙΔΟΠΟΙΗΣΗ

Μόνο οι συσκευές SCUBA που συμμορφώνονται με το πρότυπο EN250:2014 με ρυθμιστή με την ένδειξη «EN250A» ή «EN250A>10°C» μπορούν να χρησιμοποιούνται ως συσκευές διάσωσης από πολλούς δύτες ταυτόχρονα.

⚠ ΠΡΟΕΙΔΟΠΟΙΗΣΗ

Εάν η συσκευή SCUBA είναι διαμορφωμένη για χρήση και χρησιμοποιείται από περισσότερους από έναν δύτες ταυτόχρονα, τότε δεν θα πρέπει να χρησιμοποιείται σε βάρη άνω των 30 μέτρων και σε θερμοκρασίες νερού κάτω των 4°C εάν φέρει την ένδειξη «EN250A» και κάτω των 10°C εάν φέρει την ένδειξη «EN250A>10°C».

Η σήμανση EN250A βρίσκεται στο πρώτο και το δεύτερο στάδιο του ρυθμιστή MK25EVO/S620Τι. Το κάλυμμα προσώπου FM2 φέρει την ένδειξη EN250.

2.3 Σημαντικές σημειώσεις

Για τη δική σας προστασία κατά τη χρήση του εξοπλισμού υποστήριξης ζωτικών λειτουργιών SCUBAPRO, σας εφιστούμε την προσοχή στα ακόλουθα:

1. Χρησιμοποιείτε τον εξοπλισμό σύμφωνα με τις οδηγίες του παρόντος εγχειριδίου και μόνο αφού διαβάσετε και κατανοήσατε πλήρως όλες τις οδηγίες και προειδοποιήσεις.
2. Η χρήση του εξοπλισμού περιορίζεται στις χρήσεις που περιγράφονται στο παρόν εγχειρίδιο ή για εφαρμογές που έχουν εγκριθεί εγγράφως από τη SCUBAPRO.
3. Η πλήρωση των φιαλών πρέπει να γίνεται μόνο με ατμοσφαιρικό πεπιεσμένο αέρα, σύμφωνα με το πρότυπο EN 12021. Εάν υπάρχει υγρασία στο εσωτερικό της φιάλης, εκτός από το ότι θα προκληθεί διάβρωση της φιάλης, ο ρυθμιστής μπορεί να παγώσει, με αποτέλεσμα να παρουσιάσει δυσλειτουργία κατά τη διάρκεια καταδύσεων που πραγματοποιούνται σε χαμηλές θερμοκρασίες (κάτω από 10°C (50°F)). Οι φιάλες πρέπει να μεταφέρονται σύμφωνα με τους τοπικούς κανόνες που προβλέπονται για τη μεταφορά επικίνδυνων εμπορευμάτων. Η χρήση των φιαλών υπόκειται στους νόμους που ρυθμίζουν τη χρήση αερίων και πεπιεσμένου αέρα.
4. Ο εξοπλισμός πρέπει να επισκευάζεται από εξουσιοδοτημένο τεχνικό της SCUBAPRO με την προβλεπόμενη συχνότητα. Οι επιθεωρήσεις πρέπει να καταγράφονται. Κατά τις επισκευές και τη συντήρηση, πρέπει να χρησιμοποιούνται μόνο ανταλλακτικά SCUBAPRO.
5. Εάν το σέρβις ή η επισκευή του εξοπλισμού διεξάγεται χωρίς να τηρούνται οι εγκεκριμένες διαδικασίες από τη SCUBAPRO ή από προσωπικό το οποίο δεν έχει λάβει εκπαίδευση ή πιστοποίηση από τη SCUBAPRO, ή εάν ο εξοπλισμός χρησιμοποιείται με τρόπο που και για σκοπούς διαφορετικούς από εκείνους για τους οποίους σχεδιάστηκε, η ευθύνη για την ορθή και ασφαλή λειτουργία του εξοπλισμού μετατίθεται στον ιδιοκτήτη/χρήστη.

6. Ένας δύτες πρέπει να αναπνέει συνεχώς, χωρίς να κρατά την αναπνοή του.
7. Όλες οι καταδύσεις πρέπει να σχεδιάζονται και να διεξάγονται έτσι, ώστε στο τέλος της κατάδυσης ο δύτες να έχει ένα λογικό απόθεμα αέρα για χρήση σε περίπτωση ανάγκης. Η προτεινόμενη ποσότητα είναι συνήθως 50 bar (725 psi).
8. Εάν ο εξοπλισμός SCUBA πρόκειται να χρησιμοποιηθεί σε ψυχρά νερά (θερμοκρασία κάτω από 10°C (50°F)), θα πρέπει να χρησιμοποιείται ρυθμιστής κατάλληλος για τέτοιες θερμοκρασίες.

ΠΡΟΕΙΔΟΠΟΙΗΣΗ

Η κατάδυση σε ψυχρά νερά απαιτεί ειδικό εξοπλισμό και τεχνικές. Πριν από την κατάδυση σε ψυχρά νερά, συνιστούμε αυστηρά την ολοκλήρωση κατάλληλης εκπαίδευσης από αναγνωρισμένο φορέα.

9. Το περιεχόμενο του παρόντος εγχειριδίου βασίζεται στις πιο πρόσφατες πληροφορίες που ήταν διαθέσιμες κατά τη στιγμή της εκτύπωσης. Η SCUBAPRO διατηρεί το δικαίωμα να προβαίνει σε αλλαγές ανά πάσα στιγμή.
- Η SCUBAPRO αρνείται κάθε ευθύνη για ζημιές που θα προκύψουν από την απουσία συμμόρφωσης με τις οδηγίες του παρόντος εγχειριδίου. Οι παρούσες οδηγίες δεν επεκτείνουν την εγγύηση ή τις υποχρεώσεις που αναφέρονται στους όρους πώλησης και παράδοσης της SCUBAPRO.
- Προκειμένου η εγγύηση να παραμείνει σε ισχύ, η συντήρηση πρέπει να εκτελείται από εξειδικευμένο τεχνικό της SCUBAPRO και να τηρούνται αρχεία συντήρησης. Για λεπτομέρειες, επικοινωνήστε με έναν εξουσιοδοτημένο αντιπρόσωπο της SCUBAPRO.

3. ΓΕΝΙΚΑ ΧΑΡΑΚΤΗΡΙΣΤΙΚΑ

ΠΡΟΕΙΔΟΠΟΙΗΣΗ

Μόνο ο συνδυασμός ρυθμιστών MK25EVO/S620Ti έχει πιστοποιηθεί για συναρμολόγηση και χρήση στο κάλυμμα προσώπου FM2.

Οι μόνες διαμορφώσεις του MK25EVO/S620Ti που έχουν πιστοποιηθεί με FM2 είναι αποκλειστικά εκείνες που διαθέτουν τυπικούς σωλήνες SCUBAPRO 75 cm, χωρίς γωνιακούς συνδετήρες ή στροφείς αξεσουάρ.

Η βαλβίδα εισαγωγής αέρα για τις χρονικές περιόδους στην επιφάνεια (εικόνα 1-B) επιτρέπει, ανοίγοντας τη βαλβίδα, να αποφευχθεί η κατανάλωση παροχής αέρα που είναι χρήσιμη για την κατάδυση: απλά κλείστε τη βαλβίδα εισαγωγής αέρα για τις χρονικές περιόδους στην επιφάνεια για να αρχίσετε να αναπνέετε από το δεύτερο στάδιο και να ξεκινήσετε την κατάδυση.

Το κάλυμμα προσώπου FM2 διαθέτει βαλβίδα αποστράγγισης νερού κάτω από το ηγούλι, για ιδιαίτερα αποτελεσματική και φυσική αποστράγγιση του νερού. Η αρχική και πιστοποιημένη διαμόρφωση είναι εξοπλισμένη με σωλήνα προστασίας βαλβίδας αποστράγγισης (σχήμα 1-C).

Αυτός ο σωλήνας εμποδίζει την ελεύθερη ροή από το δεύτερο στάδιο κατά τη διάρκεια της κατάδυσης, η οποία προκαλείται από τη διαφορά υδροστατικής πίεσης που δημιουργείται, υπό ορισμένες συνθήκες, από τη σχετική θέση της πηγής αέρα.

ΠΡΟΕΙΔΟΠΟΙΗΣΗ

Η αφαίρεση του προστατευτικού σωλήνα της βαλβίδας αποστράγγισης νερού συνιστά αλλαγή της πιστοποιημένης διαμόρφωσης και συνεπάγεται την απώλεια της συμμόρφωσης με το πρότυπο ευρωπαϊκής πιστοποίησης.

Το κάλυμμα προσώπου FM2 διαθέτει συνδέσεις για τη συναρμολόγηση αξεσουάρ, συμπεριλαμβανομένου του καταδυτικού υπολογιστή SCUBAPRO HUD (τα κίτ για τη συναρμολόγηση των αξεσουάρ διατίθενται ξεχωριστά).

Για λεπτομέρειες σχετικά με τα χαρακτηριστικά και τη χρήση, ανατρέξτε στην ενότητα ΧΡΗΣΗ

4. ΧΡΗΣΗ

4.1 Προετοιμασία για κατάδυση – σημαντικές προειδοποιήσεις πριν από τη χρήση

Στο μπροστινό μέρος της μάσκας υπάρχει η σύνδεση που έχει σχεδιαστεί για να φιλοξενήσει το δεύτερο στάδιο.

Η ομάδα των εξαρτημάτων που απαιτούνται για τη σύνδεση του δεύτερου σταδίου έχει ήδη συναρμολογηθεί σε αυτήν τη σύνδεση (εικόνας 1 και 2).

Αυτή η ομάδα, που βιδώνεται στο σώμα (D), αποτελείται από δακτύλιο (A), ροδέλα (E), αποστάτη (G) και καπάκι από καουτσούκ (F).

Για να συναρμολογήσετε το δεύτερο στάδιο, συνεχίστε ως εξής:

Αφαιρέστε το επιστόμιο από το δεύτερο στάδιο αφού ανοίξετε τον ιμάντα που το συγκρατεί στη θέση του.

Εξβιδώστε πλήρως τον δακτύλιο (A), διατηρώντας τα τρία εξαρτήματα, τον δακτύλιο (A), τον αποστάτη (G) και το καπάκι (F) προσυναρμολογημένα όπως στην εικόνα 3.1, ενώ η ροδέλα (E) παραμένει στη θέση της στο σώμα (D).

Βεβαιωθείτε ότι η ροδέλα (E) έχει συναρμολογηθεί έτσι ώστε τα δύο λαστιχάκια στεγανοποίησης να είναι στραμμένα προς τη δακτυλιοειδή τρύπα (μεγέθυνση 2.1).

Εισαγάγετε το δεύτερο στάδιο μέσα στο καπάκι από καουτσούκ (F).

Στη συνέχεια, χρησιμοποιήστε τον παρεχόμενο ιμάντα (H) για να ασφαλίσετε το δεύτερο στάδιο στο καπάκι από καουτσούκ στο οποίο έχει εισαχθεί το δεύτερο στάδιο, φροντίζοντας να το σφίξετε επαρκώς.

Συναρμολογήστε ολόκληρη τη μονάδα στο κάλυμμα προσώπου, βιδώνοντας το δακτύλιο (A) και σφίγγοντάς τον μέχρι τέρμα, ώστε να διασφαλιστεί η ασφαλής σύνδεση ολόκληρου του συστήματος (εικόνα 4), φροντίζοντας να μην περιστρέφεται το σώμα κατά το βιδωμα και ελέγχοντας ότι το μικρό τρίγωνο που είναι ορατό στο πίσω μέρος του σώματος (D) παραμένει στραμμένο προς τα πάνω, όπως στην εικόνα 3.2.

ΠΡΟΕΙΔΟΠΟΙΗΣΗ

Κατά τις προκαταρκτικές εργασίες συναρμολόγησης, ελέγχετε πάντα ότι έχετε σφίξει σωστά την ομάδα σύνδεσης του δεύτερου σταδίου και τον παρεχόμενο ιμάντα που συγκρατεί το ίδιο το δεύτερο στάδιο.

Το αποτυχημένο ή το λανθασμένο σφίξιμο μπορεί να αποβεί πολύ επικίνδυνο κατά τη διάρκεια της κατάδυσης και να προκαλέσει ατυχήματα και τραυματισμούς, ακόμη και θανατηφόρους.

Αν οι φακοί αρχίσουν να θαμπώνουν, χρησιμοποιήστε το αντιθαμβωτικό διάλυμα της SCUBAPRO (P/N 24.090.000) στην εσωτερική επιφάνεια και, στη συνέχεια, ξεπλύνετε καλά τη μάσκα με νερό (επαναλάβετε τρεις φορές, αν η μάσκα είναι καινούρια).

Ποτέ μην χρησιμοποιείτε διαλύτες ή καθαριστικά όπως οινόπνευμα κ.λπ. Εάν χρειάζεται, χρησιμοποιήστε μόνο υγρό σαπούνι.

ΠΡΟΕΙΔΟΠΟΙΗΣΗ

Συνιστάται να φορέσετε τον εξοπλισμό και τη μάσκα ολόκληρου προσώπου στην επιφάνεια πριν από την κατάδυση.

4.2 Κατάδυσεις

Πριν φορέσετε το FM2/MK25EVO/S620Ti, εξετάστε το για να βεβαιωθείτε ότι όλα τα μέρη είναι σε άριστη κατάσταση για κατάδυση.

Ελέγξτε όλες τις αγκράφες, τους ιμάντες, τη σύνδεση του δεύτερου σταδίου, το πλαίσιο και το κάλυμμα προσώπου.

Τοποθετήστε τη μάσκα και ελέγξτε αν θαλώνει και αν μπορείτε να εξισώσετε την πίεση.

ΠΡΟΕΙΔΟΠΟΙΗΣΗ

Μην κάνετε κατάδυση εάν δεν έχετε πρώτα ελέγξει την καλή κατάσταση και τη σωστή λειτουργία του εξοπλισμού και του FM2/MK25EVO/S620Ti.

Εάν παρατηρήσετε ελαττώματα, ζημιές ή αλλοιώσεις, επικοινωνήστε αμέσως με έναν εξουσιοδοτημένο τεχνικό σέρβις της SCUBAPRO.

ΠΡΟΕΙΔΟΠΟΙΗΣΗ

Μην βουτάτε στο νερό με το κεφάλι και μην πετάτε τη μάσκα πάνω σε αιχμηρά αντικείμενα: η δυνατή πρόσκρουση μπορεί να προκαλέσει θραύση των φακών με αποτέλεσμα τραυματισμό του χρήστη.

Αφού πραγματοποιήσετε τους προκαταρκτικούς ελέγχους, φορέστε τη μάσκα FM2/MK25EVO/S620Ti ρυθμίζοντας τα πέντε άκρα των ιμάντων και σφίξτε τους πέντε ιμάντες ξεχωριστά, τραβώντας απλά κάθε άκρο λίγο-λίγο, μέχρι να επιτευχθεί η βέλτιστη προσαρμογή της μάσκας στο πρόσωπό σας. (εικόνα 5.1)

Για να διευκολύνετε τη ρύθμιση, μπορείτε να αφαιρέσετε προσωρινά τα άκρα των ιμάντων από τις θηλίδες τους.

Για να χαλαρώσετε ή να αφαιρέσετε τη μάσκα, ανασηκώστε ελαφρά τις γλωττίδες της αγκράφας, ενώ τραβάτε τους αντίστοιχους κάτω ιμάντες (εικόνα 5.2).

ΠΡΟΕΙΔΟΠΟΙΗΣΗ

Πέρα από τα 2 μέτρα βάθος (6 πόδια), σε ελεύθερη κατάδυση, η μάσκα πιέζεται στο πρόσωπο.

Όταν χρησιμοποιείται σε πιστοποιημένη διαμόρφωση, αρκεί να αναπνεύετε κανονικά για να αποφύγετε προβλήματα.

ΠΡΟΕΙΔΟΠΟΙΗΣΗ

Για να αποφύγετε την επικίνδυνη κατάσταση της σύνθλιψης του τυμπάνου κατά την κατάδυση, πιέστε τη μύτη σας με τα δάχτυλά σας και φυσήξτε με κλειστό στόμα για να ωθήσετε αέρα στο εσωτερικό του τοιχώματος του τυμπάνου.

Κατά τη διάρκεια των στάσεων στην επιφάνεια μπορείτε να χρησιμοποιήσετε τη βαλβίδα εισαγωγής επιφανειακού αέρα που παρέχεται στη μάσκα, ξεβιδώνοντας τη σπειροειδή τάπα (εικόνα 1-B) για να αναπνέετε ατμοσφαιρικό αέρα χωρίς να χρησιμοποιείτε αέρα από τους κυλίνδρους.

Πριν από την κατάδυση, βιδώστε το πώμα εντελώς για να σφραγίσετε ξανά τη μάσκα.

ΠΡΟΕΙΔΟΠΟΙΗΣΗ

Πριν από την κατάδυση, βεβαιωθείτε ότι η βαλβίδα εισαγωγής αέρα για χρήση στην επιφάνεια είναι κλειστή και ότι η μάσκα είναι σφραγισμένη, για να αποτρέψετε την είσοδο νερού και την πλήρωση της μάσκας με νερό.

ΠΡΟΕΙΔΟΠΟΙΗΣΗ

Η SCUBAPRO συνιστά να έχετε πάντα διαθέσιμο ένα εφεδρικό σύστημα διάσωσης: ολόκληρο ρυθμιστή με πρώτο και δεύτερο στάδιο που δεν είναι συνδεδεμένα με τη μάσκα FM2/MK25EVO/S620TI κ.λπ.

Η SCUBAPRO συνιστά επίσης να έχετε μαζί σας μια εφεδρική μάσκα.

ΠΡΟΕΙΔΟΠΟΙΗΣΗ

Κατά τη διάρκεια της κατάδυσης, δεν είναι δυνατόν να βγάλετε το FM2 και να το ξαναβάλετε. Εάν είναι απαραίτητο να αφαιρέσετε το FM2 κάτω από το νερό, μην το ξαναφορέσετε. Χρησιμοποιήστε μια εφεδρική μάσκα και ρυθμιστές και ξεκινήστε αμέσως να ανεβαίνετε προς την επιφάνεια.

5. ΦΡΟΝΤΙΔΑ ΟΤΑΝ ΤΟ ΠΡΟΪΟΝ ΔΕΝ ΧΡΗΣΙΜΟΠΟΙΕΙΤΑΙ

Ξεπλύνετε καλά τη μάσκα με γλυκό νερό μετά από κάθε κατάδυση, ειδικά αν πραγματοποιείται σε χλωριωμένο νερό.

ΠΡΟΕΙΔΟΠΟΙΗΣΗ

Ιδιαίτερα αν το FM2/MK25EVO/S620TI έχει χρησιμοποιηθεί σε μολυσμένο νερό, φροντίστε να το ξεπλύνετε και να το καθαρίσετε σχολαστικά.

5.1 Απολύμανση

Η SCUBAPRO συνιστά το καθαριστικό McNett Revivex. Χρησιμοποιήστε το σύμφωνα με τη διαδικασία και την αραίωση που περιγράφεται στη συσκευασία του.

ΠΡΟΕΙΔΟΠΟΙΗΣΗ

Μην χρησιμοποιείτε διαλύτες ή απορρυπαντικά όπως οινόπνευμα κ.λπ.

5.2 Αποθήκευση

Αφήστε το να στεγνώσει σε δροσερό μέρος μακριά από το φως του ήλιου, τοποθετώντας το έτσι ώστε να στραγγίζει το νερό. Μόλις στεγνώσει, αποθηκεύστε τη μάσκα μακριά από το ηλιακό φως σε ξηρό μέρος σε θερμοκρασία δωματίου.

ΟΡΙΑ ΘΕΡΜΟΚΡΑΣΙΑΣ -10°C / 60°C

6. ΣΥΝΤΗΡΗΣΗ

Εργασίες πέραν αυτών που περιγράφονται στο παρόν εγχειρίδιο δεν πρέπει να εκτελούνται από τον χρήστη, αλλά από εξειδικευμένο και εξουσιοδοτημένο τεχνικό της SCUBAPRO.

Το κάλυμμα προσώπου FM2 πρέπει να υποβάλλεται σε συντήρηση από εξουσιοδοτημένο τεχνικό της SCUBAPRO κάθε 2 χρόνια. Η επισκευή είναι υποχρεωτική για τη διατήρηση της εγγύησης. Για τη συντήρηση που αφορά τους ρυθμιστές, ανατρέξτε στο εγχειρίδιο για τους ρυθμιστές SCUBAPRO.

Ανατρέξτε στους όρους εγγύησης της Johnson Outdoors. Για υπηρεσίες σέρβις μπορείτε να απευθύνεστε στους εξουσιοδοτημένους αντιπροσώπους της SCUBAPRO με το αναγνωριστικό σήμα «SELECTED DEALER SCUBAPRO» ή να επισκέπτεστε τον ιστότοπο www.scubapro.com.

1. ВАЖНЫЕ ПРЕДУПРЕЖДЕНИЯ

ПРЕДУПРЕЖДЕНИЕ

Перед использованием изделия пожалуйста полностью прочтите и усвойте настоящее руководство. Рекомендуется сохранять это руководство в течение всего срока эксплуатации вашего снаряжения.

ПРЕДУПРЕЖДЕНИЕ

При совершении погружений необходимо следовать правилам и применять навыки, полученные при обучении в официальном сертифицированном центре обучения дайвингу. До начала каких бы то ни было подводных мероприятий требуется успешно завершить курс обучения дайвингу со скубой, включающий в себя теоретические и технические аспекты дайвинга с полнолицевой маской.

ПРЕДУПРЕЖДЕНИЕ

Настоящее руководство не заменяет собой курс обучения дайвингу.

ПРЕДУПРЕЖДЕНИЕ

Подробную информацию о характеристиках, использовании, уходе и обслуживании регулятора MK25EVO/S620Ti см. в руководстве по регуляторам SCUBAPRO.

2. СЕРТИФИКАЦИЯ ЕВРОСОЮЗА

Маска FM2 и регулятор MK25EVO/S620Ti вместе составляют полнолицевую маску FM2/MK25EVO/S620Ti.

Полнолицевая маска SCUBAPRO FM2/MK25EVO/S620Ti, описанная в данном руководстве, получила европейскую сертификацию в соответствии с европейскими правилами, регламентирующими условия выпуска в продажу, и основными требованиями безопасности для средств индивидуальной защиты третьей категории (СИЗ). Сертификация проведена аккредитованным органом RINA с использованием только тех моделей регуляторов SCUBAPRO, которые включены в данное руководство.

Для обеспечения соответствия основным требованиям здоровья и безопасности, установленным европейскими правилами 2016/425/EU, сертификационные испытания были проведены по гармонизированному стандарту EN250:2014.

Маркировка изделия CE и EN250 означает его соответствие вышеперечисленным требованиям.

Цифры 0474 рядом с маркировкой CE являются идентификационным кодом для RINA Via Corsica, 12, 16128 Genova (GE) Italy, уполномоченного органа, удостоверяющего и контролирующего соответствие продукции нормам согласно Модулям B и D (2016/425/EU). Маркировка 232bar и 300bar на первой ступени указывает на максимальное входное давление для СИЗ.

Изготовитель изделия SCUBAPRO FM2/MK25EVO/S620Ti — компания SCUBAPRO EUROPE s.r.l., Via Tangoni 16, 16030 Casarza Ligure (GE), Италия. SCUBAPRO EUROPE s.r.l. имеет систему управления качеством, сертифицированную RINA в соответствии со стандартом ISO9001: 2015.

2.1 Стандарт EN 250:2014 – значение и требования

Требования и испытания, устанавливаемые Стандартом EN 250:2014, призваны гарантировать минимальный уровень безопасности работы оборудования для дыхания под водой. В Европе стандарт EN 250:2014 определяет минимальные технические требования, которым должно соответствовать оборудование, и является последним пересмотренным вариантом стандарта EN250.

2.2 Ограничения, предусмотренные стандартом EN250:2014

Оборудование для дыхания под водой может состоять из нескольких отдельных компонентов, таких как баллоны, регуляторы, манометр и маска.

Оборудование предназначено исключительно для подводного плавания.

Полнолицевая маска FM2/MK25EVO/S620Ti состоит из маски, в которую интегрирован регулятор. Она является средством индивидуальной защиты, защищающим глаза от контакта с водой и дыхательные пути от воздействия давления, обеспечивая подачу пригодного для дыхания воздуха в необходимых условиях использования во время погружения.

Изделие FM2/MK25EVO/S620Ti может использоваться с другими компонентами оборудования для дыхания под водой, сертифицированными в соответствии с регламентом 2016/425 и стандартом EN 250:2014. Воздух, содержащийся в баллонах, должен соответствовать требованиям к воздуху для

дыхания, изложенным в Стандарте EN 12021. Изделие сертифицировано для использования на глубинах до 50 м (164 фт). При этом дайверу всегда следует соблюдать пределы, установленные законодательством по месту погружений.

ВАЖНО

Европейская сертификация СИЗ FM2/MK25EVO/S620Ti относится к комплектному изделию, состоящему из:

- 1) Маски SCUBAPRO FM2.
- 2) Второй ступени S620Ti, установленной спереди на маске FM2 и подключенной к одной первой ступени MK25EVO.

⚠ ПРЕДУПРЕЖДЕНИЕ

Маска FM2 сертифицирована только для моделей регуляторов, указанных в данном руководстве, с которыми были проведены европейские сертификационные испытания в соответствии со стандартом EN250:2014.

Использование FM2 с другими регуляторами не входит в область сертификации.

⚠ ПРЕДУПРЕЖДЕНИЕ

Любое изменение конфигурации FM2/MK25EVO/S620Ti, не входящее в сертифицированную европейскую конфигурацию, как то описано в данном руководстве, включая, например, использование поставляемого с регулятором шланга низкого давления, приводит к потере соответствия европейскому стандарту сертификации.

Максимальное рабочее давление зависит от используемого подключения регулятора MK25 EVO/S620Ti: 300 бар для подключения DIN и 232 бар для соединения INT, в соответствии с маркировкой на первой ступени.

Более подробную техническую информацию и сведения о регуляторе см. в руководстве по эксплуатации регуляторов SCUBAPRO.

Изделие FM2/MK25EVO/S620Ti сертифицировано для использования в холодной воде, т. е. при температуре ниже 10°C (50°F).

2.2.1 ОКТОПУС (аварийное вспомогательное дыхательное устройство)

Октопус в обычном понимании – это дополнительная вторая ступень, используемая дайвером в аварийных ситуациях (таких как неисправность основной второй ступени).

⚠ ПРЕДУПРЕЖДЕНИЕ

Только комплекты скубы, соответствующие требованиям стандарта EN250:2014, с регулятором с маркировкой EN250A или EN250A>10°C могут использоваться в качестве аварийного устройства более чем одним дайвером одновременно.

⚠ ПРЕДУПРЕЖДЕНИЕ

Если комплект скубы предусматривает её использование одновременно более чем одним дайвером, то такое использование должно быть ограничено глубинами не более 30 м и температурами не ниже 4°C для регуляторов с маркировкой EN250A и не ниже 10°C для регуляторов с маркировкой EN250A>10°C.

Маркировка EN250A есть на первой и второй ступенях регулятора MK25EVO/S620Ti. На маске FM2 есть маркировка EN250.

2.3 Важные замечания

В интересах вашей безопасности при использовании устройств жизнеобеспечения SCUBAPRO мы обращаем ваше внимание на следующее:

1. Используйте снаряжение в соответствии с инструкциями настоящего Руководства только после его полного прочтения и усвоения всех инструкций и предупреждений.
2. Использование снаряжения ограничивается целями, описанными в настоящем Руководстве или письменно санкционированными SCUBAPRO.
3. Баллоны должны заполняться только атмосферным сжатым воздухом в соответствии со Стандартом EN 12021. Наличие в баллоне влаги, помимо коррозии металла, может являться причиной замерзания и последующего отказа регулятора при погружениях в условиях низкой температуры (ниже 10°C/50°F). Перевозка баллонов должна осуществляться в соответствии

- с местными правилами перевозки опасных грузов. При использовании баллонов соблюдайте законы, регулирующие использование газов и сжатого воздуха.
- Обслуживание оборудования должно с установленной периодичностью проводиться уполномоченным техническим специалистом SCUBAPRO. Факт прохождения такого обслуживания должен подтверждаться документально. В ходе обслуживания и ремонта должны применяться только запчасти производства SCUBAPRO.
 - Если обслуживание или ремонт снаряжения производится без соблюдения утвержденных SCUBAPRO инструкций, необученным или не аттестованным SCUBAPRO персоналом, или если снаряжение используется в целях, отличных от установленных производителем, ответственность за правильную и безопасную работу снаряжения переносится на владельца/пользователя.
 - Дыхание должно быть непрерывным, без задержек.
 - Все погружения должны планироваться и выполняться так, чтобы к окончанию погружения у дайвера оставался бы достаточный резерв воздуха на случай непредвиденной необходимости. Рекомендуемое давление на выходе из воды - 50 атм. (725 фнт/кв.дюйм).
 - Если снаряжение предполагается использовать в холодной воде (при температуре ниже 10°C/50°F), необходимо использовать подходящий для этих температур регулятор.

⚠ ПРЕДУПРЕЖДЕНИЕ

Погружения в холодную воду требуют использования специальных снаряжения и технических приемов. SCUBAPRO настоятельно рекомендует вам до начала холодноводных погружений пройти соответствующее обучение в официальном учебном центре.

- Содержание настоящего Руководства основывается на последних данных, доступных в момент его сдачи в печать. SCUBAPRO сохраняет за собой право внесения изменений в любое время. SCUBAPRO слагает с себя всяческую ответственность за повреждения, вызванные несоблюдением содержащихся в настоящем Руководстве инструкций. Эти инструкции не продлевают гарантию или обязательства, заявленные в условиях продажи и поставки SCUBAPRO. Во избежание потери гарантии пожалуйста обслуживайте своё снаряжение силами квалифицированных технических работников SCUBAPRO. Сохраняйте все документы, подтверждающие это. За подробностями обращайтесь к уполномоченным дилерам SCUBAPRO.

3. ОБЩИЕ ХАРАКТЕРИСТИКИ

⚠ ПРЕДУПРЕЖДЕНИЕ

Только комбинация регуляторов MK25EVO/S620Ti сертифицирована для монтажа и использования с маской FM2.

В единственных конфигурациях MK25EVO/S620Ti, сертифицированных с маской FM2, используются стандартные 75-сантиметровые шланги SCUBAPRO, без дополнительных вертлюгов и колен.

Открыв клапан забора воздуха на поверхности (рис. 1-B), вы можете сэкономить необходимый для погружения воздух. Прежде чем приступить к погружению, просто закройте клапан забора воздуха на поверхности и начните дышать через вторую ступень.

Маска FM2 оснащена клапаном для отвода воды под подбородком, который обеспечивает особенно эффективный и естественный отвод воды. Оригинальная и сертифицированная комплектация оснащена защитной трубкой дренажного клапана (рисунок 1-C).

Эта трубка предотвращает свободный выход воздуха из второй ступени во время погружения, вызванный возникающей при определенных условиях из-за взаимного расположения источников воздуха разницей в гидростатическом давлении.

⚠ ПРЕДУПРЕЖДЕНИЕ

Удаление защитной трубки дренажного клапана представляет собой изменение сертифицированной конфигурации и влечет за собой потерю соответствия европейскому стандарту сертификации.

На маске FM2 есть разъемы для подключения аксессуаров, в том числе подводного компьютера SCUBAPRO HUD (комплекты для подключения аксессуаров продаются отдельно).

Подробную информацию о функциях и использовании см. в разделе «ИСПОЛЬЗОВАНИЕ».

4. ИСПОЛЬЗОВАНИЕ

4.1 Подготовка к погружению – важные предупреждения перед использованием

На передней части маски расположен порт, предназначенный для размещения второй ступени.

На этом порту уже собрана группа компонентов, необходимых для подключения второй ступени (рисунки 1 и 2).

Эта группа, навинчиваемая на корпус (D), состоит из кольца (A), шайбы (E), прокладки (G) и резиновой втулки (F).

Чтобы подключить вторую ступень, выполните следующие действия.

Снимите загубник со второй ступени, расстегнув зажим, который удерживает его на месте.

Полностью открутите кольцо (A), оставив три компонента, кольцо (A), прокладку (G) и втулку (F), в собранном виде, как показано на рисунке 3.1. Шайба (E) должна остаться на корпусе (D).

Убедитесь, что шайба (E) установлена таким образом, что два уплотнительных ребра обращены к резиновому ободку (увеличение 2.1).

Вставьте вторую ступень в резиновую втулку (F).

С помощью входящего в комплект зажима (H) закрепите вторую ступень в резиновой втулке. Убедитесь, что вы хорошо натянули зажим.

Вновь смонтируйте весь блок на маске, закрутив кольцо (A) и затянув его до конца, чтобы гарантировать надежное соединение всего блока (рис. 4). Следите за тем, чтобы во время закручивания не вращался сам корпус, и проверяйте, что маленький треугольник, видимый на задней части корпуса (D), остается направленным вверх, как показано на рис. 3.2.

ПРЕДУПРЕЖДЕНИЕ

При выполнении предварительных сборочных операций всегда проверяйте, правильно ли затянута соединительная группа второй ступени и прилагаемый зажим, удерживающий саму вторую ступень.

Неправильная затяжка может быть очень опасной во время погружения и привести к несчастным случаям и травмам, вплоть до летального исхода.

В случае запотевания стекла нанесите на его внутреннюю сторону противозапотевающий состав SCUBAPRO (Н/П 24.090.000), после чего сполосните маску водой. Если маска новая, повторите эту операцию трижды.

Никогда не используйте растворители или чистящие средства, такие как спирт и т. п. При необходимости используйте только жидкое мыло.

ПРЕДУПРЕЖДЕНИЕ

Перед погружением рекомендуется надеть оборудование и полнолицевую маску на поверхности.

4.2 Погружение

Перед тем как надеть изделие FM2/MK25EVO/S620Ti, осмотрите его и проверьте, что все его детали находятся в оптимальном состоянии для погружения.

Проверьте все пряжки, зажимы, крепление второй ступени, обод и маску.

Наденьте маску и убедитесь, что она не запотевает, а вы можете продуться.

ПРЕДУПРЕЖДЕНИЕ

Запрещается погружение, если вы предварительно не проверили состояние и правильность работы оборудования и изделия FM2/MK25EVO/S620Ti.

Если вы заметили какие-либо дефекты, повреждения или постороннее вмешательство, немедленно обратитесь к специалистам авторизованного сервисного центра SCUBAPRO.

ПРЕДУПРЕЖДЕНИЕ

Не прыгайте в воду лицом вниз и избегайте падения маски на острые предметы: удар может вызвать повреждение стекла и ранение пользователя.

После предварительной проверки наденьте маску FM2/MK25EVO/S620Ti, отрегулировав пять концов ремешков, и затяните пять ремешков по отдельности, просто понемногу натягивая каждый конец, до достижения оптимальной регулировки маски на вашем лице. (Рисунок 5.1)

Для облегчения регулировки вы можете временно вынуть концы ремешков из петель.

Чтобы ослабить или снять маску, слегка приподнимите язычки пряжек, одновременно потянув за соответствующие нижние ремешки (рисунок 5.2).

ПРЕДУПРЕЖДЕНИЕ

На глубине более 2 метров (6 фт) при свободном погружении давление прижимает маску к лицу. При использовании в сертифицированной конфигурации достаточно дышать нормально, чтобы избежать проблем.

ПРЕДУПРЕЖДЕНИЕ

Чтобы избежать опасной ситуации, связанной со сдавливанием барабанной перепонки во время погружения, зажмите нос пальцами и дуйте с закрытым ртом, чтобы протолкнуть воздух внутрь стенки барабанной перепонки.

Во время остановок на поверхности вы можете воспользоваться установленным на маске клапаном забора воздуха на поверхности. Открутите резьбовую пробку (рис. 1-В), чтобы дышать атмосферным воздухом без использования воздуха из баллонов.

Перед погружением полностью закрутите пробку, чтобы маска вновь стала герметичной.

ПРЕДУПРЕЖДЕНИЕ

Перед погружением убедитесь, что клапан забора воздуха на поверхности закрыт и маска герметична, чтобы вода не попала внутрь и не залила маску.

ПРЕДУПРЕЖДЕНИЕ

SCUBAPRO рекомендует всегда иметь в наличии резервную аварийную систему: собранный регулятор с первой и второй ступенями, не подключенный к маске FM2/MK25EVO/S620Ti и т. д. SCUBAPRO также рекомендует иметь при себе запасную маску.

ПРЕДУПРЕЖДЕНИЕ

Во время погружения маску FM2 невозможно снять и снова надеть. Если вам необходимо снять маску FM2 под водой, не пытайтесь снова ее надеть. Используйте запасную маску и регуляторы и немедленно начинайте подъем.

5. УХОД ЗА ИЗДЕЛИЕМ НА ХРАНЕНИИ

Тщательно прополаскивайте маску в пресной воде после каждого погружения, особенно погружения в хлорированную воду.

ПРЕДУПРЕЖДЕНИЕ

Тщательно споласкивайте и очищайте изделие FM2/MK25EVO/S620Ti, особенно если использовали его в загрязненной воде.

5.1 Дезинфекция

Для дезинфекции SCUBAPRO рекомендует средство McNett Revivex Cleaner. Средство следует развести и применять согласно инструкции на его упаковке.

ПРЕДУПРЕЖДЕНИЕ

Не используйте растворители или чистящие средства, такие как спирт и т. д.

5.2 Хранение

Сушите маску в прохладном месте вдали от солнечных лучей, расположив ее так, чтобы стекала вода. После высыхания храните маску вдали от солнечных лучей в сухом месте при комнатной температуре.

ТЕМПЕРАТУРНЫЕ ПРЕДЕЛЫ: -10°C / 60°C

6. ОБСЛУЖИВАНИЕ

Операции, выходящие за рамки описанных в данном руководстве, должны выполняться не самим пользователем, а квалифицированным и авторизованным техническим специалистом SCUBAPRO.

Маска FM2 каждые два года должна проходить обслуживание уполномоченным техническим персоналом SCUBAPRO. Такое обслуживание является обязательным для сохранения гарантии. Для обслуживания регуляторов см. руководство по регуляторам SCUBAPRO.

Более подробно об этом - см. гарантийные обязательства Johnson Outdoors. Обслужить регуляторы можно у уполномоченных дилеров SCUBAPRO, имеющих знак, подтверждающий их статус SELECTED DEALER SCUBAPRO. Координаты таких дилеров доступны на сайте www.scubapro.com

1. 重要警告

⚠ 警告

在使用产品之前，必须通读并完全理解本手册。建议您在产品整个使用寿命期间始终保留本手册。

⚠ 警告

在潜水过程中，您必须遵循规定，并应用认可水肺潜水认证机构教授您的技能。在参加任何潜水活动之前，必须成功完成水肺潜水课程，课程内容包括佩戴全脸式面镜潜水的理论和技术方面。

⚠ 警告

本说明手册无法代替潜水指导课程。

⚠ 警告

有关 MK25EVO/S620Ti 调节器的功能、使用、保养和维护的详细信息，请参阅 SCUBAPRO 调节器手册。

2. 欧洲认证

FM2 面镜和 MK25EVO/S620Ti 调节器共同构成 FM2/MK25EVO/S620Ti 全脸式面镜。

SCUBAPRO FM2/MK25EVO/S620Ti 全脸式面镜已根据投放市场相关条件和第三类个人防护设备 (PPE) 基本安全要求的欧洲管制规定获得欧洲认证。该认证由 RINA 通告机构签发，并使用仅本手册中所有的 SCUBAPRO 调节器型号。

认证测试均根据 EN250:2014 协调标准进行，确保符合欧洲法规 2016/425/EU 设定的健康与安全基本要求。

产品上的 CE 和 EN250 标示即表示符合上述要求。

号码 0474 是公告机构 RINA Via Corsica, 12, 16128 Genova (GE) Italy 的识别码，该机构负责依照 2016/425/EU 法规模块 B 和 D 评价合规性和控制生产合规问题。一级头上232巴和300巴的标记表示个人防护装备 (PPE) 的最大供应压力。

SCUBAPRO FM2/MK25EVO/S620Ti 的制造商为 SCUBAPRO EUROPE s.r.l.，地址为 Via Tangoni 16, 16030 Casarza Ligure (GE) Italy。SCUBAPRO EUROPE s.r.l. 拥有 RINA 根据 ISO9001:2015 标准予以认证的质量管理体系。

2.1 EN 250:2014 标准 - 含义和要求

EN 250:2014 标准规定的要求和测试旨在保证水下呼吸装置操作的最低安全水平。在欧洲，EN 250:2014 标准规定了 SCUBA 装备必须遵守的最低技术要求，是 EN250 标准的最新修订版。

2.2 EN250:2014 规定的限制条件

Scuba 单元可由单独的部件组成，比如：(多个) 气瓶、(多个) 调节器、压力表和面镜。

SCUBA 单元的使用仅限于水下潜水。

FM2/MK25EVO/S620Ti 全脸式面镜由一个面镜和一个调节器组成，因此是一种个人防护设备 (PPE)，可保护眼睛不与水接触，保护呼吸道不受压力影响，并在潜水期间的必要使用条件下提供可呼吸的空气。

FM2/MK25EVO/S620Ti 可与符合 EU 2016/425 法规和 EN 250:2014 规范认证的 SCUBA 组件一起使用。气瓶所含气体必须符合 EN 12021 规范所定义的可呼吸气体的要求。认证深度为 50 米 (164英尺)。在任何情况下，潜水员必须始终遵守当地法规在潜水地点规定的限制。

重要事项

FM2/MK25EVO/S620Ti 个人防护设备的欧洲认证是指由以下部分组成的完整产品：

- 1) SCUBAPRO FM2 面镜。
- 2) S620Ti 二级头：正面安装在 FM2 面镜上，并与单个 MK25EVO 一级头相连。

⚠ 警告

根据 EN250:2014 标准，FM2 面镜只能与本手册中指定型号的调节器配合使用，并已对这些调节器进行了欧洲认证测试。

若与其他调节器一起使用 FM2，则不在认证范围之内。

⚠ 警告

对 FM2/MK25EVO/S620Ti 配置的任何更改，如果不包括在本手册所述的经认证的欧洲配置中，例如调节器随附的低压软管，都会导致其不符合欧洲认证标准。

最大工作压力取决于所用 MK25 EVO/S620Ti 调节器的连接：根据一级头上的标记，DIN 接口为 300 巴，INT 接口为 232 巴。

有关调节器的更多技术细节和信息，请参阅 SCUBAPRO 调节器手册。

FM2/MK25EVO/S620Ti 经认证可在冷水中使用，即温度低于 10°C (50°F)。

2.2.1 备用二级头（紧急辅助呼吸装置）

备用二级头通常被视为供潜水员在需要时（如主二级头出现故障）使用的紧急辅助二级头。

警告

只有符合 EN250:2014 标准，且调节器上标有“EN250A”或“EN250A>10°C”的 SCUBA 装备可供一名以上的潜水员同时使用。

警告

如果将 SCUBA 装备配置为供多人同时使用，若标记了“EN250A”，则不应在深于 30 米、水温低于 4°C 的环境中使用；若标记了“EN250A>10°C”，则不应在水温低于 10°C 的环境中使用。

MK25EVO/S620Ti 调节器上的一级头和二级头上都有 EN250A 标记。FM2 面镜标有 EN250。

2.3 重要提示

为了保护您的安全，在使用 SCUBAPRO 生命支持设备时，请您注意以下几点：

1. 使用设备时遵循本手册所含说明，并确保您在使用前已通读并充分理解所有说明和警告。
2. 设备使用仅限本手册所描述用途或者经 SCUBAPRO 书面批准的应用。
3. 气瓶必须根据 EN 12021 标准，仅充入大气压缩空气。如果气瓶内部潮湿，可导致气瓶腐蚀、结冻以及后续在低温条件下（10°C/50°F 以下）潜水时调节器的功能失常。气瓶的运输必须遵循针对危险品运输的本地规定。气瓶的使用需遵循气体和压缩气体使用相关法律。
4. 设备必须由 SCUBAPRO 授权的技术人员按照规定的频率进行检修。必须对检修进行记录。在维修和保养期间，只能使用 SCUBAPRO 备件。
5. 如果设备维修与修理未遵循 SCUBAPRO 批准的程序，或者由未经培训的人员进行或未经 SCUBAPRO 认证，或者其使用方法和目的不符合专门规定，则设备的正确和安全功能的责任转移至所有者/用户。
6. 应保持持续呼吸，不要憋气。
7. 所有潜水的计划和执行都必须确保潜水员在潜水结束时，仍有用于紧急用途的足够的合理气体存量。建议的量通常为 50 bar (725 psi)。
8. 如果在冷水（温度低于 10°C (50°F)）中使用 SCUBA 水肺潜水设备，则必须使用适合该温度的调节器。

警告

在冷水中潜水需要特殊的设备和技术。在冷水中潜水之前，我们强烈建议您从认可的培训机构接受足够的培训。

9. 本手册的内容是基于印刷之时可用的最新信息。SCUBAPRO 保留随时做出变更的权利。

SCUBAPRO 对由于不遵循本手册说明而导致的损害概不负责。这些说明的内容不构成质保或 SCUBAPRO 销售与交付条件中所声明责任的延申。

为了保留质保，需由合格的 SCUBAPRO 技术人员进行保养，且应保留保养记录。更多详情请联系授权 SCUBAPRO 代理商。

3. 一般特性

警告

只有 MK25EVO/S620Ti 调节器组合经认证可在 FM2 面镜上装配和使用。

通过 FM2 认证的唯一 MK25EVO/S620Ti 配置是配备 SCUBAPRO 标准 75 厘米软管的配置，不带附件旋转接头或弯头。

水面停留时的进气阀（图 1-B）可以通过打开阀门来避免潜水气体供气消耗：只需关闭水面停留时的进气阀，即可从二级头开始呼吸并开始潜水。

FM2 面镜的下巴下方有一个排水阀，可极其有效地自然排水。原装认证配置配有排气阀保护管（图 1-C）。

在潜水过程中，由于气源的相对位置在一定条件下会产生静水压力差，该管道可在潜水过程中防止二级头不断漏气。

警告

拆除排水阀保护管会导致认证配置发生变化，并意味着不符合欧洲认证标准。

FM2 面镜有用于装配附件的接口，包括 SCUBAPRO HUD 潜水电脑（用于装配附件的套件可单独购买）。有关功能和使用的详细信息，请参阅“使用”部分。

4. 使用

4.1 潜水准备 – 使用前的重要警告

在面镜的前部，可找到用于容纳二级头的接口。

连接二级头所需的部件组已在此连接处组装完毕（图 1 和图 2）。

该组部件拧在主体 (D) 上，由圆环 (A)、垫圈 (E)、隔圈 (G) 和橡胶套筒 (F) 组成。

组装二级头的步骤如下。

打开固定咬嘴的带子后，从二级头上取下咬嘴。

完全拧下圆环 (A)，将圆环 (A)、隔圈 (G) 和套筒 (F) 这三个部件预先组装好，如图 3.1 所示，同时将垫圈 (E) 固定在主体 (D) 上。

确保垫圈 (E) 安装到位，使两根密封胶条朝向裙边橡胶（放大图 2.1）。

将二级头插入橡胶套筒 (F)。

然后用随附的带子 (H) 将二级头固定在包裹二级头的橡胶套筒中，确保充分拧紧。

将整个装置装回到面镜上，完全拧紧圆环 (A)，确保整个组件的安全连接（图 4），确保拧紧时主体不会旋转，检查主体背面可见的小三角形 (D) 是否始终朝上，如图 3.2 所示。

警告

在进行初步组装操作时，请务必检查是否已正确拧紧二级头连接组和随附的二级头固定带。
不拧紧或不正确的拧紧在潜水过程中可能非常危险，会造成事故和伤害，甚至有致命风险。

若镜片开始有雾，在镜片里面用 SCUBAPRO 防雾剂 (P/N 24.090.000)，然后用水彻底清洗（若是新面镜，请将此程序重复三次）。

切勿使用酒精等溶剂或清洁剂。如有需要，请仅使用液体肥皂。

警告

建议在潜水前在水面上穿戴好装备和全脸式面镜。

4.2 潜水

在佩戴 FM2/MK25EVO/S620Ti 之前，请仔细检查，确保所有部件都处于最佳状态，可以进行潜水。

检查所有搭扣、带子、二级头附件、框架和面镜。

戴上面镜，检查是否起雾以及是否能做耳压平衡。

警告

潜水之前，请务必首先检查设备和 FM2/MK25EVO/S620Ti 的良好状态和正确功能。
如果发现任何缺陷、损坏或篡改，请立即联系 SCUBAPRO 授权的维修技术人员。

警告

请勿面朝下跳入水中或将面镜跌落在任何尖锐物体上；高冲击力会导致镜片破裂，对使用者造成伤害。

完成初步检查后，戴上 FM2/MK25EVO/S620Ti 面镜，调节五根带子的末端，然后分别拉紧五根带子的末端，直至面镜在脸上实现最佳贴合度。（图 5.1）

为了便于调整，您可以暂时将带子的两端从环上取下。

要松开或取下面镜，请轻轻抬起搭扣，同时拉动相应的下方带子（图 5.2）。

警告

自由潜水过程中，水深超过 2 米（6 英尺）时，压力会将面镜推向脸部。
在使用经认证的配置时，正常呼吸即可避免问题。

警告

为了避免在潜水时出现耳膜破裂的危险情况，可以用手指捏住鼻子，闭上嘴轻轻吹气，将空气推入耳膜壁内侧。

在水面停留时，您可以拧开面镜上的螺纹塞（图 1-B），使用面镜上提供的水面进气阀呼吸空气，而无需使用气瓶中的气体。

潜水前，将塞子完全旋回，重新密封面镜。

警告

潜水前，确保关闭水面使用的进气阀并密封面镜，以防止水进入面镜并淹没面镜。

警告

SCUBAPRO 建议始终备有备用救助系统：一级头和二级头未连接至 FM2/MK25EVO/S620Ti 面镜的整个调节器等。

SCUBAPRO 还建议您随身携带备用面镜。

警告

潜水时无法取下 FM2 并重新戴上。若有必要在水下移除 FM2，请勿将其戴回。使用备用面镜和调节器，并立即开始上升。

5. 闲置时的护理

每次潜水后用清水彻底冲洗面镜，尤其是在氯化水中潜水时。

警告

尤其注意，若 FM2/MK25EVO/S620Ti 在受污染的水中使用过，请务必彻底冲洗和清洁。

5.1 消毒

SCUBAPRO 建议使用 McNett Revivex 清洁剂。根据产品包装上所述的程序和稀释度使用。

警告

请勿使用酒精等溶剂或清洁剂。

5.2 存储

放在阴凉处晾干，避免阳光直射，晾干时要注意排水。

晾干后，将面镜存放在室温干燥处，避免阳光直射。

温度限制 -10°C / 60°C

6. 保养

超出本手册所述范围的操作不得由用户执行，而应由 SCUBAPRO 授权的合格技术人员执行。

FM2 面镜必须每两年由 SCUBAPRO 授权的技术人员进行一次维修。为了确保享受质保，必须定期进行检修。有关调节器的维护，请参阅 SCUBAPRO 调节器手册。

请参考 Johnson Outdoors 质保条件。SCUBAPRO 授权经销商提供维修服务，授权经销商具备 SELECTED DEALER SCUBAPRO (SCUBAPRO 经销商) 标志，您也可以通过登录下列网站获取授权经销商列表：www.scubapro.com。

1. 重要な警告

⚠ 警告

本製品を使用する前に、本書をすべて読み、理解を深める必要があります。本製品をお使いの間、本書は必ず保管しておくことをお勧めします。

⚠ 警告

ダイビング中はルールを守り、スキューバダイビング認定団体で学んだスキルを活用してください。ダイビングアクティビティに関わるためには、フルフェイスマスクでのダイビングについて論理面と技術面の両方をカバーするスキューバダイビングコースを修了することが必須となります。

⚠ 警告

本書は、ダイビングコースに代わるものではありません。

⚠ 警告

MK25EVO/S620Tiレギュレーターの機能、使用、ケア、メンテナンスの詳細については、スキューバプロレギュレーターのマニュアルを参照してください。

2. 欧州認証

FM2フェイスピースとMK25EVO/S620Tiレギュレーターは、FM2/MK25EVO/S620Tiフルフェイスマスクを構成します。スキューバプロのFM2/MK25EVO/S620Tiフルフェイスマスクは、第3カテゴリの個人用保護具(PPE)の上市条件および基本的な安全要件を規制する欧州の規則に従って欧州認証を取得しています。この認証は、本書に含まれるスキューバプロレギュレーターモデルのみを使用して、認証機関RINAによって発行されました。

整合規格EN250:2014に従って認証試験が実施され、欧州規則2016/425/EUに定められた健康および安全性の基本要件に準拠していることが確認されています。

製品のCEマークおよびEN250マークは、上記要件への準拠を示すものです。

番号0474は、2016/425/EUのモジュールBおよびDの基準に従って適合状況を評価し、製造を統制している認定機関、RINA Via Corsica, 12, 16128 Genova (GE) Italyの識別コードです。ファーストステージの232barと300barのマークは、PPEの最大供給圧力を示します。

スキューバプロFM2/MK25EVO/S620Tiの製造者は SCUBAPRO EUROPE s.r.l, Via Tangoni 16, 16030 Casarza Ligure (GE) Italyです。SCUBAPRO EUROPE s.r.lは、ISO9001:2015規格に従ってRINAの認定を受けた品質管理システムを使用しています。

2.1 EN 250:2014規格 - 意味と要求事項

EN 250:2014規格に定義されている要件と試験は、水中呼吸装置の動作に関する最低限の安全レベルを確保することを目的としています。欧州では、EN250:2014規格により、スキューバが準拠しなければならない最低限の技術要件が定義されており、EN250規格の最新の改訂版となります。

2.2 EN250:2014による制限事項

本スキューバユニットは、タンク、レギュレーター、圧力計、フェイスピースなどの各コンポーネントで構成されています。スキューバユニットの用途は、水中ダイビングでの使用に限定されます。

FM2/MK25EVO/S620Tiフルフェイスマスクは、レギュレーターと一体化したフェイスピースで構成されているため、水との接触から目を保護し、圧力の影響を受ける呼吸器を保護するPPEです。ダイビング中に必要な使用条件下で、呼吸可能なエアを供給します。

FM2/MK25EVO/S620Tiは、EU 2016/425規制およびEN 250:2014規格に基づいて認定されたスキューバコンポーネントユニットで使用できます。タンクに含まれるエアは、EN 12021規格に規定されている呼吸可能なエアの要件を満たしている必要があります。認証水深は50メートル(164フィート)です。どのような状況でも、ダイバーはダイビングを行う場所の現地法規制で定められた制限を常に守らなければなりません。

重要

PPE FM2/MK25EVO/S620Tiの欧州認証は、以下の部品で構成される完全な製品に対するものです：

- 1) スキューバプロFM2フェイスピース。
- 2) FM2フェイスピースの正面に取り付けられ、単一のMK25EVOファーストステージに接続したS620Tiセカンドステージ。

⚠ 警告

FM2フェイスピースは、本書に指定されたレギュレーターモデルでのみ認定されており、EN250:2014規格に準拠した欧州認証試験が実施されています。
他のレギュレーターでFM2を使用するのは認定の範囲外です。

⚠ 警告

FM2/MK25EVO/S620Tiの構成に、本書に記載されている欧州で認証された構成に含まれない変更を加えると（レギュレーターに付属の中圧ホースなど）、欧州認証規格への適合性が失われます。

最高動作圧力は、使用するMK25 EVO/S620Tiレギュレーターの接続によって異なります：DIN接続の場合は300 bar、INT接続の場合は232 barです（ファーストステージのマーキングに従う）。

レギュレーターに関する技術的な詳細や情報については、スキューバプロレギュレーターのマニュアルを参照してください。

FM2/MK25EVO/S620Tiは冷水（10°C（50°F）以下の水温）での使用が認証されています。

2.2.1 オクトパス（緊急補助呼吸装置）

オクトパスは通常、緊急時の補助セカンドステージとみなされ、ダイバーが必要に応じて使用します（メインのセカンドステージが故障した場合など）。

⚠ 警告

同時に複数のダイバーがレスキュー装置として使用できるのは、EN250:2014規格を遵守し、「EN250A」または「EN250A>10°C」のマークが付くスクーバのみです。

⚠ 警告

同時に複数のダイバーが使用するようにスクーバを設定し、実際にそのように使用する場合、30メートル以深の場所や、水温4°C以下（「EN250A」マークの場合）または10°C以下（「EN250A>10°C」マークの場合）の環境では使用しないでください。

EN250Aマーキングは、MK25EVO/S620Tiレギュレーターのファーストステージとセカンドステージに記されています。FM2フェイスピースにはEN250のマークが付いています。

2.3 重要な注意事項

スキューバプロのライフサポート機器の使用中に自分を保護するために、以下についてご注意ください。

1. 本機器は、本書に記述された指示の通りに、すべての指示と警告を読んで理解したうえで使用してください。
2. 本機器の使用範囲は、本書に記述された用途またはスキューバプロが文面で承認した用途に限定されます。
3. タンクには、EN 12021規格に準拠した大気圧の圧縮エアのみを充填するものとします。タンク内に水分があると、タンクの腐食の原因となるだけでなく、低温環境（10°C（50°F）未満）で実施するダイビング中にレギュレーターの凍結および誤作動の原因となる可能性があります。タンクは、危険物の持ち運びに関する現地法規制に従って運ぶ必要があります。タンクの使用は、ガスおよび圧縮エアの使用を規制する法律に従います。
4. 装置は、スキューバプロの認定技術者が所定の頻度でオーバーホールしなければなりません。オーバーホールは記録を残す必要があります。修理や保守にあたっては、スキューバプロ純正の交換部品を使用する必要があります。
5. スキューバプロが承認した手順に従わずに保守や修理を実施する場合、あるいは研修を受けていない人員やスキューバプロの認定を受けていない人員が保守や修理を実施する場合、もしくは規定された方法や目的以外で機器を使用する場合、機器の正常かつ安全な機能についての責任が持ち主/ユーザーに移行します。
6. 呼吸は止めることなく続ける必要があります。
7. すべてのダイビングは、ダイビングが終了した後も緊急用に十分なエアが残っているように計画・実施する必要があります。通常、50 bar（725 psi）程度の残量が推奨されます。
8. 機器を低温環境（10°C（50°F）未満）で使用する場合、このような温度に適したレギュレーターの使用が必須となります。

⚠ 警告

冷水でのダイビングには、特別な装置と技術が要求されます。冷水環境でダイビングをするときは、あらかじめ認定トレーニング団体の適切なトレーニングを受けてください。

9. 本書の内容は、印刷開始時点での最新情報に基づいています。スキューバプロは、いつでも内容を変更する権利を有します。

スキューバプロは、本書の指示に従わない使用に起因する損傷について一切の責任を負わないものとします。これらの指示は、スキューバプロの販売および提供条件に記載された保証または責任を拡張するものではありません。

保証を維持するためには、有資格のスキューバプロ技術者によってメンテナンスが行われ、メンテナンス記録が保管されている必要があります。詳しくは、スキューバプロ正規代理店までお問い合わせください。

3. 一般特性

⚠ 警告

FM2フェイスピースに装着して使用することが認証されているのは、MK25EVO/S620Tiレギュレーターの組み合わせのみです。

FM2認証されているK25EVO/S620Tiの構成は、スイベルやエルボが付属しないスキューバプロ標準の75cmホースを使用するもののみです。

水面上にいる間は、吸気バルブ(図1-B)を開けることにより、ダイビングに必要な空気の消費を防ぐことができます。水面上でセカンドステージから呼吸を始め、ダイビングを開始するには、吸気バルブを閉めるだけです。

FM2フェイスピースには、あごの下に水抜きバルブがあり、効果的に自然な水抜きができます。オリジナルの認定構成は、水抜きバルブ保護チューブ(図1-C)が装備されています。

このパイプにより、ある条件下で空気源の相対的な位置によって発生する静水圧の差によって引き起こされる、ダイビング中のセカンドステージからのフリーフローが防止されます。

⚠ 警告

水抜きバルブの保護パイプを取り外すと、認証された構成を変更することになり、欧州認証規格への適合性が失われます。

FM2フェイスピースには、スキューバプロのHUDダイブコンピューターを含むアクセサリーを組み付けるための接続部があります(アクセサリーを組み付けるためのキットは別売りです)。

機能および使用の詳細については、「使用」セクションを参照してください。

4. 使用

4.1 ダイビングの準備 - 使用前の重要な警告

マスクの正面には、セカンドステージを収納するために作られた接続部があります。

セカンドステージを接続するために必要な部品グループは、この接続部にすでに組み付けられています(図1、2)。

本体にねじで取り付けられるこの部分は(D)、リング(A)、ワッシャー(E)、スペーサー(G)、ラバースリーブ(F)で構成されています。

セカンドステージを組み立てるには、次の手順に従います。

マウスピースを固定しているストラップを開け、セカンドステージからマウスピースを外します。

図3.1のように、リング(A)、スペーサー(G)、スリーブ(F)の3つの部品が組み立てられたまま、なおかつワッシャー(E)が本体(D)の所定の位置に残っている状態で、リング(A)のネジを完全に緩めます。

ワッシャー(E)の2つのシールリブがスカートのゴムの方を向くように組み立てられていることを確認してください(拡大図2.1)。

セカンドステージをラバースリーブ(F)の内側に挿入します。

次に、付属のストラップ(H)を使用して、セカンドステージを挿入したラバースリーブにセカンドステージを固定し、十分に締め付けます。

リング(A)を回し入れ、全体が安全に接続されるように締め付けます(図4)。その際は本体が回転しないように注意し、図3.2のように、本体裏面の小さな三角形(D)が上を向いたままであることを確認してください。

⚠ 警告

事前の組み立て作業を行う際は、セカンドステージの接続部とセカンドステージ本体を固定する付属のストラップが正しく締め付けられていることを必ず確認してください。

締め付けに不備や不足があると、ダイビング中に非常に危険な状況になります。事故や負傷の原因となり、命にかかわることさえあります。

レンズが曇るようになったら、スキューバプロの曇り止め剤(P/N 24.090.000)を内側につけてからマスクを水で洗い流します(マスクが新品の場合、この手順を3回繰り返します)。

アルコールなどの溶剤やクリーナーは絶対に使用しないでください。必要に応じて、液体石鹸のみを使用してください。

警告

ダイビングを開始する前に、水面で器材とフルフェイスマスクを装着することをお勧めします。

4.2 ダイビング

FM2/MK25EVO/S620Tiを装着する前に、すべてのパーツがダイビングに最適な状態であることを確認してください。

すべてのバックル、ストラップ、セカンドステージアタッチメント、フレーム、フェイスピースをチェックします。マスクを装着し、曇りがないか、耳抜きができるかを確認します。

警告

器材とFM2/MK25EVO/S620Tiの状態が正常で、正しく機能することを必ず確認してからダイビングしてください。欠陥、損傷、改ざんなどにお気づきの場合は、直ちにスキューバプロ認定サービス技術者にご連絡ください。

警告

顔から水に飛び込んだり、尖ったものの上にマスクを落としたりしないでください。強い衝撃を与えると、レンズが破損し、使用者が負傷する危険があります。

事前チェックを実行したら、FM2/MK25EVO/S620Tiを装着します。それには、5本のストラップの端部を調整し、5本のストラップの端部をそれぞれ少しずつ引っ張りながら、マスクが顔に最適にフィットするまで締め付けます。(図5.1)

ストラップの端をループから一時的に外すと、調整が容易になります。

マスクを緩めたり外したりするには、対応する下部ストラップを引っ張りながらバックルタブを少し持ち上げます(図5.2)。

警告

水深2メートル(6フィート)を超えるフリーダイビングでは、水圧力でマスクが顔に押し付けられます。認証された構成で使用する場合は、通常どおりに呼吸するだけで問題を回避できます。

警告

ダイビング中に鼓膜が破れる危険な状態を回避するには、指で鼻をつまみ、口を閉じて息を吐き、鼓膜壁の内側に空気を送り込んでください。

水面休息中は、マスクに装備されている吸気バルブ(図1-B)のネジプラグを緩めて、タンクからのエアを使わずに空気を呼吸することができます。

ダイビングの前に、プラグを完全に締め直し、マスクを再び密閉してください。

警告

ダイビングを開始する前に、水面用の吸気バルブが閉じていること、マスクが密閉されていることを確認し、水の浸入や浸水を防いでください。

警告

スキューバプロでは、常にバックアップ用のベイルアウトシステムを用意しておくことを推奨しています。これは、ファーストステージとセカンドステージがFM2/MK25EVO/S620Tiマスクに接続されていないレギュレーター一式などです。

また、予備のマスクを携帯することも推奨しています。

警告

ダイビング中にFM2を外して装着し直すことはできません。FM2を水中で取り外す必要がある場合は、再び装着しないでください。予備のマスクとレギュレーターを使い、ただちに浮上を開始してください。

5. 未使用時のお手入れ

ダイビング後は必ず真水でマスクを洗い流してください。特に、塩素処理水でのダイビング後はこれを徹底してください。

⚠ 警告

FM2/MK25EVO/S620Tiを汚染水の中で使用した場合は特に、必ず十分にすすいで洗浄してください。

5.1 消毒

McNett Revivex Cleanerの使用をお勧めします。パッケージに記載された手順に従い、希釈して使用してください。

⚠ 警告

アルコールなどの溶剤や洗剤は使用しないでください。

5.2 保管

直射日光の当たらない涼しい場所で、水分が切れるように置きながら乾燥させます。

乾燥したマスクは直射日光を避け、乾燥した場所で室温で保管します。

温度限界 -10°C / 60°C

6. メンテナンス

本書に説明のない操作をユーザーが行わないでください。有資格のスキューバプロ認定技術者が行う必要があります。

FM2フェイスピースは、2年ごとにスキューバプロの認定技術者による点検を受ける必要があります。オーバーホールは保証維持のために必須です。レギュレーター関連のメンテナンスについては、スキューバプロレギュレーターのマニュアルを参照してください。

Johnson Outdoorsの保証条件をご覧ください。メンテナンスは、「SELECTED DEALER SCUBAPRO」サインを掲げたスキューバプロ公認ディーラーを通じてお申し込みいただくか、www.scubapro.comにアクセスしてください。

1. 중요 경고사항

⚠ 경고

해당 제품을 사용하기 전에 본 사용설명서를 숙지하고 그 전체 내용을 이해하고 있어야 합니다. 제품 사용 기간 동안 본 사용설명서를 보관하는 것을 권장합니다.

⚠ 경고

다이빙을 하는 동안에는 규칙을 준수해야 하고 공인 스쿠버다이빙 인증기관에서 교육을 받은 기술을 적용해야 합니다. 모든 다이빙 활동에 참여하기 이전에, 풀페이스 마스크를 착용하고 다이빙의 이론적, 기술적 측면을 다루는 스쿠버다이빙 코스를 성공적으로 이수해야 합니다.

⚠ 경고

본 사용설명서는 다이빙 코스의 지침을 대체하지 않습니다.

⚠ 경고

MK25EVO/S620Ti 레귤레이터의 기능, 사용, 관리 및 유지보수에 대한 자세한 내용은 SCUBAPRO 레귤레이터 매뉴얼을 참조하세요.

2. 유럽 인증

FM2 페이스피스와 MK25EVO/S620Ti 레귤레이터가 함께 FM2/MK25EVO/S620Ti 풀페이스 마스크로 구성됩니다.

SCUBAPRO FM2/MK25EVO/S620Ti 풀페이스 마스크는 시판 조건과 개인용 보호장구(PPE) 제3의 범주의 근본적인 안전요건을 규제하는 유럽의 규정에 따라 유럽 인증을 획득했습니다. 이 인증은 RINA 인증 기관에서 발급한 것으로, 이 매뉴얼에 포함된 유일한 SCUBAPRO 레귤레이터 모델을 사용했습니다.

인증시험은 유럽 규정 2016/425/EU에서 정한 보건안전의 기본 요건을 준수하기 위해 EN250:2014 국제표준에 따라 수행되었습니다.

제품에 표시된 CE와 EN250 마크는 해당 요건을 준수함을 나타냅니다.

기입된 숫자 0474는 2016/425/EU의 모듈 D 및 D에 따른 제품의 규정 준수 여부를 평가하고 생산을 통제하는 인증기관인 RINA(주소: Via Corsica, 12, 16128 Genova (GE) Ital)의 식별 번호입니다. 첫 번째 단계의 232bar 및 300bar 표시는 PPE의 최대 공급 압력을 나타냅니다.

SCUBAPRO FM2/MK25EVO/S620Ti의 제조업체는 SCUBAPRO EUROPE s.r.l.(주소: Via Tangoni 16, 16030 Casarza Ligure (GE) Italy)입니다. SCUBAPRO EUROPE s.r.l.는 ISO9001:2015 표준에 의거하여 RINA의 인증을 받은 품질관리시스템을 갖추고 있습니다.

2.1 EN 250:2014 표준 - 의미 및 요구 사항

EN 250: 2014 표준에 정의된 요건과 시험은 수중호흡장비의 작동에 대한 최소 수준의 안전을 확보하는 것을 목적으로 하고 있습니다. 유럽에서 EN 250:2014 표준은 스쿠버가 준수해야 하는 최소한의 기술적 요구 사항을 정의하며, 가장 최근에 개정된 EN250 표준입니다.

2.2 EN250: 2014가 제공하는 제한 사항

SCUBA 유닛은 실린더, 레귤레이터, 압력계이지, 페이스피스와 같은 별도의 부속품으로도 구성될 수 있습니다. SCUBA 유닛의 사용은 수중 다이빙으로 제한됩니다.

FM2/MK25EVO/S620Ti 풀페이스 마스크는 레귤레이터와 통합된 페이스피스로 구성되어 있어 다이빙 중 필요한 사용 조건에서 호흡 가능한 공기를 공급하여 물과의 접촉으로부터 눈과 압력의 영향을 받는 호흡기를 보호하는 PPE입니다.

FM2/MK25EVO/S620Ti는 규정 EU 2016/425 및 EN 250:2014 표준에 의해 인증된 SCUBA 부속품 유닛과 함께 사용될 수 있습니다. 실린더에 갇혀진 공기는 표준 EN 12021이 규정한 호흡용 공기 세트의 요건을 준수해야 합니다. 인증 수심은 50m(164피트)입니다. 모든 경우에 있어서 다이빙은 다이빙 장소에 대해 현지 법규가 설정한 한계를 준수해야 합니다.

중요사항

FM2/MK25EVO/S620Ti PPE의 유럽 인증은 다음과 같이 구성된 전체 제품을 의미합니다.

- 1) 스쿠바프로 FM2 페이스피스.
- 2) FM2 페이스피스에 전편 조립되어 하나의 MK25EVO 첫 번째 스테이지에 연결된 S620Ti 두 번째 스테이지.

⚠ 경고

FM2 페이스피스는 EN250:2014 표준에 따라 유럽 인증 시험이 수행된 본 설명서에 명시된 레귤레이터 모델에 대해서만 인증을 받았습니다.
다른 레귤레이터와 함께 FM2를 사용하는 것은 인증 범위를 벗어납니다.

⚠ 경고

레귤레이터와 함께 제공되는 저압 호스 등 본 설명서에 설명된 유럽 인증 구성에 포함되지 않은 FM2/MK25EVO/S620Ti 구성을 변경할 경우 유럽 인증 표준에 대한 적합성을 잃게 됩니다.

최대 작동 압력은 사용된 MK25 EVO/S620Ti 레귤레이터의 연결에 따라 다릅니다. 첫 번째 단계의 표시에 따라 DIN 연결의 경우 300bar, INT 연결의 경우 232bar입니다.

레귤레이터에 대한 자세한 기술 세부 사항과 정보는 SCUBAPRO 레귤레이터 매뉴얼을 참조하세요.

FM2/MK25EVO/S620Ti는 냉수, 즉 10°C(50°F) 이하의 온도에서 사용하도록 인증되었습니다.

2.2.1 옥토퍼스(예비용 비상호흡장치)

옥토퍼스는 일반적으로 다이버가 필요 시(일차적 두 번째 스테이지 유닛에서 오작동이 발생하는 경우)에 사용하는 비상 예비용 두 번째 스테이지 유닛으로 간주됩니다.

⚠ 경고

"EN250A"나 "EN250A>10°C"가 표시된 EN250:2014 표준을 준수하는 SCUBA 제품만이 동시에 두 명 이상의 다이버에 의해 구조 장비로 사용될 수 있습니다.

⚠ 경고

SCUBA 제품이 두 명 이상의 다이버가 동시에 사용하도록 구성된 경우에는 해당 제품은 수심 30미터 이상에서 사용되지 않아야 하며, "EN250A"가 표시된 경우에는 온도 4°C 미만에서, 또는 "EN250A>10°C"가 표시된 경우에는 온도 10°C 미만에서 사용되지 않아야 합니다.

EN250A 마크는 MK25EVO/S620Ti 레귤레이터의 첫 번째 및 두 번째 스테이지에서 확인할 수 있습니다. FM2 페이스피스는 EN250으로 표시되어 있습니다.

2.3 중요 참고 사항

SCUBAPRO 생명유지장비를 사용하는 동안에 보호를 받기 위해서 다음의 사항에 주의를 기울여 주십시오.

1. 본 사용설명서에 포함된 지침에 따라 장비를 사용해야 하며, 모든 지침과 경고사항을 숙지하고 이해한 후에만 장비를 사용해야 합니다.
2. 장비의 사용은 본 사용설명서나 기술된 용도나 SCUBAPRO가 서면으로 승인한 응용으로만 제한됩니다.
3. 실린더는 EN 12021 표준에 따라 대기압 공기로만 채워져야 합니다. 실린더에 습기가 존재하는 경우에, 실린더의 부식을 유발할 뿐만 아니라, 저온 조건(10°C (50°F) 미만)에서 수행되는 다이빙 동안에 동결 및 이에 따른 레귤레이터의 오작동을 유발할 수 있습니다. 실린더는 위험물 수송/운반에 대해서 규정한 현지 법규에 따라 수송/운반되어야 합니다. 실린더 사용은 가스 및 압축공기의 사용을 규제하는 법률의 적용 대상입니다.
4. 장비는 반드시 공인 SCUBAPRO 기술자가 정해진 주기로 점검을 받아야 합니다.
장비의 내용은 문서화되어야 합니다. 수리나 정비를 수행할 때에는 SCUBAPRO 교체용 순정부품만이 사용되어야 합니다.
5. 본 장비가 SCUBAPRO가 승인한 절차를 준수하지 않거나 무자격자나 SCUBAPRO가 인증하지 않은 자에 의해 정비/수리되는 경우나, 또는 구체적으로 지정된 방식이나 목적 이외로 사용되는 경우에는 본 장비의 정확하고 안전한 기능에 대한 책임은 장비의 소유자/사용자로 이전됩니다.
6. 호흡은 숨을 참지 않고 계속되어야 합니다.
7. 모든 다이빙은 다이버에게 비상용으로 할리적인 수준으로 예비적인 공기가 여전히 남아 있도록 미리 계획되어서 수행되어야 합니다. 권장되는 예비적인 공기의 양은 일반적으로 50bar(725psi)입니다.
8. SCUBA 장비가 저온 냉수(10°C (50°F) 미만의 온도)에서 사용되는 경우, 이러한 온도에 적합한 레귤레이터를 사용해야만 합니다.

⚠ 경고

저온 냉수 다이빙에는 특수장비와 기법이 요구됩니다. 저온 냉수에서 다이빙을 하기 전에, 다이버는 인정된 교육기관에서 적절한 훈련을 받는 것이 강력하게 권고됩니다.

9. 본 사용설명서의 내용은 인쇄될 당시에 이용 가능한 최신 정보에 기반하고 있습니다. SCUBAPRO는 그 내용을 언제든지 변경할 수 있는 권리를 보유하고 있습니다.

SCUBAPRO는 본 사용설명서에 포함된 지침의 미준수로 인해 발생하는 손상에 대한 모든 책임을 거부합니다. 이러한 지침들은 SCUBAPRO의 판매/배송의 약관에서 규정한 보증이나 책임을 확대시키지는 않습니다. 제품보증을 유지하기 위해서는 유지·보수는 SCUBAPRO 공인기술자에 의해 수행되어야 하고 유지·보수의 기록이 보관되어야 합니다. 이와 관련된 자세한 사항은 SCUBAPRO 공인 대리점에 연락해 주십시오.

3. 일반적 특징

경고

MK25EVO/S620Ti 레귤레이터 조합만 FM2 페이스피스에서 조립 및 사용하도록 인준되었습니다. FM2 인증을 받은 MK25EVO/S620Ti는 액세서리 스윙블이나 엘보가 없는 SCUBAPRO 표준 75cm 호스가 장착된 구성만 해당됩니다.

수면에서 일정 시간 동안 공기 흡입 밸브(그림 1-B)를 열면 다이빙에 유용한 공기 공급 소비를 피할 수 있습니다. 수면 시간 동안 공기 흡입 밸브를 닫으면 두 번째 스테이지부터 호흡을 시작하고 다이빙을 시작할 수 있습니다.

FM2 페이스피스에는 턱 아래에 물 배출 밸브가 있어 특히 효과적이고 자연스러운 물 배출이 가능합니다. 잠 못 인준된 구성에는 배수 밸브 보호 튜브가 장착되어 있습니다(그림 1-C).

이 파이프는 특정 조건에서 공기원의 상대적 위치에 따라 발생하는 수압의 차이로 인해 잠수 중 두 번째 스테이지에서 자유 흐름이 발생하는 것을 방지합니다.

경고

배수 밸브 보호 파이프를 제거하면 인준된 구성이 변경되며 유럽 인증 표준을 준수하지 못하게 됩니다.

FM2 페이스피스에는 SCUBAPRO HUD 다이브 컴퓨터를 포함한 액세서리 조립을 위한 연결부가 있습니다(액세서리 조립용 키트는 별도 구매 가능).

기능 및 사용에 대한 자세한 내용은 사용 섹션을 참조하세요.

4. 사용하기

4.1 다이빙 준비 - 사용 전 중요 주의사항

마스크의 앞부분에는 두 번째 단계를 장착할 수 있도록 설계된 연결부가 있습니다.

두 번째 단계를 연결하는 데 필요한 구성품 그룹은 이 연결부에 이미 조립되어 있습니다(그림 1 및 2).

본체(D)에 나사로 고정되는 이 그룹은 링(A), 와셔(E), 스페이서(G) 및 고무 슬리브(F)로 구성됩니다.

두 번째 스테이지를 조립하려면 다음과 같이 진행하세요.

마우스피스를 제자리에 고정하는 스트랩을 연 후 두 번째 스테이지에서 마우스피스를 제거합니다.

그림 3.1과 같이 링(A), 스페이서(G), 슬리브(F)의 세 구성품이 미리 조립된 상태에서 링(A)을 완전히 풀고 와셔(E)는 본체(D)에 고정된 상태로 나사를 풀어줍니다.

와셔(E)가 두 개의 씰링 리브가 스커트의 고무를 향하도록 조립되었는지 확인합니다(확대 2.1).

두 번째 스테이지를 고무 슬리브(F) 안에 삽입합니다.

그런 다음 제공된 스트랩(H)을 사용하여 두 번째 스테이지가 삽입된 고무 슬리브에 두 번째 스테이지를 고정하고 적절히 조여줍니다.

전체 장치를 다시 페이스피스에 조립하고 링(A)을 조이고 전체 조립품이 안전하게 연결되도록 조이는 동안 본체가 회전하지 않는지 확인하며 끝까지 조인 다음(그림 4), 그림 3.2와 같이 본체 뒷면에 보이는 작은 삼각형(D)이 위를 향하고 있는지 확인합니다.

경고

예비 조립 작업을 수행할 때는 항상 두 번째 스테이지 연결 그룹과 두 번째 스테이지 자체를 고정하는 제공된 스트랩을 올바르게 조였는지 확인하세요.

조이지 못하거나 잘못 조이면 다이빙 중에 매우 위험하고 사고와 부상을 초래할 수 있으며 심지어 사망에 이를 수도 있습니다.

렌즈에 김이 서리기 시작하는 경우, 내부 표면에 SCUBAPRO 김서림 방지제(P/N 24.090.000)를 사용한 후에 물로 마스크를 완전히 헹굽니다(새 마스크인 경우 이 작업을 세 번 반복합니다).

알코올 등의 솔벤트나 세정제를 절대 사용하지 마세요. 필요한 경우 액체 비누만 사용하세요.

경고

다이빙 전에 장비와 풀페이스 마스크를 수면 위에서 착용하는 것이 좋습니다.

4.2 다이빙

FM2/MK25EVO/S620Ti를 착용하기 전에 모든 부품이 다이빙을 위한 최적의 상태인지 점검하세요.

버클, 스트랩, 두 번째 스테이지 부착물, 프레임 및 페이스피스를 모두 점검하세요.

마스크를 착용하고 김서림이 없는지, 균형이 맞는지 확인합니다.

⚠ 경고

장비와 FM2/MK25EVO/S620Ti의 양호한 상태와 올바른 작동을 확인하지 않은 상태에서 다이빙을 하지 마세요.

결합, 손상 또는 변조를 발견하면 즉시 SCUBAPRO 공인 서비스 기술자에게 연락하세요.

⚠ 경고

마스크를 아래쪽으로 향하게 하여 물에 뛰어들거나 날카로운 물체에 마스크를 떨어뜨리지 마세요. 강한 충격을 가하는 경우 렌즈의 파손을 유발할 수 있으며, 이는 사용자에게 부상을 입힐 수 있습니다.

예비 점검이 완료되면 FM2/MK25EVO/S620Ti 마스크를 착용하고 스트랩의 다섯 끝을 조절하여 얼굴에 가장 잘 맞을 때까지 각 끝을 조금씩 당겨서 다섯 개의 스트랩을 개별적으로 조여줍니다. (그림 5.1)

쉽게 조절할 수 있도록 스트랩의 끝을 고리에서 일시적으로 분리할 수 있습니다.

마스크를 풀거나 제거하려면 해당 하단 스트랩을 당기면서 버클 탭을 살짝 들어 올리세요(그림 5.2).

⚠ 경고

수심 2m(6피트) 이상의 프리 다이빙에서는 수압으로 인해 마스크가 얼굴에 밀착됩니다.

인증된 구성으로 사용하는 경우 정상 호흡만으로도 문제를 피할 수 있습니다.

⚠ 경고

다이빙 중 고막이 찢어지는 위험한 상황을 피하려면 손가락으로 코를 잡고 입을 다문 채로 붙어서 고막 벽 안쪽으로 공기를 밀어 넣으세요.

수면에서 멈춰있는 동안 마스크에 제공된 표면 공기 흡입 밸브의 나사식 플러그(그림 1-B)를 풀면 실린더의 공기를 사용하지 않고 대기의 공기를 호흡할 수 있습니다.

잠수하기 전에 플러그를 완전히 조여 마스크를 다시 밀착시키세요.

⚠ 경고

다이빙하기 전에 수면용 공기 흡입 밸브를 닫고 마스크를 밀착하여 마스크에 물이 들어가 넘치지 않도록 하세요.

⚠ 경고

SCUBAPRO는 항상 백업 바이아웃 시스템을 준비할 것을 권장합니다. 첫 번째와 두 번째 스테이지가 있는 FM2/MK25EVO/S620Ti 마스크에 연결되지 않은 전체 레귤레이터 등입니다.

또한 SCUBAPRO는 예비 마스크를 휴대할 것을 권장합니다.

⚠ 경고

다이빙 중에는 FM2를 벗었다가 다시 착용할 수 없습니다. 수중에서 FM2를 벗어야 하는 경우 다시 착용하지 마세요. 예비 마스크와 레귤레이터를 사용하고 즉시 상승을 시작하세요.

5. 사용하지 않는 시의 관리

특히 염소 처리된 물에서 다이빙을 한 경우, 다이빙 후에는 마스크를 깨끗한 물로 완전히 헹구세요.

⚠ 경고

특히 FM2/MK25EVO/S620Ti를 오염된 물에서 사용한 경우에는 반드시 행구고 깨끗이 세척해야 합니다.

5.1 소독

SCUBAPRO는 McNett Revivex 세정제를 권장합니다. 해당 패키지에서 제시된 절차와 희석 방식에 따라 사용하십시오.

⚠ 경고

알코올 등의 솔벤트나 세제를 사용하지 마세요.

5.2 보관

햇빛이 들지 않는 서늘한 곳에 두어 물이 빠지도록 놓아 말리세요.

마른 마스크는 햇빛을 피해 실온의 건조한 곳에 보관하세요.

온도 제한 -10°C/60°C

6. 유지보수

본 매뉴얼에 설명된 것 이외의 작업은 사용자가 수행해서는 안 되며, 자격을 갖춘 공인 SCUBAPRO 기술자가 수행해야 합니다.

FM2 페이스피스는 2년마다 공인 SCUBAPRO 기술자에게 서비스를 받아야 합니다. 보증을 유지하기 위해 정밀 점검은 필수입니다. 레귤레이터와 관련된 유지보수에 대해서는 SCUBAPRO 레귤레이터 매뉴얼을 참조하세요.

이에 대해서는 Johnson Outdoors 제품보증조건을 참조해 주십시오. SELECTED DEALER SCUBAPRO 표시나 www.scubapro.com를 방문하여 확인할 수 있는 SCUBAPRO 공인대리점을 통해서 서비스를 받을 수 있습니다.

1. ВАЖНИ ПРЕДУПРЕЖДЕНИЯ

⚠ ПРЕДУПРЕЖДЕНИЕ

Това ръководство трябва да се прочете и разбере изцяло, преди да се използва продукта. Препоръчва се да запазите ръководството за целия период на използване на продукта.

⚠ ПРЕДУПРЕЖДЕНИЕ

При спускане трябва да спазвате правилата и да прилагате уменията, придобити във водолазния курс. Преди да се спускате е задължително да сте завършили успешно водолазен курс, включващ теоретичните и практическите аспекти на водолазната дейност с целополицева маска.

⚠ ПРЕДУПРЕЖДЕНИЕ

Това ръководство не замества водолазния курс.

⚠ ПРЕДУПРЕЖДЕНИЕ

За подробности относно характеристиките, използването, грижите и поддръжката на дихателния автомат MK25EVO/S620Ti вижте ръководствата на автоматите SCUBAPRO.

2. ЕВРОПЕЙСКИ СЕРТИФИКАТИ

Маската FM2, заедно с автомата MK25EVO/S620Ti съставляват целополицевата маска FM2/MK25EVO/S620Ti.

Целополицевата маска FM2/MK25EVO/S620Ti на SCUBAPRO, описана в това ръководство е получила Европейски сертификат съобразно европейските правила за условията за пускане на пазара и основните изисквания за безопасност за лични предпазни средства (ЛПС) клас три. Сертификатът е издаден от оторизирания орган RINA само за автоматите на SCUBAPRO, включени в това Ръководство.

Изпитанията са проведени съобразно с хармонизиран стандарт EN250:2014, за да се осигури спазването на основните изисквания за здраве и безопасност, поставени от Европейски Регламент 2016/425/EU.

Означенията CE и EN250 върху продукта показват съответствие с горните изисквания.

Числото 0474 е идентификационният номер на RINA Via Corsica, 12, 16128 Genova (GE) Italy, оторизираният орган за оценка на съответствието и контрол на спазването на регламента от продуктите, както е описано в модули B и D на 2016/425/EU. Означенията 232bar и 300bar на първата степен показват максималното допустимо налягане на ЛПС.

Производител на SCUBAPRO FM2/MK25EVO/S620Ti е SCUBAPRO EUROPE s.r.l., Via Tangoni 16, 16030 Casarza Ligure (GE) Italy. SCUBAPRO EUROPE s.r.l. притежава система за оценка на качеството, сертифицирана от RINA в съответствие със стандарт ISO9001:2015.

2.1 Стандартът EN 250:2014 - значение и изисквания.

Изискванията и изпитанията, определени от стандарта EN 250:2014 са предназначени да гарантират минимално ниво на безопасност при работата на апаратите за дишане под вода. В Европа, стандартът EN 250:2014 определя минималните технически изисквания, които трябва да изпълнява подводния апарат и той е последното издание на стандарта EN250.

2.2 Ограничения, произтичащи от EN250:2014

Дихателният апарат може да бъде съставен от отделни компоненти като: бутилка(и), дихателен автомат(и), манометър и маска.

Използването на дихателния апарат е ограничено до спускане под вода.

Целополицевата маска FM2/MK25EVO/S620Ti е съставена от маска, интегрирана с дихателен автомат и следователно е ЛПС, което предпазва очите от контакт с водата и дихателните органи, които са подложени на действието на повишено налягане, като предоставя въздух за дишане при съответните условия по време на спускането.

FM2/MK25EVO/S620Ti може да се използва заедно с други компоненти, сертифицирани според регламент EU 2016/425 и стандартът EN 250: 2014. Въздухът, съдържащ се в бутилките, трябва да отговаря на изискванията за годен за дишане въздух, поставени в EN 12021. Сертифицираната дълбочина на спускане е 50 метра (164 фт). Във всеки случай, водолазът трябва да спазва ограниченията, наложени от местните предписания в мястото на спускане.

ВАЖНО

Европейският сертификат на FM2/MK25EVO/S620Ti като ЛПС се отнася за целия продукт, състоящ се от:

- 1) Маска SCUBAPRO FM2.
- 2) Втора степен S620Ti монтирана фронтално към маската FM2 и свързана с единична първа степен MK25EVO.

ПРЕДУПРЕЖДЕНИЕ

Маската FM2 е сертифицирана само с дихателните автомати, изброени в това ръководство, с които са проведени европейските изпитания за сертифициране в съответствие със стандарта EN250:2014.

Използването на FM2 с други дихателни автомати не влиза в обсега на сертифицирането.

ПРЕДУПРЕЖДЕНИЕ

Всяко изменение на конфигурацията на FM2/MK25EVO/S620Ti, което не е включено в сертифицираната европейска конфигурация, описана в това ръководство, например включването на собствения маркуч за ниско налягане на дихателния автомат води до загуба на съвместимостта с европейския сертификационен стандарт.

Максималното работно налягане зависи от съединението на използвания дихателен автомат MK25EVO/S620Ti . 300 бара за съединение по DIN и 232 бара за съединение по INT, според обозначението на първата степен.

За повече технически детайли и информация за дихателния автомат се обърнете към ръководството на SCUBAPRO.

FM2/MK25EVO/S620Ti е сертифициран за използване в студена вода, т.е. при температури под 10°C (50°F).

2.2.1 ОКТОПОД (Аварийно помощно дихателно съоръжение)

Октоподът обикновено се разглежда като допълнителна аварийна втора степен, която да се използва при нужда (например повреда на основната втора степен).

ПРЕДУПРЕЖДЕНИЕ

Само водолазни апарати, отговарящи на стандарта EN250:2014 с автомати, маркирани с "EN250A" или "EN250A>10°C" могат да се използват като аварийно спасително средство от повече от един водолаз.

ПРЕДУПРЕЖДЕНИЕ

Ако водолазният апарат е конфигуриран за използване и е използван едновременно от повече от един водолаз, максималната дълбочина на спускане не трябва да надвишава 30 метра и температурата на водата не трябва да бъде по-ниска от 4°C при маркировка "EN250A", и по-ниска от 10°C при маркировка "EN250A>10°C".

Обозначението EN250A се намира и на първата, и на втората степен на дихателния автомат MK25EVO/S620Ti. Маската FM2 е обозначена с EN250.

2.3 Важни бележки

За да бъдете предпазени при използването на оборудването от SCUBAPRO, Ви обръщаме внимание на следното:

1. **Всяко изменение на конфигурацията на FM2/MK25EVO/S620Ti, което не е включено в сертифицираната европейска конфигурация, описана в това ръководство, например включването на собствения маркуч за ниско налягане на дихателния автомат води до загуба на съвместимостта с европейския сертификационен стандарт.**
 2. **Максималното работно налягане зависи от съединението на използвания дихателен автомат MK25EVO/S620Ti . 300 бара за съединение по DIN и 232 бара за съединение по INT, според обозначението на първата степен.**
 3. **За повече технически детайли и информация за дихателния автомат се обърнете към ръководството на SCUBAPRO.**
- Всяко изменение на конфигурацията на FM2/MK25EVO/S620Ti, което не е включено в сертифицираната европейска конфигурация, описана в това ръководство, например включването на собствения маркуч за ниско налягане на дихателния автомат води до загуба на съвместимостта с европейския сертификационен стандарт.

Отстранете мундщука от втората степен, като откачите ремъка, който го крепи на място. Развийте изцяло пръстена (A), като оставите сглобени трите компонента, пръстена (A), ограничителя (G) и ръкава (F), както е показано на Фигура 3.1, а шайбата (E) остава на място върху тялото (D). Уверете се, че шайбата (E) е поставена така, че двата уплътняващи ръба да се опират до гумата на съединението (увеличението 2.1).

Вкарайте втората степен в гумения ръкав (F).

След това използвайте доставения ремък (H), за да закрепите втората степен в гумения ръкав и затегнете правилно.

Сглобете целия възел в маската, като завиете и затегнете пръстена (A), така че да се гарантира сигурна връзка на целия възел (Фигура 4), като при затягането внимавайте тялото да не се върти и малкият триъгълник на гърба на тялото (D) да остава насочен нагоре, както е показано на Фигура 3.2.

ПРЕДУПРЕЖДЕНИЕ

При предварителното сглобяване винаги проверявайте дали сте затегнали правилно съединението на втората степен и ремъка, който задържа самата втора степен.

Липсващо или неправилно затягане може да бъде много опасно при спускане и да предизвика инциденти и наранявания, евентуално дори фатални.

Ако стъклото се запоти, намажете отвътре със SCUBAPRO разтвор против запотяване (P/N 24.090.000), след което изплакнете обилно маската с вода (ако маската е нова, повторете тази процедура три пъти). Никога не използвайте разтворители или детергенти като алкохоли и др. Ако е необходимо, използвайте само течен сапун,

ПРЕДУПРЕЖДЕНИЕ

Препоръчва се да се постави целолицевата маска на повърхността, преди спускане.

4.2 Спускане

Преди да си поставите FM2/MK25EVO/S620Ti, прегледайте маската, за да се уверите, че всички части са в оптимално състояние.

Проверете всички катарамы, ремъци, закрепването на втората степен, рамката и лицевата част.

Нагласете маската, проверете за запотяване и възможността за изравняване.

ПРЕДУПРЕЖДЕНИЕ

Не се спускайте, ако не сте проверили безупречното състояние и правилното затягане на оборудването и FM2/MK25EVO/S620Ti.

Ако забележите дефекти, увреждания или модификации, веднага влезте във връзка с авторизиран техник на SCUBAPRO.

ПРЕДУПРЕЖДЕНИЕ

Не скачайте във водата с лицето надолу и не пускайте маската от високо или върху остри предмети: стъклото може да се счупи и да нарани някого.

След всички предварителни проверки, нагласете FM2/MK25EVO/S620Ti като регулирате петте края на ремъците и затегнете петте ремъка поотделно, като издърпате по малко всеки край, докато постигнете оптимално положение на маската върху лицето ви. (Фигура 5.1)

За да улесните регулирането, можете временно да извадите краищата на ремъците от пръстените.

За да разхлабите или махнете маската, повдигнете катарамите, като същевременно издърпате съответния ремък (Фигура 5.2).

ПРЕДУПРЕЖДЕНИЕ

При свободното спускане налягането притиска маската към лицето на дълбочина, по-голяма от 2 метра.

Когато конфигурацията е сертифицирана, достатъчно е да дишате нормално за да нямате проблеми.

ПРЕДУПРЕЖДЕНИЕ

За да се избегне спукването на тъпанчетата на ушите при спускането, стиснете носа си с пръсти и надуйте със затворена уста, за да вкарате въздух в средното ухо.

При излизане на повърхността можете да използвате вентила за вход на атмосферен въздух, като развиете резбованата тапа (Фигура 1-B), за да дишате атмосферен въздух и да пестите въздуха от бутилката.

Преди да се спуснете отново, завийте плътно тапата, за да уплътните маската.

ПРЕДУПРЕЖДЕНИЕ

Преди да се спуснете се уверете, че вентилът за вход на атмосферен въздух е затворен и маската е уплътнена, така че да не влиза вода.

ПРЕДУПРЕЖДЕНИЕ

SCUBAPRO препоръчва винаги да имате резервна система за дишане с първа и втора степен, които не са свързани с FM2/MK25EVO/S620Ti.

SCUBAPRO също препоръчва да носите със себе си резервна маска.

ПРЕДУПРЕЖДЕНИЕ

Не е възможно по време на спускането FM2 да се свали и да се постави отново. Ако се наложи да се свали FM2 под водата, не я поставяйте отново. Използвайте резервна маска и автомат и веднага започнете да изплувате.

5. ГРИЖИ КОГАТО НЕ СЕ ИЗПОЛЗВА

След всяко спускане изплакнете маската старателно със сладка вода, особено ако е била използвана в хлорирана вода.

ПРЕДУПРЕЖДЕНИЕ

Ако FM2/MK25EVO/S620Ti е използвана в замърсена вода, обърнете особено внимание на старателното почистване и измиване.

5.1 Дезинфекция

SCUBAPRO препоръчва McNett Revivex Cleaner. Използвайте го съобразно процедурата и при разреждането, описани на опаковката.

ПРЕДУПРЕЖДЕНИЕ

Не използвайте разтворители или детергенти като алкохоли и др.

5.2 Съхранение

Оставете маската в подходящо положение да изсъхне на хладно място без пряка слънчева светлина.

Когато изсъхне, съхранете маската на сухо място без пряка слънчева светлина при стайна температура.

ТЕМПЕРАТУРНИ ГРАНИЦИ -10°C / 60°C

6. ПОДДРЪЖКА

Операции, които не са описани в това ръководство не трябва да се изпълняват от потребителя, а от квалифициран и оторизиран техник на SCUBAPRO.

Маската FM2 трябва да се преглежда от оторизиран техник на SCUBAPRO на всеки 2 години. Този преглед е задължителен за запазване на гаранцията. За поддръжка, свързана с автоматата, вижте ръководствата на автоматите SCUBAPRO.

Моля, прочетете условията за гаранцията на Johnson Outdoors. Сервизът се извършва само от оторизираните представители на SCUBAPRO, които са обозначени като ИЗБРАН ПРЕДСТАВИТЕЛ НА SCUBAPRO, или са изброени на www.scubapro.com

1. SVARĪGI BRĪDINĀJUMI

BRĪDINĀJUMS

Pirms produkta lietošanas ir pilnībā jāizlasa un jāizprot šī rokasgrāmata. Šo rokasgrāmatu ieteicams turēt savā īpašumā visā produkta kalpošanas laikā.

BRĪDINĀJUMS

Niršanas laikā jums jāievēro noteikumi un jāpielieto prasmes, kuras jums ierādījusi atzīta niršanas sertifikācijas aģentūra. Pirms piedalīties jebkurā niršanas aktivitātē obligāti jāapgūst niršanas kurss, kas aptver gan pilnas sejas maskas teorētiskos, gan arī tehniskos niršanas aspektus.

BRĪDINĀJUMS

Šī instrukcija neaizstāj niršanas apmācības kursu!

BRĪDINĀJUMS

Sīkāku informāciju par MK25EVO/S620Ti regulatora funkcijām, lietošanu, kopšanu un apkopi skatiet SCUBAPRO regulatoru rokasgrāmata.

2. EIROPAS CERTIFIKĀCIJA

FM2 sejas aizsargs un MK25EVO/S620Ti regulators kopā veido FM2/MK25EVO/S620Ti pilnas sejas masku.

SCUBAPRO FM2/MK25EVO/S620Ti pilna sejas maska ir ieguvusi Eiropas sertifikātu saskaņā ar Eiropas noteikumiem, kas reglamentē nosacījumus laišānai tirgū un drošības pamatprasības trešās kategorijas individuālajiem aizsardzības līdzekļiem (IAL). Sertifikāciju izsniedza RINA pilnvarotā iestāde, izmantojot tikai šajā rokasgrāmātā iekļautos SCUBAPRO regulatoru modeļus.

Sertifikācijas testi ir veikti saskaņā ar harmonizēto standartu EN250, lai nodrošinātu atbilstību Eiropas Regulā 2016/425/ES noteiktajām veselības un drošības pamatprasībām.

CE un EN250 zīmes uz produkta apzīmē atbilstību minētajām prasībām.

Numurs 0474 ir RINA, Via Corsica, 12, 16128 Genova (GE), Itālija - pilnvarotā iestādes, kas novērtē atbilstību un kontrolē ražošanas atbilstību noteikumiem, identifikācijas numurs, kā norādīts B un D modulī, 2016/425/ES. 232bar un 300bar marķējums pirmajā posmā norāda IAL maksimālo padeves spiedienu.

SCUBAPRO FM2/MK25EVO/S620Ti ražotājs ir SCUBAPRO EUROPE s.r.l., Via Tangoni 16, 16030 Casarza Ligure (GE) Itālija. SCUBAPRO EUROPE s.r.l. ir RINA sertificēta kvalitātes vadības sistēma saskaņā ar ISO9001:2015 standartu.

2.1 EN 250:2014 standarts - nozīme un prasības

Standartā EN 250:2014 noteiktās prasības un testi ir paredzēti, lai garantētu minimālo drošības līmeni zemūdens elpošanas aparātu darbībai. Eiropā EN 250:2014 standarts nosaka minimālās tehniskās prasības, kurām ir jāatbilst SCUBA, un tas ir jaunākais EN250 standarta pārskatījums.

2.2. EN250:2014 noteiktie ierobežojumi

SCUBA bloks var sastāvēt no atsevišķām sastāvdaļām, piemēram, balona(-u), regulatora(-u), spiediena mērītāja un sejas aizsarga.

SCUBA ierīces izmantošana ir ierobežota zemūdens niršanas laikā.

Pilna sejas maska FM2/MK25EVO/S620Ti sastāv no sejas maskas, kas integrēta ar regulatoru, un tādējādi ir IAL, kas aizsargā acis no saskares ar ūdeni un elpošanas ceļus no spiediena iedarbības, nodrošinot elpojamu gaisu nepieciešamajos lietošanas apstākļos niršanas laikā.

FM2/MK25EVO/S620Ti var izmantot ar SCUBA komponentiem, kas sertificēti saskaņā ar regulu ES 2016/425 un EN 250:2014 standartu. Balonos esošajam gaisam jāatbilst standartā EN 12021 noteiktajam elpojamā gaisa prasībām. Sertifikācijas dziļums ir 50 metri (164 pēdas). Jebkurā gadījumā nīrējiem vienmēr jāievēro niršanas vietas vietējos noteikumus paredzētie ierobežojumi.

SVARĪGI

FM2/MK25EVO/S620Ti IAL Eiropas sertifikācija attiecas uz pilnu izstrādājumu, kas sastāv no:

- 1) SCUBAPRO FM2 sejas aizsarga.
- 2) S620Ti otrais posms, kas frontāli uzmontēts uz FM2 sejas aizsarga un savienots ar vienu MK25EVO pirmo posmu.

⚠ BRĪDINĀJUMS

FM2 sejas aizsargs ir sertificēts, izmantojot tikai šajā rokasgrāmatā norādītos regulatoru modeļus, ar kuriem ir veikti Eiropas sertifikācijas testi saskaņā ar standartu EN250:2014.

FM2 izmantošana ar citiem regulatoriem neietilpst sertifikācijas jomā.

⚠ BRĪDINĀJUMS

Jebkuras izmaiņas FM2/MK25EVO/S620Ti konfigurācijā, kas nav iekļautas sertificētajā Eiropas konfigurācijā, kā aprakstīts šajā rokasgrāmatā, tostarp, piemēram, regulatora komplektācijā iekļautā zemspiediena šļūtene, nozīmē, ka tiek zaudēta atbilstība Eiropas sertifikācijas standartam.

Maksimālais darba spiediens ir atkarīgs no izmantotā MK25 EVO/S620Ti regulatora savienojuma: izmantojot DIN savienojumu - 300 bāri un INT savienojumu - 232 bāri saskaņā ar pirmās pakāpes marķējumu.

Sīkāku tehnisko informāciju un informāciju saistībā ar regulatoru skatīt SCUBAPRO regulatoru rokasgrāmatā.

FM2/MK25EVO/S620Ti ir sertificēts lietošanai aukstā ūdenī, t.i., temperatūrā zem 10°C.

2.2.1 OCTOPUS (avārijas palīgierīce elpošanai)

Octopus parasti tiek uzskatīts par otrās pakāpes avārijas palīgierīci, ko nīrējs var izmantot nepieciešamības gadījumā (piemēram, primārās otrās pakāpes darbības traucējumu gadījumā).

⚠ BRĪDINĀJUMS

Vairāk nekā viens nīrējs vienlaicīgi kā glābšanās līdzekli drīkst izmantot tikai tādu SCUBA ierīci, kas atbilst EN250:2014, ar regulatoru, kas marķēts ar "EN250A" vai "EN250A>10°C".

⚠ BRĪDINĀJUMS

Ja SCUBA ierīce ir konfigurēta un to vienlaicīgi izmanto vairāk nekā viens nīrējs, tad to nedrīkst izmantot dziļumā, kas pārsniedz 30 metrus, un ūdens temperatūrā, kas ir zemāka par 4°C, ja marķējums ir "EN250A", un zemāka par 10°C, ja marķējums ir "EN250A>10°C".

EN250A marķējumu var atrast uz regulatora MK25EVO/S620Ti pirmās un otrās pakāpes gadījumā. Uz FM2 sejas aizsarga ir marķējums EN250.

2.3 Svarīgas piezīmes

Lietojot SCUBAPRO glābšanas aprīkojumu, mēs jūsu aizsardzībai vēšam uzmanību uz turpmāk minēto:

1. Iekārtu lietojiet saskaņā ar šajā rokasgrāmatā ietvertajiem norādījumiem un tikai pēc tam, kad pilnībā esat izlasījuši un izpratuši visus norādījumus un brīdinājumus.
2. Iekārtas lietošana ir ierobežota ar šajā rokasgrāmatā aprakstītajiem lietošanas veidiem vai SCUBAPRO rakstiski apstiprinātiem lietojumiem.
3. Balonus drīkst uzpildīt tikai ar saspiestu atmosfēras gaisu saskaņā ar EN 12021 normu. Ja balonā rodas mitruma, tas var izraisīt ne tikai balona koroziju, bet arī sasalšanu un sekojošus regulatora darbības traucējumus, veicot nīršanu zemas temperatūras apstākļos (zem 10°C (50°F)). Baloni jātransportē saskaņā ar vietējiem noteikumiem par bīstamo kravu pārvadāšanu. Uz balonu izmantošanu attiecas gāzes un saspiebtā gaisa izmantošanas reglamentējošie tiesību akti.
4. Iekārtas kapitālais remonts jāveic pilnvarotam SCUBAPRO tehniķim noteiktos laika intervālos. Kapitālais remonts ir jādokumentē. Veicot remontu un apkopi, jāizmanto tikai SCUBAPRO rezerves daļas.
5. Ja aprīkojumu apkalpo vai remontē, neievērojot SCUBAPRO apstiprinātās procedūras, vai, ja to veic neapmācīts personāls vai nesertificēts SCUBAPRO personāls, vai, ja tas tiek izmantots citādi un ne mērķiem, kam tas īpaši paredzēts, atbildīgs par aprīkojuma pareizu un drošu darbību ir īpašnieks/lietotājs.
6. Elpošanai ir jābūt nepārtrauktai, bez elpas aizturēšanas.
7. Visi nīršanas darbi ir jāplāno un jāveic tā, lai beidzot nīršanu, lietotājam vēl būtu pietiekama gaisa rezerve izmantošanai ārkārtas situācijās. Ieteicamais daudzums parasti ir 50 bāri (725 psi).
8. Ja SCUBA aprīkojums tiks izmantots aukstā ūdenī (temperatūra zemāka par 10°C), būs jāizmanto šādai temperatūrai piemērots regulators.

⚠ BRĪDINĀJUMS

Nīršanai aukstā ūdenī nepieciešams īpašs aprīkojums un tehnika. Pirms nīršanas aukstā ūdenī iesakām iegūt atbilstošu apmācību no atzītas mācību aģentūras.

9. Šīs rokasgrāmatas saturs ir balstīts uz jaunāko informāciju, kas ir pieejama drukāšanas brīdī. SCUBAPRO patur tiesības jebkurā laikā veikt izmaiņas.

SCUBAPRO atsakās no jebkādas atbildības par zaudējumiem, kas radušies, neievērojot šajā rokasgrāmatā sniegtos norādījumus. Šī instrukcija nepaplašina garantiju vai atbildību, kas noteikta SCUBAPRO pārdošanas un piegādes noteikumos.

Lai saglabātu garantiju, apkope jāveic kvalificētam SCUBAPRO tehnikam, kā arī jāveic apkopes uzskaitē. Sīkākai informācijai sazinieties ar SCUBAPRO pilnvaroto izplatītāju.

3. VISPĀRĪGI RAKSTURLIELUMI

BRĪDINĀJUMS

Tikai MK25EVO/S620Ti regulatora kombinācija ir sertificēta montāžai un lietošanai ar FM2 sejas aizsargu.

Vienīgās MK25EVO/S620Ti konfigurācijas, kas sertificētas ar FM2, ir tikai tās, kurām ir SCUBAPRO standarta 75 cm šūtenes bez grožāmiem veidgabaliem vai elkoņiem.

Gaisa ieplūdes vārsts laika periodiem uz ūdens virsmas (1-B attēls) ļauj, atverot vārstu, izvairīties no gaisa padeves patēriņa, kas ir noderīgs niršanai: vienkārši aizveriet gaisa ieplūdes vārstu laika periodiem uz ūdens virsmas, lai sāktu elpot no otrā posma un sāktu niršanu.

FM2 sejas aizsargam ir ūdens novadīšanas vārsts zem zoda, kas nodrošina īpaši efektīvu un dabisku ūdens novadīšanu. Oriģinālā un sertificētā konfigurācija ir aprīkota ar izplūdes vārsta aizsargcauruli (1-C attēls).

Šī caurule novērš brīvu plūsmu no otrā posma niršanas laikā, kuru rada hidrostatiskā spiediena starpība, kas noteiktos apstākļos tiek izraisīta gaisa avota relatīvā novietojuma rezultātā.

BRĪDINĀJUMS

Ūdens izplūdes vārsta aizsargcaurules noņemšana nozīmē sertificētās konfigurācijas maiņu un tādejādi tiek zaudēta atbilstība Eiropas sertifikācijas standartam.

FM2 sejas aizsargam ir pieslēgumi piederumu montāžai, tostarp SCUBAPRO HUD niršanas datoram (piederumu montāžas komplekti ir pieejami atsevišķi).

Sīkāku informāciju par funkcijām un lietošanu skatiet sadaļā LIETOŠANA.

4. LIETOŠANA

4.1 Sagatavošana niršanai - svarīgi brīdinājumi pirms lietošanas

Maskas priekšējā daļā ir savienojums, kas paredzēts otrā posma ievietošanai.

Sastāvdaļu bloks, kas nepieciešams, lai savienotu otro posmu, jau ir samontēts uz šī savienojuma (1. un 2. attēls).

Šis bloks, kas pieskrūvēts uz korpusa (D), sastāv no gredzena (A), paplāksnes (E), starplikas (G) un gumijas uznavas (F).

Lai samontētu otro posmu, rīkojieties šādi.

Noņemiet iemutni no otrā posma pēc siksnīņas atvēršanas, kas to notur savā vietā.

Pilnībā atskrūvējiet gredzenu (A), saglabājot trīs sastāvdaļas - gredzenu (A), starplikas (G) un uznavu (F) - samontētas, kā parādīts 3.1. attēlā, bet paplāksne (E) paliek uz korpusa (D).

Pārļieciniet, ka paplāksne (E) ir samontēta tā, lai abas blīvējuma ribas būtu vērstas pret svārkumu gumiju (2.1. paplašinājums).

Otro posmu ielieciet gumijas uznavā (F).

Pēc tam izmantojiet komplektācijā iekļauto siksnu (H), lai nostiprinātu otro posmu gumijas uznavā, kurā tas ir ievietots, pārļiecinoties, ka tas ir pietiekami pievilks.

Uzmontējiet visu ierīci atpakaļ uz aizsargaprīkojuma, pieskrūvējot gredzenu (A) un pievelkot to līdz galam, lai garantētu drošu visa komplekta savienojumu (4. attēls), pārļiecinoties, ka skrūvēšanas laikā korpusi nerotē, un pārbaudot, vai mazais trīsstūris, kas redzams korpusa aizmugurē (D), ir vērsti uz augšu, kā parādīts 3.2. attēlā.

BRĪDINĀJUMS

Veicot sākotnējās montāžas darbības, vienmēr pārbaudiet, vai ir pietiekami pievilks otrā posma savienojuma bloks un komplektācijā iekļauta siksnas, kas tur otro posmu.

Neveiksmīga vai nepareiza pievilksana var būt ļoti bīstama niršanas laikā un izraisīt nelaimes gadījumus un traumas, pat letālas.

Ja lēcas sāk migloties, izmantojiet SCUBAPRO pretmiglas šķīdumu (P/N 24,090.000) uz iekšējās virsmas, pēc tam masku rūpīgi noskalojiet ūdenī (ja maska ir jauna, atkārtojiet šo darbību trīs reizes).

Nekad nelietojiet šķīdinātājus vai tīrīšanas līdzekļus, piemēram, spirtu u.c. Ja nepieciešams, izmantojiet tikai šķidrās ziepes.

⚠ BRĪDINĀJUMS

Pirms niršanas ieteicams uzvilkt aprīkojumu un pilnu sejas masku uz virsmas.

4.2. Niršana

Pirms FM2/MK25EVO/S620Ti uzvilšanas pārbaudiet, vai visas detaļas ir niršanai optimālā stāvoklī.

Pārbaudiet visas sprādzes, siksnas, otrā posma stiprinājumus, rāmi un sejas aizsargu.

Uzlieciet masku un pārbaudiet, vai tā nav aizsvīdusi un vai varat to pielāgot.

⚠ BRĪDINĀJUMS

Nenodarbojieties ar niršanu, ja iepriekš neesat pārlicinājies, vai aprīkojums un FM2/MK25EVO/S620Ti ir labā stāvoklī un darbojas pareizi.

Ja pamanāt jebkādas defektus, bojājumus vai manipulācijas, nekavējoties sazinieties ar SCUBAPRO pilnvaroto servisa speciālistu.

⚠ BRĪDINĀJUMS

Neleciet ūdenī ar seju uz leju un nemetiet masku pret asiem priekšmetiem: liela trieciena dēļ var saplīst lēcas, kas lietotājam var radīt traumas.

Pēc tam, kad ir veiktas sākotnējās pārbaudes, uzlieciet masku FM2/MK25EVO/S620Ti, noregulējot piecus siksnīņu galus, un pievelciet visas piecas siksnīņas atsevišķi, vienkārši nedaudz pavelkot katru galu, līdz sasniegts optimāls maskas regulējums uz sejas. (5.1. attēls)

Lai atvieglotu regulēšanu, siksnīņu galus var uz laiku izņemt no cilpām.

Lai masku atlaistu vai noņemtu, nedaudz paceliet sprādzes cilpiņas, vienlaikus velkot attiecīgās apakšējās siksnīņas (5.2. attēls).

⚠ BRĪDINĀJUMS

Vairāk nekā 2 metru dziļumā brīvās niršanas laikā spiediens spiež masku pret seju.

Ja to izmanto sertificētā konfigurācijā, lai izvairītos no problēmām, pietiek ar normālu elpošanu.

⚠ BRĪDINĀJUMS

Lai niršanas laikā izvairītos no bīstamas bungādiņas saspiešanas, aizspiediet degunu ar pirkstiem un pūtiet ar aizvērtu muti, lai iepūstu gaisu bungādiņas iekšpusē.

Pārtraukumu laikā uz ūdens virsmas varat izmantot maskai pievienoto virsmas gaisa ieplūdes vārstu, atskrūvējot vītņoto aizbāzni (1-B attēls), lai elpotu atmosfēras gaisu, neizmantojot gaisu no baloniem.

Pirms niršanas pilnībā aizskrūvējiet aizbāzni atpakaļ, lai maska atkal būtu noslēgta.

⚠ BRĪDINĀJUMS

Pirms niršanas pārlicinieties, ka gaisa ieplūdes vārsts lietošanai uz ūdens virsmas ir aizvērts un maska ir noslēgta, lai novērstu ūdens iekļūšanu un maskas applūšanu.

⚠ BRĪDINĀJUMS

SCUBAPRO iesaka vienmēr nodrošināt rezerves glābšanas sistēmu: regulatoru ar pirmo un otro posmu, kas nav savienots ar FM2/MK25EVO/S620Ti masku utt.

SCUBAPRO arī iesaka ņemt līdzi rezerves masku.

⚠ BRĪDINĀJUMS

Niršanas laikā FM2 nav iespējams noņemt un uzlikt no jauna. Ja ir nepieciešams noņemt FM2 zem ūdens, nelieciet to atpakaļ. Izmantojiet rezerves masku un regulatorus un nekavējoties sāciet pacelšanos.

5. KOPŠANA, KAD TO NEIZMANTO

Pēc katras niršanas reizes rūpīgi noskalojiet masku ar tīru ūdeni, īpaši, ja niršana notiek hlorētā ūdenī.

BRĪDINĀJUMS

Īpaši, ja FM2/MK25EVO/S620Ti tiek izmantots piesārņotā ūdenī, pārlicinieties, ka tas ir rūpīgi izskalots un iztīrīts.

4.1 *Dezinfekcija*

SCUBAPRO iesaka lietot McNett Revivex tīrīšanas līdzekli. Lietojiet atbilstoši procedūrai un šķīdumam, kas aprakstīts uz iepakojuma.

BRĪDINĀJUMS

Neizmantojiet šķīdinātājus vai mazgāšanas līdzekļus, piemēram, spirtu utt.

5.2 *Uzglabāšana*

Atstājiet nožūt vēsā vietā, prom no saules gaismas, novietojot tā, lai ūdens notecētu.

Pēc nožūšanas masku uzglabājiet sausā vietā istabas temperatūrā, pasargājot no saules gaismas.

TEMPERATŪRAS IEROBEŽOJUMI -10°C / 60°C

6. APKOPE

Darbības, kas nav aprakstītas šajā rokasgrāmatā, nedrīkst veikt lietotājs, bet gan kvalificēts un pilnvarots SCUBAPRO tehniķis.

FM2 sejas aizsarga serviss jāveic pilnvarotam SCUBAPRO tehniķim ik pēc 2 gadiem. Kapitālais remonts ir obligāts, lai saglabātu garantiju. Attiecībā uz regulatoru apkopi skatiet SCUBAPRO regulatoru rokasgrāmatu.

Lūdzu, skatiet Johnson Outdoors garantijas nosacījumus. Apkalpošana ir pieejama pie SCUBAPRO autorizētajiem dīleriem, kas apzīmēti ar SELECTED DEALER SCUBAPRO zīmi, vai apmeklējot www.scubapro.com

1. SVARBŪS ĮSPĖJIMAI

⚠ ĮSPĖJIMAS

Prieš naudojant gaminį būtina perskaityti ir suprasti visą šį vadovą. Vadovą rekomenduojama išsaugoti per visą gaminio naudojimo laikotarpį.

⚠ ĮSPĖJIMAS

Nardydami privalote laikytis taisyklių ir naudotis įgūdžiais, kurių išmokė pripažinta nardymo su kvėpavimo įranga sertifikavimo agentūra. Prieš atliekant bet kokį panėrimą, privaloma sėkmingai baigti nardymo su kvėpavimo įranga kursą, apimančį teorinius ir techninius nardymo aspektus su visą veidą dengiančia kauke.

⚠ ĮSPĖJIMAS

Ši naudojimo instrukcija neatstoja nardymo mokymo kurso.

⚠ ĮSPĖJIMAS

Išsamesnės informacijos apie MK25EVO/S620Ti reguliatoriaus funkcijas, naudojimą, priežiūrą ir techninę priežiūrą rasite SCUBAPRO reguliatorių vadove.

2. EUROPOS SERTIFIKATAS

FM2 kaukė ir MK25EVO/S620Ti reguliatorius kartu sudaro FM2/MK25EVO/S620Ti visą veidą dengiančią kaukę. Šios SCUBAPRO FM2/MK25EVO/S620Ti visą veidą dengiančioms kaukėms išduotas Europos sertifikatas pagal Europos taisyklę, kurios reglamentuoja trečios kategorijos asmeninių apsaugos priemonių (AAP) išleidimo į rinką sąlygas ir pagrindinius saugos reikalavimus. Sertifikatą išdavė RINA notifikuotoji įstaiga, tik šiame vadove nurodytiems SCUBAPRO reguliatorių modeliams.

Siekiant užtikrinti gaminių atitiktį pagrindiniams sveikatos ir saugos reikalavimams, nustatytiems Europos reglamente 2016/425/ES, sertifikavimo bandymai atlikti pagal darnųjį standartą EN250:2014.

CE ir EN250 ženklais ant gaminio žymima atitiktis minėtiems reikalavimams.

Skaičius 0474 tai – notifikuotosios įstaigos, RINA, įsikūrusios Via Corsica, 12, 16128 Genujėje (GE), Italijoje, vertinančios atitiktį ir vykdančios gamybos atitikties kontrolę taisyklėms, identifikavimo numeris pagal B ir D modulius, 2016/425/ES. 232bar ir 300bar žymėjimas ant pirmosios pakopos rodo didžiausią AAP tiekiamą slėgį. SCUBAPRO FM2/ MK25EVO/S620Ti gamintojas yra „SCUBAPRO EUROPE s.r.l.“, Via Tangoni 16, 16030 Casarza Ligure (GE), Italija. „SCUBAPRO EUROPE s.r.l.“ naudoja kokybės valdymo sistemą, kurią RINA sertifikavo pagal standartą ISO9001:2015.

2.1 EN 250:2014 standarto reikšmė ir reikalavimai

Standarte EN 250:2014 nustatyti reikalavimų ir bandymų tikslas yra užtikrinti minimalų kvėpavimo po vandeniu įrangos naudojimo saugos lygį. Europoje standartas EN 250:2014 apibrėžia būtiniausias techninius reikalavimus, kuriuos turi atitikti nardymo įranga, ir yra naujausia standarto EN250 versija.

2.2 EN250: 2014 numatyti apribojimai

Nardymo įranga gali būti sudaryta iš atskirų komponentų, pvz., baliono (-ų), reguliatoriaus (-ių), slėgmačio ir kaukės. Nardymo įrangą galima naudoti tik nardymui po vandeniu.

FM2/MK25EVO/S620Ti visą veidą dengiančią kaukę sudaro kaukė su integruotu su reguliatoriumi, todėl tai yra asmeninės apsaugos priemonė, kuri apsaugo akis nuo sąlyčio su vandeniu, o kvėpavimo takus nuo slėgio poveikio, bei nardymo metu reikiamomis sąlygomis tiekia kvėpuoti tinkamą orą.

FM2/MK25EVO/S620Ti galima naudoti su nardymo įrangos komponentais, sertifikuotais pagal reglamentą ES 2016/425 ir standartą EN 250:2014. Balionuose esantis oras turi atitikti standarte EN 12021 nustatytus kvėpuojamojo oro reikalavimus. Sertifikuotas gylis yra 50 metrų (164 ft). Narai turi visada laikytis vietos taisyklėse, kurios galioja nardymo vietoje, nustatytų apribojimų.

SVARBU

Europos FM2/MK25EVO/S620Ti AAT sertifikatas taikomas visam gaminiui, kurį sudaro:

- 1) SCUBAPRO FM2 kaukė.
- 2) antroji pakopa S620Ti, iš priekio sumontuota ant FM2 kaukės ir prijungta prie vienos MK25EVO pirmosios pakopos.

ĮSPĖJIMAS

FM2 kaukė sertifikuota tik su šiame vadove nurodytais reguliatorių modeliais, su kuriais buvo atlikti Europos sertifikavimo bandymai pagal standartą EN250:2014.

FM2 naudojant su kitais reguliatoriais nepatenka šio sertifikavimas taikyti negalima.

ĮSPĖJIMAS

Pakeitus FM2/MK25EVO/S620Ti konfigūraciją, kuri nėra įtraukta į sertifikuotą europinę komplektaciją, kaip aprašyta šiame vadove, įskaitant, pavyzdžiui, kartu su reguliatoriumi tiekiamą žemo slėgio žarną, prarandama atitiktis Europos sertifikavimo standartui.

Didžiausias darbinis slėgis priklauso nuo naudojamo reguliatoriaus MK25 EVO/S620Ti jungties: 300 barų DIN jungčiai ir 232 barų INT jungčiai, pagal pirmosios pakopos ženklinią.

Daugiau techninių detalių ir informacijos apie reguliatorių rasite SCUBAPRO reguliatorių vadove.

FM2/MK25EVO/S620Ti sertifikuotas naudoti šaltame vandenyje, t. y. žemesnėje nei 10°C (50 °F) temperatūroje.

2.2.1 Avarinis pagalbinis kvėpavimo įtaisas (OCTOPUS)

Paprastai oktopusas laikomas avarine pagalbine antrąja pakopa, kurią naras gali naudoti kilus poreikiui, pvz., sugedus pagrindinei antrąjai pakopai.

ĮSPĖJIMAS

Daugiau nei vienas naras vienu metu kaip gelbėjimosi įtaisą gali naudoti tik nardymo įrangą, kuri atitinka standartą EN250:2014 su reguliatoriumi pažymėtu EN250A arba EN250A>10°C.

ĮSPĖJIMAS

Jei nardymo įranga sukonfigūruota naudoti daugiau nei vienam nardytojiui tuo pačiu metu ir ji bus taip naudojama, jos negalima naudoti didesniame nei 30 metrų gylyje ir žemesnės nei 4 °C temperatūros vandenyje, jei įranga pažymėta užrašu EN250A, arba žemesnės nei 10 °C (50 °F) temperatūros vandenyje, jei įranga pažymėta užrašu EN250A>10°C.

EN250A ženklų žymimos pirmosios ir antrosios MK25EVO/S620Ti reguliatoriaus pakopos. FM2 apsauginė kaukė pažymėta EN250 ženklu.

2.3 Svarbios pastabos

Rūpindamiesi jūsų apsauga naudojant SCUBAPRO gyvybės palaikymo įrangą, prašome atkreipti dėmesį į toliau nurodytus dalykus.

1. Įrangą naudokite laikydamiesi šiame vadove pateiktų instrukcijų ir tik kai perskaitysite visas instrukcijas ir įspėjimus bei juos suprasite.
2. Įrangą leidžiama naudoti tik kaip aprašyta šiame vadove ir SCUBAPRO raštu patvirtintai paskirčiai.
3. Pagal standartą EN 12021 balionai turi būti pripildyti tik suslėgto atmosferos oro. Jei balione yra drėgmės, ji gali ne tik sukelti baliono koroziją, bet ir reguliatoriaus užšalimą bei veikimo sutrikimą, kai nardoma žemos temperatūros (mažiau nei 10 °C (50 °F)) aplinkoje. Balionai turi būti transportuojami laikantis vietos taisyklių dėl pavojingųjų krovinių transportavimo. Balionų naudojimui taikomi įstatymai, reguliuojantys dujų ir suslėgto oro naudojimą.
4. Įrangą turi remontuoti įgaliotasis SCUBAPRO technikas nustatytu dažnumu. Kapitaliniai remontai turi būti dokumentuojami. Atliekant remonto arba techninės priežiūros darbus būtina naudoti tik SCUBAPRO atsargines dalis.
5. Jei įrangos priežiūros arba remonto darbai atliekami nesilaikant SCUBAPRO patvirtintų procedūrų arba jei darbus atlieka ne kvalifikuoti ar SCUBAPRO nesertifikuoti darbuotojai, arba jei įranga naudojama būdais ir tikslais, kurie nėra aiškiai leidžiami, atsakomybė dėl įrangos tinkamo ir saugaus veikimo tenka savininkui ir (arba) naudotojui.
6. Kvėpuoti reikia nepertraukiamai, kvėpavimo nesulaikant.
7. Visi panėrimai turi būti suplanuoti ir atliekami taip, kad nardymo pabaigoje naras vis dar turėtų pakankamą oro atsargų avariniam atvejui. Paprastai rekomenduojamas kiekis yra 50 bar (725 psi).
8. Jei SCUBA įranga bus naudojama šaltame vandenyje (žemesnėje nei 10 °C (50 °F) temperatūroje), reikės naudoti tokiai temperatūrai pritaikytą reguliatorių.

⚠️ ĮSPĖJIMAS

Nardant šaltame vandenyje reikia naudoti specialią įrangą ir taikyti specialius metodus. Prieš nardant šaltame vandenyje, prilygtinai rekomenduojame išklausti atitinkamą pripažintos mokyimo agentūros mokymo kursą.

9. Šio vadovo turinys pagrįstas naujausia informacija, turėta ruošiantis jį spausdinti. SCUBAPRO pasilieka teisę bet kada atlikti pakeitimus.

SCUBAPRO neprisiima jokios atsakomybės už žalą, patirtą nesilaikant šiame vadove pateiktų instrukcijų. Šios instrukcijos nepratęsia garantijos ir neišplečia atsakomybės, nurodytos SCUBAPRO pardavimo ir pristatymo sąlygose.

Norint išsaugoti šią garantiją, techninės priežiūros darbus turi atlikti kvalifikuotas SCUBAPRO specialistas ir reikia išsaugoti techninės priežiūros įrašus. Dėl išsamesnės informacijos susisieki su SCUBAPRO įgaliotuoju prekybos atstovu.

3. BENDROSIOS SAVYBĖS**⚠️ ĮSPĖJIMAS**

Tik MK25EVO/S620Ti reguliatorių komplektas yra sertifikuotas kaip tinkamas komplektuoti ir naudoti su FM2 kauke.

Vienintelės MK25EVO/S620Ti komplektacijos, sertifikuotos pagal FM2, yra tik tos, kuriose yra SCUBAPRO standartinės 75 cm ilgio žarnos, be papildomų posūkių ar alkūnių.

Oro įsiurbimo vožtuvas, naudojamas būnant vandens paviršiuje (1-B pav.) leidžia, atidarius vožtuvą, išvengti oro tiekimo sąnaudų, kurios bus naudingos nardymo metu: tiesiog uždarykite oro įsiurbimo vožtuvą būnant vandens paviršiuje ir pradėkite kvėpuoti iš antrosios pakopos bei pradėkite nardyti.

FM2 kaukė turi vandens nutekėjimo vožtuvą po smakru, kad vanduo nutekėtų ypač efektyviai ir organiškai. Originalioje ir sertifikuotoje komplektacijoje įmontuotas išleidimo vožtuvo apsauginis vamzdelis (1-C pav.).

Šis vamzdelis apsaugo nuo laisvo srauto tekėjimo iš antrosios pakopos nardymo metu, atsirandančio dėl hidrostatinio slėgio skirtumo, kurį tam tikromis sąlygomis sukelia santykinė oro srauto padėtis.

⚠️ ĮSPĖJIMAS

Vandens išleidimo vožtuvo apsauginio vamzdžio pašalinimas reiškia sertifikuotos komplektacijos pakeitimą ir panaikina atitiktį Europos sertifikavimo standartui.

FM2 kaukė turi jungtis, reikalingas priedams, įskaitant SCUBAPRO HUD nardymo kompiuterį, montuoti (priedų montavimo rinkinius galima įsigyti atskirai).

Išsamesnės informacijos apie funkcijas ir naudojimą rasite skyriuje NAUDOJIMAS

4. NAUDOJIMAS**4.1 Pasiruošimas nardymui - svarbūs įspėjimai prieš naudojimą**

Priekinėje kaukės dalyje yra jungtis, skirta prijungti antrajai pakopai.

Antrajai pakopai prijungti reikalingų komponentų sistema jau surinkta ant šios jungties (1 ir 2 pav.).

Šią sistemą, prisukamą prie korpuso (D), sudaro žiedas (A), poveržlė (E), tarpinė (G) ir guminė įvorė (F).

Norėdami surinkti antrąją pakopą, atlikite šiuos veiksmus.

Nuimkite kandiklį nuo antrosios pakopos, atsegę jį laikantį dirželį.

Pilnai atsukite žiedą (A), palikdami tris komponentus - žiedą (A), tarpinę (G) ir įvorę (F) - iš anksto sumontuotas, kaip parodyta 3.1 paveiksle, o poveržlę (E) palikite ant korpuso (D).

Įsitikinkite, kad poveržlė (E) būtų priveržta taip, kad dvi sandarinimo briaunos būtų nukreiptos į platėjančią gumą (2.1 praplatėjimas).

Įveskite antrąją pakopą į guminę įvorę (F).

Tada pritvirtinkite antrąją pakopą pridedamu dirželiu (H) guminėje įvorėje, į kurią įdėta antroji pakopa, ir įsitikinkite, kad ji tinkamai priveržta.

Sumontuokite vėl visą įrenginį ant kaukės, užsukite žiedą (A) ir priveržkite jį iki galo, kad visas įrenginys būtų saugiai sujungtas (4 pav.), įsitikinkite, kad užsukant korpusas nesisuktų, ir patikrinkite, ar mažas trikampis, pažymėta korpuso nugarėlėje (D), liektų nukreiptas į viršų, kaip parodyta 3.2 paveiksle.

ĮSPĖJIMAS

Atlikdami pirminius surinkimo darbus, visada patikrinkite, ar tinkamai priveržėte antrosios pakopos jungiamąją sistemą ir pridedamą dirželį, laikantį antrąją pakopą.

Blogai ar neteisingas užveržus jungiamąsias sistemas gali kilti didelis pavojus nardymo metu ir tapti nelaimingų atsitikimų ir sužeidimų, net mirtinų, priežastimi.

Jei stiklas pradeda rasoti, patepkite vidinį jo paviršių SCUBAPRO tirpalu nuo rasoavimo (P/N 24.090.000), tada kruopščiai išskalaukite kaukę vandenyje (jei kaukė nauja, šį veiksmą pakartokite tris kartus).

Niekada nenaudokite tirpiklių ar valiklių, tokių kaip alkoholis ir pan.. Jei reikia, naudokite tik skystą muilą.

ĮSPĖJIMAS

Prieš nardymą rekomenduojama užsidėti įrangą ir visą veidą dengiančią kaukę dar būnant paviršiuje.

4.2 Nardymas

Prieš užsidėdami FM2/MK25EVO/S620Ti, apžiūrėkite ją ir įsitikinkite, kad visos dalys būtų optimalios būklės nardymui.

Patikrinkite visas sagtis, dirželius, antrosios pakopos tvirtinimo įtaisus, rėmą ir kaukę.

Užsidėkite kaukę ir patikrinkite, ar nėra aprasojusi ir ar galite išlyginti slėgį.

ĮSPĖJIMAS

Nardykite tik prieš tai patikrinę, ar įranga ir FM2/MK25EVO/S620Ti yra geros būklės ir tinkamai veikia.

Pastebėję defektą, pažeidimus ar atliktus pakeitimus, nedelsdami kreipkitės į SCUBAPRO įgaliotąjį techninės priežiūros specialistą.

ĮSPĖJIMAS

Nešokite į vandenį veidu, nukreiptu į apačia, nemeskite kaukę ant jokio aštraus daikto: dėl stipraus smūgio gali dužti stiklai, todėl naudotojas gali būti sužalotas.

Atlikę pirminius patikrinimus, užsidėkite kaukę FM2/MK25EVO/S620Ti prisitaikydami penkių dirželių ilgį ir kiekvieną iš šių penkių dirželių suveržkite atskirai, po truputį traukdami už jų galo, kol kaukė optimaliai priglus prie veido. (5.1 pav.)

Norėdami greičiau sureguliuoti reikiamą ilgį, galite laikinai ištraukti dirželių galus iš kilpų.

Norėdami atlaisvinti arba nuisinti kaukę, truputį pakelkite sagties fiksatorius, tuo pat metu traukdami atitinkamus apatinius dirželius (5.2 pav.).(5.2 pav.).

ĮSPĖJIMAS

Nardant laisvuoju stiliumi didesniame nei 2 metrų gylyje slėgis spaudžia kaukę prie veido.

Jei naudojate sertifikuotą konfigūraciją, kad išvengtumėte problemų, tereikia kvėpuoti normaliai.

ĮSPĖJIMAS

Norėdami išvengti pavojingos sveikatos būklės - ausies būgnelio sprogdimo nardant, pirštais suspauskite nosį ir pūskite orą užčiaupta burna, kad jis patektų į vidinę ausies būgnelio sienelės pusę.

Būdami paviršiuje galite naudoti ant kaukės esantį vandens paviršiaus oro įsiurbimo vožtuvą, atsukdami srieginį kamštelį (1-B pav.) ir kvėpuoti atmosferos oru nenaudodami oro iš balionų.

Prieš nardydami visiškai užsukite kamštelį atgal, kad kaukė vėl būtų sandari.

ĮSPĖJIMAS

Prieš nardydami įsitikinkite, kad plaukimui paviršiu oro įsiurbimo vožtuvus uždarytas, o kaukė sandariai prigludusi, kad į ją nepatektų vanduo ir neužlietų kaukės.

ĮSPĖJIMAS

SCUBAPRO rekomenduoja visada turėti atsarginę gelbėjimo sistemą: visą reguliatorių su pirmąja ir antrąja pakopomis, neprijungtą prie FM2/MK25EVO/S620Ti kaukės ar pan.

SCUBAPRO taip pat rekomenduoja su savimi turėti atsarginę kaukę.

⚠️ ĮSPĖJIMAS

Nardant negalima nusiimti ir vėl užsidėti FM2. Jei reikia nuimti FM2 esant po vandeniu, atgal jo nesidėkite. Naudokite atsarginę kaukę ir reguliatorius ir nedelsdami pradėkite kilti aukštin.

5. PRIEŽIŪRA, KAI NENAUDOJATE

Po kiekvieno nardymo kaukę kruopščiai nuplaukite švariu vandeniu, ypač jei nardėte chloruotame vandenyje.

⚠️ ĮSPĖJIMAS

Ypač jei naudojote FM2/MK25EVO/S620Ti užterštame vandenyje, būtina jį kruopščiai nuplaukite ir išvalykite.

5.1 Dezinfekavimas

SCUBAPRO rekomenduoja naudoti „McNett Revivex“ valiklį. Naudokite laikydamiesi ant pakuotės aprašytų veiksmų ir skiedimo santykio.

⚠️ ĮSPĖJIMAS

Nenaudokite tirpiklių ar ploviklių, pvz., alkoholio ir pan.

5.2 Laikymas

Palikite džiūti vėsioje, nuo saulės spindulių apsaugotoje vietoje, padėdami ją taip, kad nuo jos nutekėtų vanduo.

Išdžiūvusią kaukę laikykite sausoje vietoje, kambario temperatūroje, atokiau nuo saulės spindulių.

TEMPERATŪROS RIBOS -10°C / 60°C

6. PRIEŽIŪRA

Veiksmus, kurie neaprašyti šiame vadove, turi atlikti ne naudotojas, o kvalifikuotas ir įgaliotasis SCUBAPRO specialistas

SCUBAPRO įgaliotasis specialistas turi kas 2 metus patikrinti FM2 kaukę. Jei norite neprarasti garantijos, privalote atlikti kapitalinį remontą. Apie su reguliatoriais susijusią techninę priežiūrą skaitykite SCUBAPRO reguliatorių vadove.

Žr. „Johnson Outdoors“ garantijos sąlygas. Priežiūros darbus gali atlikti SCUBAPRO įgaliotieji prekybos atstovai, žymimi ženklu SELECTED DEALER SCUBAPRO arba nurodyti svetainėje www.scubapro.com

1. تحذيرات هامة



تحذير

يجب أن يتم قراءة الكتيب هذا كله وفهمه قبل استخدام المنتج. ننصح أن تحتفظ بهذا الكتيب أثناء عمر المنتج.



تحذير

عند الغوص يجب أن تتبع القوانين وتطبق المهارات التي تعلمتها من منظمة تأهيل غوص معترف بها. قبل المشاركة في أي نشاط غوص، من الضروري أن تكون قد أكملت بنجاح دورة غوص سكوبا تغطي الجوانب النظرية والتقنية للغوص ببنجاح كامل الوجه.



تحذير

لا يبدل هذا الكتيب دورة تدريب الغوص!



تحذير

لمزيد من التفاصيل حول ميزات ومواصفات واستخدام وصيانة منظم التنفس MK25EVO/S620Ti، يُرجى الرجوع إلى دليل منظمات التنفس من SCUBAPRO.

2. التأهيل الأوروبي

يُشكل قناع الوجه FM2 ومنظم الضغط FM25EVO/S620Ti معاً قناع الوجه الكامل FM2/MK25EVO/S620Ti. حصل قناع الوجه الكامل FM2/MK25EVO/S620Ti على الشهادة الأوروبية وفقاً للقواعد الأوروبية التي تنظم شروط طرح معدات الحماية الشخصية (PPE) من الفئة الثالثة في السوق ومتطلبات السلامة الأساسية لها. صدرت هذا الشهادة من قبل هيئة RINA المعتمدة، وذلك باستخدام طرز منظمات الغوص SCUBAPRO فقط المدرجة في هذا الدليل. تم إجراء اختبارات الاعتماد وفقاً للمعيار المنسق EN250:2014 لضمان الامتثال للمتطلبات الأساسية للصحة والسلامة التي حددها التنظيم الأوروبي EN250:2014. تشير علامتا CE و EN250 إلى المنتج إلى الامتثال لهذه المتطلبات. الرقم 0474 هو رقم تعريف هيئة RINA. الكاتبة في 12، 16128 Via Corsica، جنوة (GE) إيطاليا، وهي الهيئة المعتمدة التي تقوم بتقييم الامتثال ومراقبة الإنتاج، وفقاً للوحدتين B و D، EN425/2016. قيمة الضغط 3000 بار المبنية على المرحلة الأولى تبين أقصى ضغط لمعدات الوقاية الشخصية. الشركة المصنعة لجهاز FM2/MK25EVO/S620Ti هي شركة SCUBAPRO EUROPE s.r.l. ومقرها في (Via Tangoni 16، 16030 Casarza Ligure (GE) بإيطاليا، SCUBAPRO EUROPE s.r.l. هي نظام إدارة الجودة مؤهلة من منظمة RINA وفقاً للمعيار ISO9001:2015.

2.1 المعيار الأوروبي EN 250:2014 - المعنى والمتطلبات

تهدف المتطلبات والاختبارات المحددة في المعيار الأوروبي EN 250:2014 إلى ضمان الحد الأدنى من مستويات السلامة أثناء تشغيل أجهزة التنفس تحت الماء، في أوروبا، يحدد المعيار الأوروبي EN 250:2014 المتطلبات التقنية الدنيا التي يجب أن تفي بها أجهزة الغوص، وهو أحدث إصدار من معيار EN250.

2.2 القيود التي يفرضها معيار EN250:2014

يمكن أن يتكون جهاز الغوص من مكونات منفصلة مثل: أسطوانة(ات) غاز، ومنظم(ين) للضغط، ومقياس ضغط، وقناع وجه. ويقتصر استخدام جهاز الغوص تحت الماء فقط. يتكون قناع الوجه الكامل FM2/MK25EVO/S620Ti من قناع وجه مدمج مع منظم للتنفس، وبالتالي فهو معدات حماية شخصية تحمي العينين من ملامسة الماء والجهاز التنفسي من تأثيرات الضغط، وتوفر هواء للتنفس تحت ظروف الاستخدام اللازمة أثناء الغوص. يمكن استخدام جهاز FM2/MK25EVO/S620Ti مع مكونات أجهزة الغوص المعتمدة وفقاً للتنظيم الأوروبي EN 250:2014 / 425/EU 2016 والمعيار الأوروبي EN 250:2014. ويجب أن يمثل الهواء المحتوى في الأسطوانات مع متطلبات الهواء القابل للتنفس المبنية في المعيار EN12021، والعمق المأمّن هو 50 متراً (164 قدماً)، وبأي حال، يجب على الغواصين أن يتصلوا بالحدود التي تنصها القوانين المحلية في موقع الغوص.

هام

تشير الشهادة الأوروبية لمعدات الوقاية الشخصية FM2/MK25EVO/S620Ti إلى المنتج الكامل الذي يتكون من:

- 1) قناع وجه FM2 SCUBAPRO.
- 2) مرحلة ثانية من نوع S620Ti مثبتة أمامياً على قناع الوجه FM2 ومتصلة بمرحلة أولى واحدة من نوع MK25EVO.



تحذير

تم اعتماد قناع الوجه FM2 فقط مع موديلات منظمات التنفس المحددة في هذا الدليل، والتي تم إجراء اختبارات الاعتماد الأوروبية عليها، وفقاً للمعيار EN250:2014. استخدام FM2 مع منظمات تنفس أخرى خارج نطاق الشهادة.



تحذير

أي تغيير في تكوين قناع الوجه FM2/MK25EVO/S620Ti غير مدرج في التكوين الأوروبي المعتمد كما هو موضح في هذا الدليل، بما في ذلك على سبيل المثال ظروف الضغط المنخفض المرفق مع المنظم، يؤدي إلى فقدان الامتثال لمعيار الاعتماد الأوروبي.

يعتمد الحد الأقصى لضغط التشغيل على نوع توصيلة منظم التنفس MK25 EVO/S620Ti المستخدم، 300 بار لوصلة DIN و 232 بار لوصلة INT، وفقاً للعلامات الموجودة على المرحلة الأولى. يرجى الرجوع إلى دليل منظمات الغوص SCUBAPRO للحصول على مزيد من التفاصيل الفنية والمعلومات حول المنظم. حُدّد جهاز FM2/MK25EVO/S620Ti للاستخدام في المياه الباردة، أي بدرجات حرارة أقل من 10 درجة مئوية (50 درجة فهرنهايت).

2.2.1 الأخطبوط (جهاز تنفس احتياطي طارئ)

يعتبر الأخطبوط عادةً مرحلة ثانية إضافية طارئة ليستخدمها الغواص عند الحاجة (مثل تعطل المرحلة الثانية الرئيسية).

تحذير

لا يمكن استخدام جهاز الغوص إلا إذا كان مطابقاً لمعيار EN250:2014 مع منظم تنفس عليه علامة "EN250A" أو "EN250A>10°C" كجهاز إنقاذ من قبل أكثر من غواص في نفس الوقت.

تحذير

إذا تم تكوين جهاز الغوص واستخدامه من قبل أكثر من غواص في نفس الوقت، فلا يجوز استخدامه على أعماق تزيد عن 30 مترًا وفي درجات حرارة مياه أقل من 4 درجة مئوية إذا كان عليه علامة "EN250A"، وأقل من 10 درجة مئوية إذا كان عليه علامة "EN250A>10°C".

يمكن العثور على علامة EN250A على المرحلة الأولى والثانية لمنظم MK2SEVO/S620Ti. قناع الوجه FM2 يحمل علامة EN250.

2.3 ملاحظات هامة

لحمايتك أثناء استخدام معدات مساندة الحياة من SCUBAPRO سنجدب انتباهك للنّاتّي:

1. استخدم المعدات وفقًا للتعليمات المحتوية في الكتيب هذا و فقط بعد قراءتها كليا وفهم كل التعليمات والتحذيرات.
2. يقتصر استخدام المعدات على الاستخدام الموصوف في الكتيب هذا أو الاستخدامات التي وافقت عليها SCUBAPRO خطيا.
3. يجب ملء الأسطوانات فقط بالهواء المضغوط الجوي، وفقًا للمعيار الأوروبي EN 12021. إذا وجدت رطوبة في الأسطوانات، فإضافة لتسبب تآكل الأسطوانات، فقد يسبب التجمد والتصلب للمنظم أثناء غوصة في ظروف باردة (أي أقل من 10 مئوي (50 فهرنهايت)). يجب أن يتم نقل الأسطوانات وفقًا للقوانين المحلية لنقل البضائع الخطيرة. يخضع استخدام الأسطوانات للقوانين التي تحكم استخدام الغازات والهواء المضغوط.
4. يجب أن يتم إصلاح المعدات من قبل فني SCUBAPRO معتمد بالتردد المحدد.
5. يجب أن يتم توثيق أعمال الصيانة، وعند إجراء الصليحات وأثناء الصيانة، يجب أن يتم استخدام قطع غيار SCUBAPRO فقط.
6. إذا تم صيانة أو تصليح المعدات بدون الامتثال مع الإجراءات التي وافقت عليها SCUBAPRO أو بواسطة أشخاص غير مؤهلين بواسطة SCUBAPRO أو إذا تم استخدامها بطرق أو لأغراض غير تلك المحددة فتنتقل المسؤولية على عمل المعدات الصحيح والسليم للمالك/المستخدم.
7. يجب أن يتم تحفظ كل الغواصات حتى بنهاية الغوصة يكون لدى الغواص احتياطيًا معقولًا من الهواء للاستخدام الطارئ، والمقدار المقترح عادة هو 50 بار (725 لكل بوصة مربعة).
8. إذا كان سيتم استخدام معدات الغوص في المياه الباردة (درجة حرارة أقل من 10 درجة مئوية (50 درجة فهرنهايت))، فمن الضروري استخدام منظم مناسب لمثل هذه درجات الحرارة.

تحذير

يتطلب الغوص بالماء البارد معدات وأساليب خاصة. قبل الغوص بالماء البارد، ننصح أن تحصل على التدريب المناسب من منظمة تدريب معترف بها.

9. محتوى الكتيب هذا يعتمد على أحدث المعلومات المتوفرة بوقت الطباعة. تحفظ SCUBAPRO الحق لتغييره بأي وقت.
- ترفض SCUBAPRO كل المسؤولية للأضرار التي يسببها عدم الامتثال مع التعليمات المحتوية في الكتيب هذا. لا تمدد هذه التعليمات الضمان أو المسؤوليات المذكورة في شروط مبيعات SCUBAPRO وتسليمها.
- للمفاظ على الضمان يجب أن يقوم بالصيانة فني SCUBAPRO مؤهل وان يتم حفظ سجلات الصيانة. للمعلومات، اتصال بوكيل SCUBAPRO مخول.

3. الخصائص العامة

تحذير

قناع الوجه FM2 معتمد للاستخدام فقط مع موديلات منظمات التنفس المحددة في هذا الدليل والتي استوفت متطلبات معيار السلامة الأوروبي EN250:2014. إن التكوينات الوحيدة المعتمدة من طراز MK2SEVO/S620Ti مع معيار FM2 هي تلك المزودة بطرايح SCUBAPRO القياسية بطول 75 سم، دون وجود وصلات دوارة أو زوايا إضافية.

يسمح صمام سحب الهواء السطحي (الشكل -1ب)، من خلال فتح الصمام، بتجنب استهلاك إمداد الهواء المقيد للغوص: بيساطة أغلق صمام سحب الهواء السطحي للوقت السطحي لبداية التنفس من المرحلة الثانية وبدء الغوص.

يحتوي قناع الوجه FM2 على صمام تنصريف للمياه أسفل الذقن، لتنصريف المياه بشكل فعال وطبيعي بشكل خاص. التكوين الأصلي والمعتمد مجهز بأنبوب حماية لصمام التنصريف (الشكل -1ج). يمنع هذا الأنبوب التدفق الحر من المرحلة الثانية أثناء الغوص، الناتج عن فرق الضغط الهيدروستاتيكي الناتج، في ظل ظروف معينة، عن الموضع النسبي لمصدر الهواء.

تحذير

إن إزالة أنبوب حماية صمام تنصريف المياه بعد تعديلاً على التكوين المعتمد ويعني فقدان الامتثال لمعايير السلامة الأوروبية.

تحتوي قناع FM2 على وصلات لتجميع الملحقات، بما في ذلك كمبيوتر الغوص SCUBAPRO HUD (تتوفر مجموعات لتجميع الملحقات بشكل منفصل). للحصول على تفاصيل حول الميزات والاستخدام، يرجى الرجوع إلى قسم الاستخدام.

4. الاستخدام

4.1 التحضير للغوص - تحذيرات هامة قبل الاستخدام

على الجزء الأمامي من القناع يمكن العثور على الوصلة المصممة لاستيعاب المرحلة الثانية.

مجموعة المكونات اللازمة لتوصيل المرحلة الثانية مجمعة بالفعل على هذه الوصلة (الشكلان 1 و 2).
تتكون هذه المجموعة، المبريطة على الجسم (D)، من حلقة (A) وغسالة (E) ومسافة (G) وكم مطاطي (F).

لتجميع المرحلة الثانية، اتبع الخطوات التالية.

إزالة الفوهة من المرحلة الثانية بعد فتح الشريط الذي يثبتها في مكانها.

قم بتركيب الحلقة (أ) بالكامل، مع الاحتفاظ بالمكونات الثلاثة، الحلقة (أ) والمسافة (ج) والكم (ف) مجمعة مسبقاً كما في الشكل 3.1. بينما تظل الغسالة (هـ) في مكانها على الجسم (د).

تأكد من تركيب الغسالة (هـ) بحيث تكون الضلعان المختومتان متجهتان إلى المطاط في التنانير (التكبير 2.1).

أدخل المرحلة الثانية داخل الكم المطاطي (ف).

ثم استخدم الشريط المرفق (ح) لتأمين المرحلة الثانية في الكم المطاطي الذي يتم إدخال المرحلة الثانية فيه، مع التأكد من شدها بشكل كافٍ.

أعد تجميع الوحدة بالكامل على قناع الوجه، وقيم بلف الحلقة (أ) وشدها بالكامل لضمان الاتصال الآمن للمجموعة بأكملها (الشكل 4)، مع التأكد من أن الجسم لا يدور أثناء الف، مع التحقق من أن المثلث الصغير المرئي على الجزء الخلفي من الجسم (د) يظل مواجهًا للأعلى كما في الشكل 3.2.

تحذير

عند إجراء عمليات التجميع الأولية، تأكد دائماً من شد مجموعة توصيل المرحلة الثانية والحزام المرفق الذي يثبت المرحلة الثانية نفسها بشكل صحيح.
قد يؤدي الفشل أو الشد غير الصحيح إلى عواقب وخيمة للغاية أثناء الغوص، مثل الحوادث والإصابات، وقد تصل إلى حد الوفاة.

إذا بدأت العدسة في الضباب، فاستخدم محلول إزالة الضباب من SCUBAPRO (رقم الصنف 24.090.000) على السطح الداخلي، ثم اشطف القناع جيداً بالماء (كرر هذه العملية ثلاث مرات إذا كان القناع جديداً).

لا تستخدم أبداً محاليل أو منظفات مثل الكحول وما إلى ذلك. إذا لزم الأمر، استخدم الصابون السائل فقط.

تحذير

ينصح بارتداء المعدات وقناع الوجه الكامل على السطح قبل الغوص.

4.2 الغوص

قبل ارتداء قناع الوجه FM2/MK25EVO/S620Ti، تحقق من جميع الأجزاء للتأكد من أنها في حالة مثالية للغوص.

افحص جميع المشابك والأشرطة وملحقات المرحلة الثانية والإطار وقناع الوجه.

أليس القناع وتحقق من عدم وجود ضباب ومن قدرتك على معادلة الضغط.

تحذير

لا تفص إلا إذا كنت قد تحققت أولاً من الحالة الجيدة الأداء الصحيح للمعدات ووظيفة قناع الوجه FM2/MK25EVO/S620Ti.
إذا لاحظت أي عيوب أو أضرار أو عيب، اتصل على الفور بيفي صيانة معتمد من SCUBAPRO.

تحذير

لا تقفز في الماء ووجهك لأسفل ولا تسقط القناع على أي جسم حاد؛ فقد يؤدي التأثير القوي إلى كسر العدسات مما يتسبب في إصابة المستخدم.

بمجرد الانتهاء من الفحوصات الأولية، ارتد قناع الوجه FM2/MK25EVO/S620Ti عن طريق ضبط الأطراف الخمسة للأشرطة، ثم شد الأشرطة الخمسة بشكل فردي عن طريق سحب كل طرف قليلاً قليلاً حتى تصل إلى الضغط الأمثل للقناع على وجهك. (الشكل 5.1)

لتسهيل الضبط، يمكنك إزالة أطراف الأشرطة مؤقتاً من حلقاتها.

لفك أو إزالة القناع، رفع أسنة المشبك قليلاً مع سحب الأشرطة السفلية المقابلة (الشكل 5.2).

تحذير

فوق عمق مترين (6 أقدام)، في الغوص الحر، يدفع الضغط القناع ضد الوجه.
عند استخدامه في تكوين معتمد، يكفي التنفس بشكل طبيعي لتجنب المشاكل.

تحذير

لتجنب حالة طلبة الأذن المكسورة أثناء الغوص، اضغط على أنفك بأصابعك وانفخ مع إغلاق فمك لدفع الهواء إلى داخل جدار طلبة الأذن.

أثناء التوقف على السطح، يمكنك استخدام صمام تنفس الهواء السطحي الموجود على القناع عن طريق فك السدادة المسطرة (الشكل 1-أ) لتنفس الهواء الجوي دون استخدام الهواء من الأسطوانات.

قبل الغوص، أعد تثبيت السدادة بالكامل لإغلاق القناع مرة أخرى.

تحذير

قبل الغوص، تأكد من إغلاق صمام سحب الهواء للاستخدام السطحي وأن القناع محكم الغلق لمنع دخول الماء وغمر القناع.

تحذير

توصي SCUBAPRO دائماً بوجود نظام احتياطي للطوارئ متاح؛ منظم كامل مع المرحتين الأولى والثانية غير متصل بقناع FM2/MK25EVO/S620Ti. وما إلى ذلك.
توصي شركة SCUBAPRO أيضاً بحمل قناع احتياطي معك.

تحذير 

لا يمكن خلع قناع FM2 وإعادة ارتدائه أثناء الغوص. إذا كان من الضروري خلع قناع FM2 تحت الماء، فلا تعيد ارتدائه. استخدم قناع ومنظفات هواء احتياطية وابدأ الصعود فوراً.

5. العناية بالمنظفات عند عدم الاستخدام

اغسل القناع جيداً بالماء العذب بعد كل غوص، خاصة إذا تم الغوص في ماء مكلور.

تحذير 

لا سيما إذا تم استخدام قناع FM2/MK25EVO/S620Ti في مياه ملوثة، تأكد من شطفه وتنظيفه جيداً.

5.1 التعقيم

تصح SCUBAPRO باستخدام منظف من نوع MCNet Revivex. استخدمه وفقاً للتعليمات والحل كما هو موصوفاً على العبوة.

تحذير 

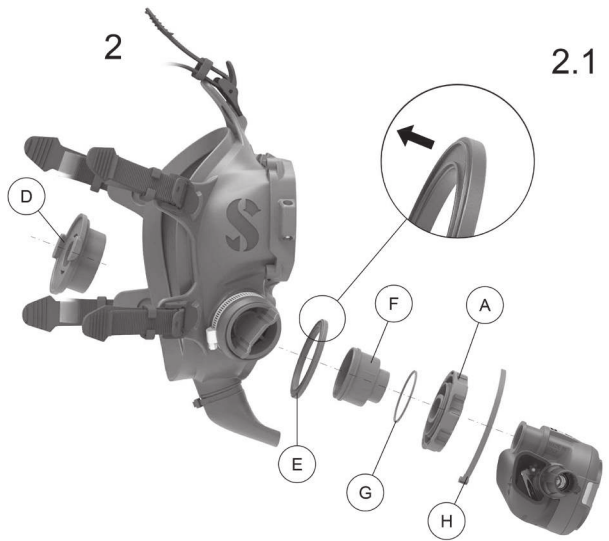
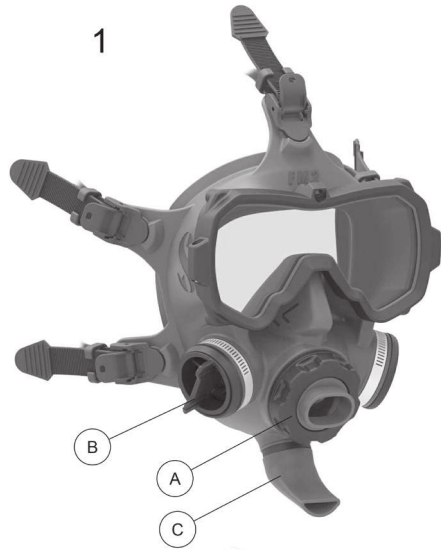
لا تستخدم المذيبات أو المنظفات مثل الكحول وما إلى ذلك.

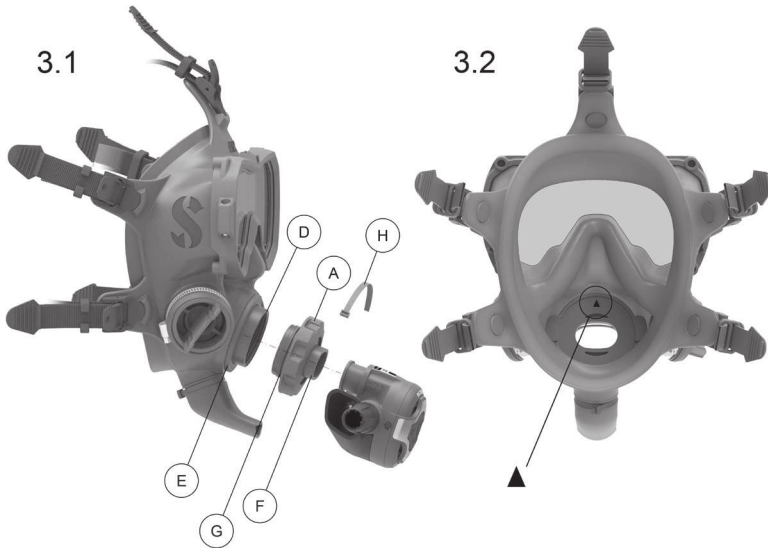
5.2 التخزين

ترك القناع يجف في مكان بارد بعيداً عن أشعة الشمس، مع وضعه بحيث يتم تصريف المياه. بمجرد تجفيفه، قم بتخزين القناع بعيداً عن أشعة الشمس في مكان جاف في درجة حرارة الغرفة. حدود درجات الحرارة: 10- درجة مئوية / 60 درجة مئوية

6. الصيانة

يجب ألا يقوم المستخدم بإجراء عمليات أخرى غير الموضحة في هذا الدليل، بل يجب أن يقوم بها فني مؤهل ومُصرح له من قبل SCUBAPRO. يجب أن يتم صيانة قناع الوجه FM2 بواسطة فني مُصرح له من قبل SCUBAPRO مرة كل سنتين. يُعدّ الفحص الشامل إلزامياً للحفاظ على الضمان. للحصول على الصيانة المتعلقة بمنظفات التنفس، يُرجى الرجوع إلى دليل منظفات التنفس من SCUBAPRO. يرجى مراجعة شروط ضمان Johnson Outdoors. تتوفر الصيانة من خلال وكيل SCUBAPRO المخول والتي يتميز بعلامة وكيل SCUBAPRO المحدد أو بزيارة موقع www.scubapro.com.





4

