

SERVICE PART KIT DIVATOR MASK - BREATHING VALVE - 460 200 503

THE SERVICE PART KIT

This service part kit is intended for component level maintenance of the DIVATOR Full Face Mask (FMM) and the Breathing valve.

The service part kit contains the required soft rubber parts that are listed below.

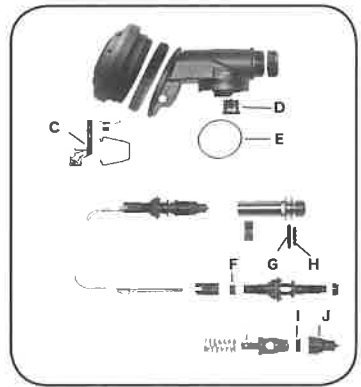
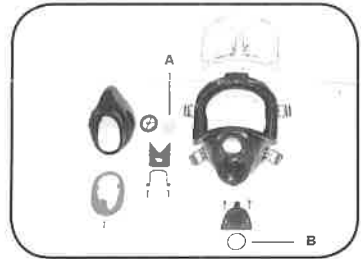
The replacement of the parts shall be done according to the instructions in the DIVATOR Service and Repair manual for the DIVATOR Full Face Mask unit - IS-document # 30 930 - DIVATOR Service and Repair manual.

NOTE!

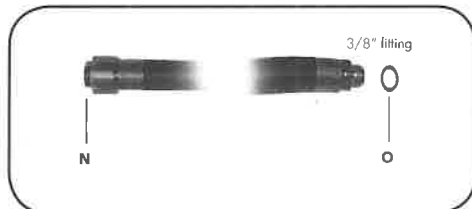
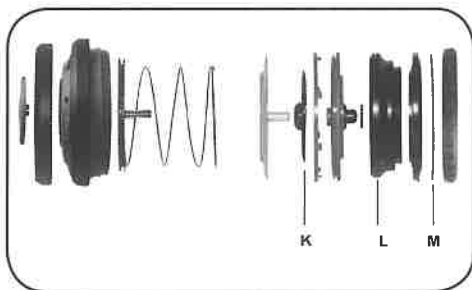
Service on the Divator Full Face Mask and Breathing valve shall only be carried out by a qualified service technician carrying a valid Interspiro service certificate.

SERVICE PART KIT CONTENTS

- Non-return valve disc (A)
Consist of 2 x 331 100 791
- O-ring for the Cover assy (B)
Consists of 1 x 944 610 221
- O-ring, Lever assy.(C)
Consists of 1 x 336 900 001
(to be used for Safety pressure and Octopus valve only)
- Non-return valve assy.(D)
Consists of 1 x 336 190 332
- O-ring, mask connection (E)
Warning: This O-ring must not be fitted to a breathing valve with a mouthpiece
Consists of 1 x 336 900 008
- Sealing sleeve (F)
Consists of 1 x 336 100 019
- O-ring, inner (G)
Consists of 1 x 331 900 064
- O-ring, outer (H)
Consists of 1 x 99 486-01
- Balancing diaphragm (I)
Consists of 1 x 331 100 641
- Valve cone assy. (J)
Consists of 1 x 336 190 064



- Exhalation diaphragm, natural rubber (K)
(as per Product Bulletin 30417A01, January 2009)
Consists of 1 x 30 005-01
- Diaphragm (L)
Consists of 1 x 336 100 009
- O-ring (M)
Consists of 1 x 336 900 009
- O-ring (N)
Consists of 1 x 944 610 206
- O-ring (O)
(for Regulator Hose 3/8" Fitting) *
Consists of 1 x 336 900 099



INTERSPIRO

www.interspiro.com

CENTRAL EUROPE

AUSTRIA

INTERSPIRO GesmbH www.interspiro.de
Feldbacher Str. 3 A-8200 GLEISDORF AUSTRIA
TEL +43 (0)311 236 133 FAX +43 (0)311 236 133 22 E-MAIL info@interspiro.de

GERMANY

INTERSPIRO GmbH www.interspiro.de
Postfach 1220 D-76691 FORST/BADEN GERMANY
TEL +49 (0)7251 8030 FAX +49 (0)7251 2298 E-MAIL info@interspiro.de

SWITZERLAND

INTERSPIRO AG www.interspiro.de
Güterstraße 47 CH-4133 PRATTELN SWITZERLAND
TEL +41 61 827 99 77 FAX +41 61 827 99 70 E-MAIL info@interspiro.ch

THE NETHERLANDS & BELGIUM

INTERSPIRO BV www.interspiro.nl
Operetteweg 35 NL-1323 VK ALMERE NETHERLANDS
TEL +31 (0)36 5363103 FAX +31 (0)36 5384809 E-MAIL info@interspiro.com

NORTH & SOUTH AMERICA

INTERSPIRO Inc. www.interspiro-us.com
10225 82nd Avenue PLEASANT PRAIRIE WI 53158-5801 USA
TEL +1 262 947 9901 FAX +1 262 947 9902 E-MAIL sales@interspiro-us.com

UNITED KINGDOM & IRELAND

INTERSPIRO Ltd. www.interspiro.com
7 Hawksworth Road Central Park TELFORD Shropshire TF2 9TU UNITED KINGDOM
TEL +44 (0)1952 200 190 FAX +44 (0)1952 299 805 E-MAIL info@interspiro.com

SCANDINAVIA, ASIA/PACIFIC & MIDDLE EAST

SWEDEN

NORDIC & EXPORT SALES DIVISION www.interspiro.com
Box 10060 S-181 10 LIDINGÖ SWEDEN
TEL +46 8 636 51 00 FAX +46 8 636 51 99 E-MAIL info@interspiro.com

MALAYSIA

NORDIC & EXPORT SALES DIVISION www.interspiro.com
305 & 305A Lorong Perak Taman Melawati 53100 KUALA LUMPUR MALAYSIA
TEL +60 3 4105 8122 FAX +60 3 4105 3122 E-MAIL asiapacific@interspiro.com