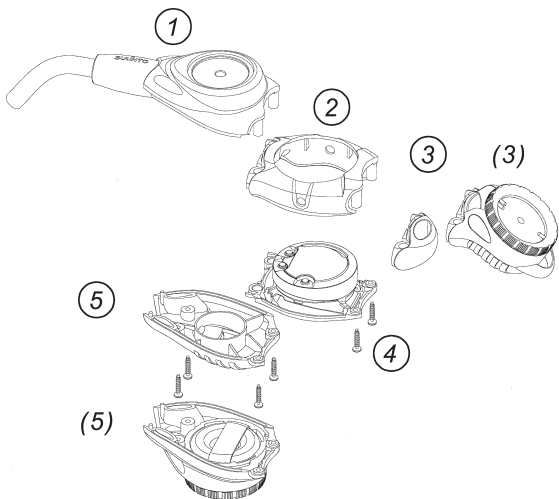


Assembling the Combo Modules

The Combo modules are to be assembled in the order described by the illustration below:



1. CB-One module front cover with SM-26/36 pressure gauge in place (see section CB-ONE Module assembly)
2. CB-In line module front cover
3. CB-end piece or CB-71 compass (optional)
4. CB-In line module back cover with instrument
5. CB-One module back cover or CB-71/DS compass (optional)