

## Specifications

For other materials or modifications, please consult TESCOM.

### OPERATING PARAMETERS

Pressure rating per criteria of ANSI/ASME B31.3

#### Maximum Inlet Pressure

**Stainless Steel Body (0.25" Orifice):** 10,000 psig / 690 bar

**Stainless Steel Body (0.375" Orifice):** 6000 psig / 414 bar

**Aluminum Body:** 6000 psig / 414 bar

**Brass Body:** 6000 psig / 414 bar

#### Outlet Pressure Ranges

To maximum inlet

#### Design Proof Pressure

150% maximum rated

#### Leakage

Bubble-tight

#### Operating Temperature

-40°F to 165°F / -40°C to 74°C

#### Flow Capacity

**0.25" Orifice:**  $C_v = 0.46$

**0.375" Orifice:**  $C_v = 1.30$



TESCOM 26-1100 Series is a dome load, high flow pressure reducing regulator.

### MEDIA CONTACT MATERIALS

#### Body

303 Stainless Steel, 316 Stainless Steel, Aluminum, or Brass

#### Diaphragm

Nitrile, Buna-N

#### O-Rings

Nitrile, Buna-N

#### Back-up Rings

PTFE

#### Seat

PCTFE

#### Retaining Ring

15-7 Stainless steel

#### Valve Cap

17-4 PH Stainless Steel

#### Remaining Parts

300 Series Stainless Steel

### OTHER

#### Cleaning

CGA 4.1 and ASTM G93

#### Weight (without gauges)

**Stainless Steel:** 10 lbs / 4.5 kg

**Aluminum:** 4 lbs / 1.8 kg

## Applications

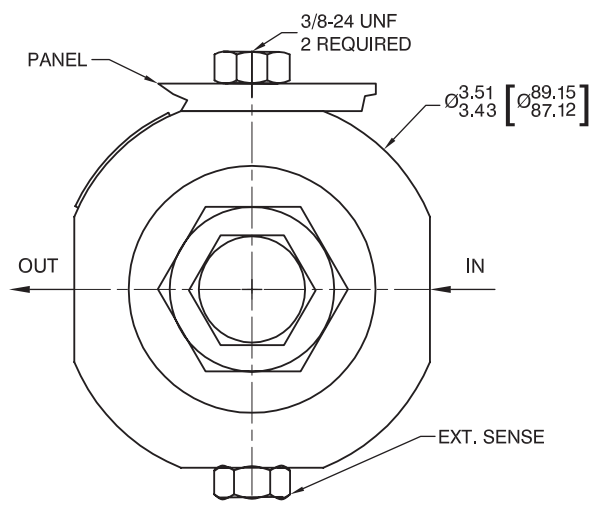
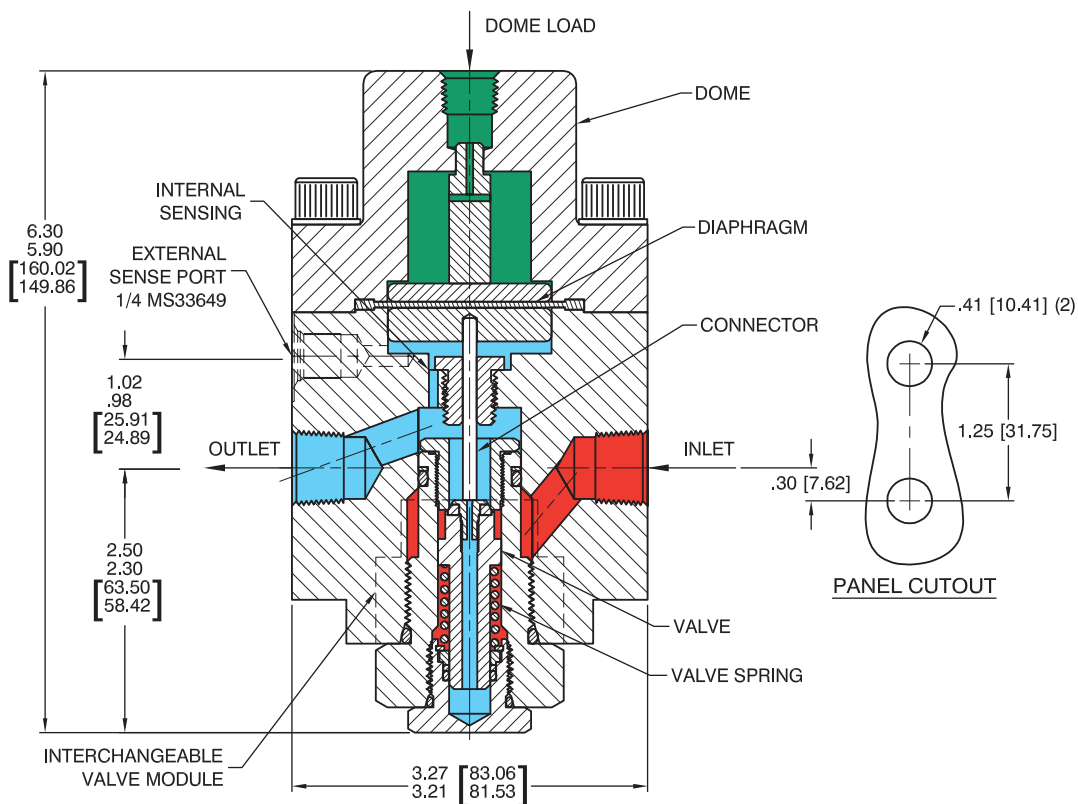
- Pneumatic test consoles
- R&D laboratories

## Features and Benefits

- Constant outlet pressures with variable inlet pressures
- Balanced main valve to reduce seat load which insures longer seat life
- Wide flow range capability
- Low droop; low lock-up
- Rapid response time
- Mounts in any position
- Two orifice sizes are available: 0.25" and 0.375" diameter

# 26-1100 SERIES

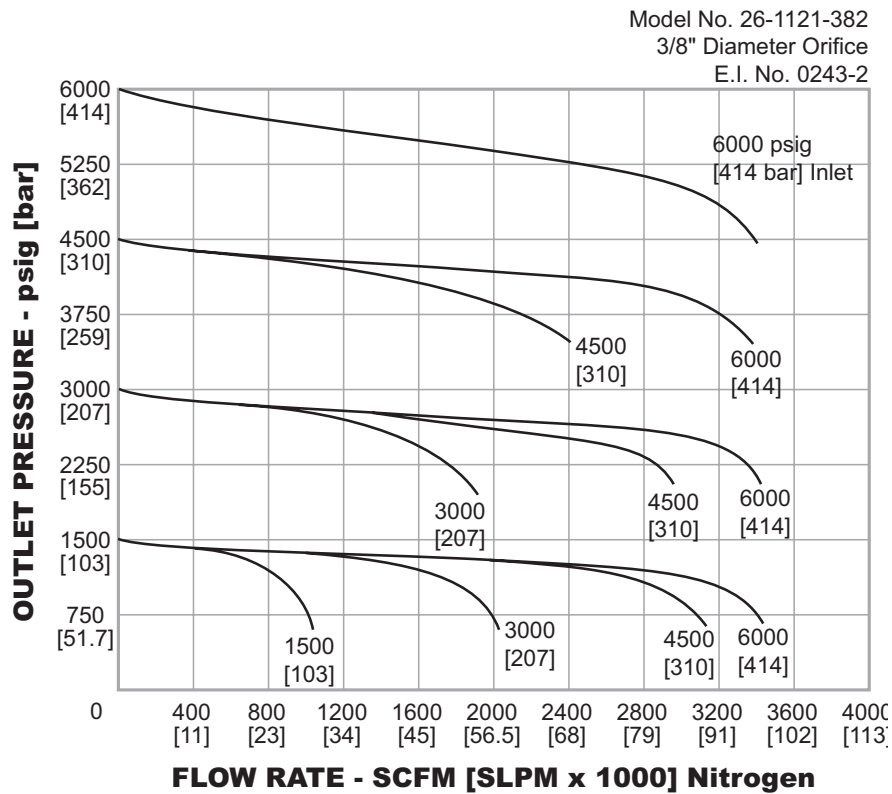
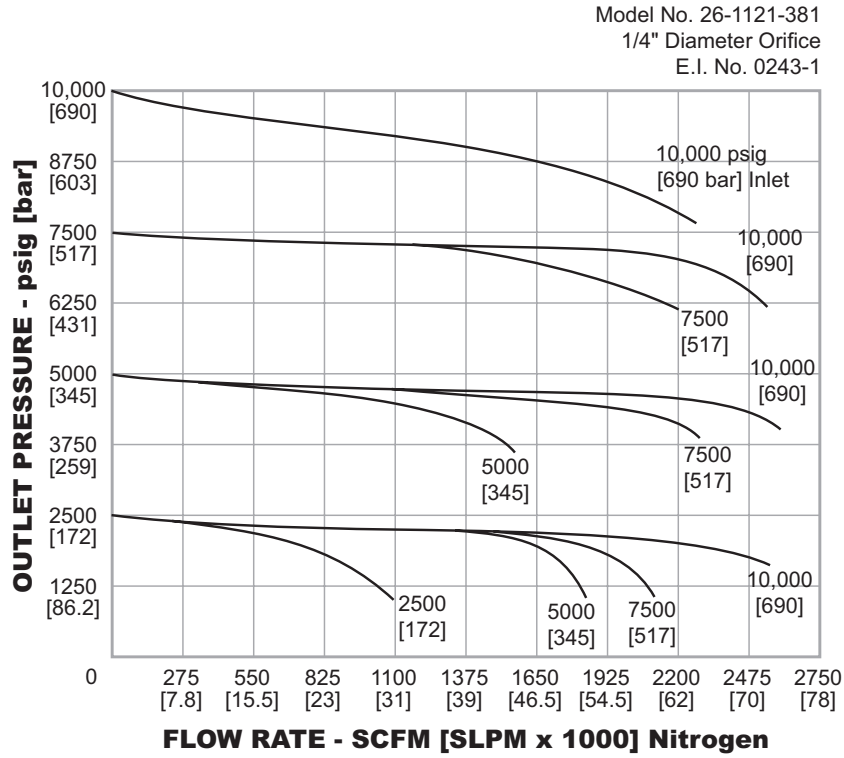
## 26-1100 Series Regulator Drawing



All dimensions are reference & nominal  
 Metric [millimeter] equivalents are in brackets

26-1100 Series Regulator Flow Charts

For more information on how to read flow curves, please refer to the Flow Curves and Calculations document (debul2007x012) in the TESCO catalog or on www.tescom.com.



# 26-1100 SERIES

## 26-1100 Series Regulator Part Number Selector

*Repair Kits, Accessories & Modifications may be available for this product. Please contact TESCOM for more information.*

Example for selecting a part number:

**26-11                    2                    1                    -                    3                    8                    1**

BASIC SERIES	BODY MATERIAL	LOADING METHOD	INLET AND OUTLET PORT TYPE	DOMES PORT	INLET AND OUTLET PORT SIZE	INNER VALVE SIZE
26-11	1 – Brass 2 – 303 Stainless Steel 3 – Aluminum 2024-T351 6 – 316 Stainless Steel	1 – Externally loaded	1 – SAE 2 – NPTF 3 – MS33649	1/4" MS33649 1/4" NPTF 1/4" MS33649	6 – 3/8" 8 – 1/2"	1 – 0.25" Orifice 2 – 0.375" Orifice