



Divator MKIII Regulator

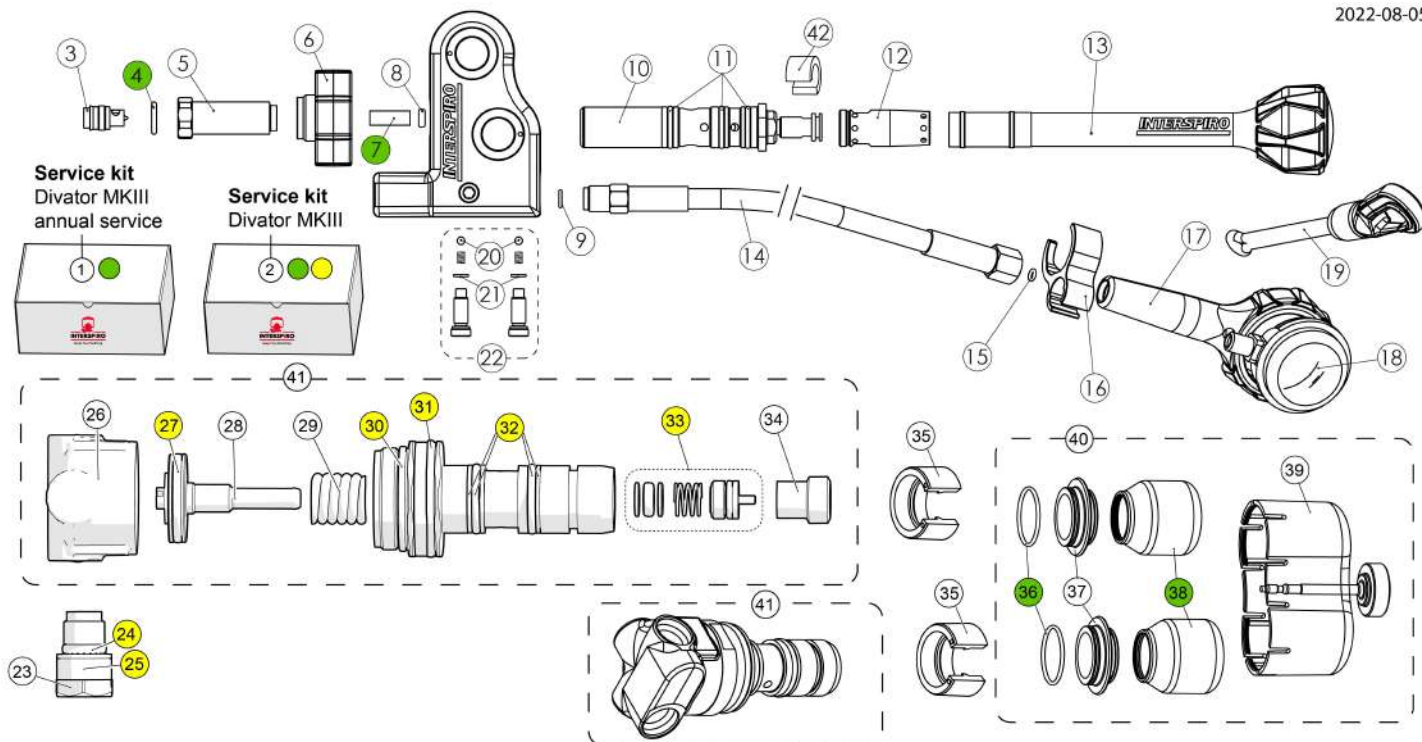
2025 September

READ BEFORE USE

1. Only holders of a valid Interspiro Service Certificate may carry out service and repairs on Interspiro breathing equipment. Unauthorized service may result in malfunction and users relying thereon could sustain severe respiratory injury or death.
2. When using the spare part list always refer to the equipment's Service manual in regard to procedures and handling of the spare parts assembly and function.
3. Changes to this document – necessitated by typographical errors, inaccuracies of current information or improvements and changes of equipment – may be done at any time and without prior notice. Always refer to the Interspiro webpage for the latest version.
4. The description defines if the spare part is a multi-pack, e. g. "10 x 336100437" indicates that this is a multi-pack that consists of 10 pieces of the single component 336100437. The single component part number 336100437 can not be ordered, it is only used to label parts included in service kits.
5. The service kits contain replacement items used for preventive maintenance.
6. Always refer to the Interspiro webpage for product and document updates and important notices.

Spare Parts MKIII regulator unit

2022-08-05



Spare Parts MKIII regulator unit

Position	Item number	Description
1	460190717	Service kit Divator MKIII annual service
2	460200518	Service kit Divator MKIII regulator unit
3	460190382	Sealing nipple
4	336190272	O-ring, 10 x 331100767
5	460190383	Connection nipple
6	88178-51	Handwheel G5/8"
7	346190643	Inlet filter, 10-pack (10 x 212100014)
8	336190232	O-ring, 10 x 336900044
9	336190221	O-ring, 10 x 944610204
10	88120-51	CDR valve insert
11	346190021	O-ring, 10 x 346900001
12	88113-52	Bend protection - Replaces 88113-51
13	88111-51	CDR Valve handle
14	460190724	High pressure hose (75 cm)
15	336190235	O-ring, 10 x 944610201
16	88115-51	Octopus holder, yellow, 5 x 88115-01
17	99266-54	Pressure gauge cover, diving with hole for holder strap
18	99265-51	Pressure gauge, diving, bar
19	88139-52	Holder cord with hook
20	96599-53	Ball, 4 mm 10-pack
21	88137-51	O-ring, 10 x 88137-01
22	460190758	Mounting kit warning valve
23	30660-51	Relief Valve Assy UNF 3/8 MK III RNLN
24	336190311	O-ring, 10 x 944610206
25	346190053	Protective band, 10-pack (10 x 346100066)

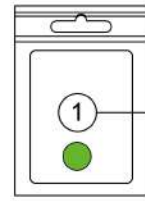
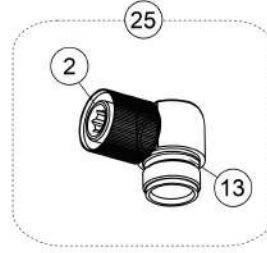
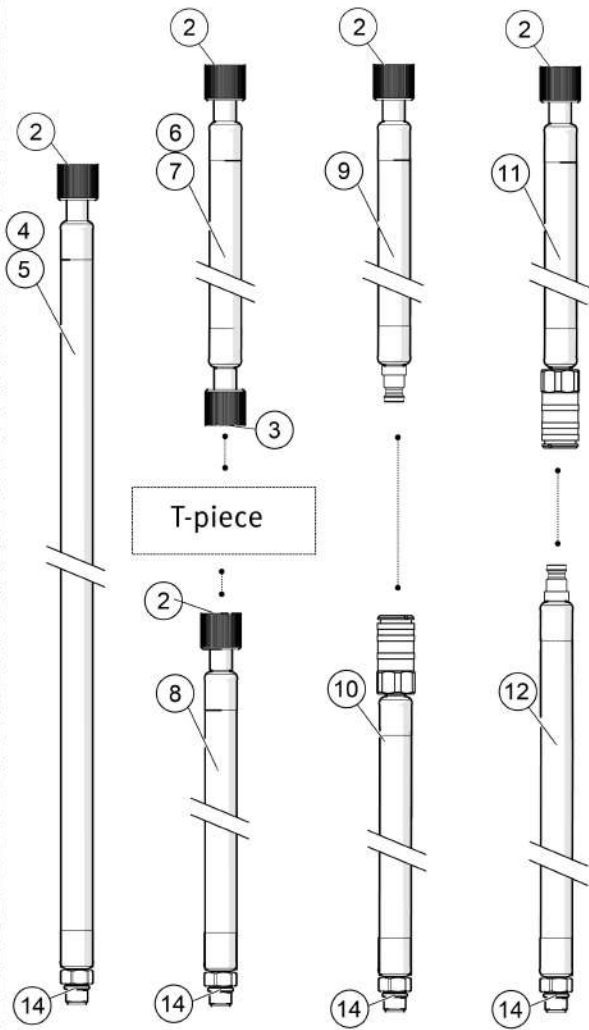
Spare Parts MKIII regulator unit

Position	Item number	Description
26	88193-52	Regulator cover 2-port 3/8 inch 90 degree
27	346190022	O-ring, 10 x 346900002
28	460190386	Piston
29	346190026	Spring, 5 x 346100005
30	346190024	O-ring, 10 x 346900004
31	31401-51	O-ring, 21.95x1.78, EPDM, 10 x 31401-01
32	460190198	O-ring & back-up ring, 10 pack (10 x 346900001 & 95471-01)
33	346190023	Valve seat set
34	460190388	Adjusting screw, 5 x 346100009
35	88114-51	Locking Clip, 10-pack
36	31189-51	O-ring, 10 x 31189-01
37	88162-51	Holder for anti freezing cap
38	460190507	Antifreezing cap, 6 x 336100425
39	460190763	Anti freezing cover with screw
40	30028-51	Anti Freezing unit MK III
41	88170-02	Plug-in pressure regulator 2 x 3/8" -24 UNF, 90 degree
42	88109-51	DR mode locking ring, 5 x 88109-01

Spare Parts MKIII medium pressure hoses

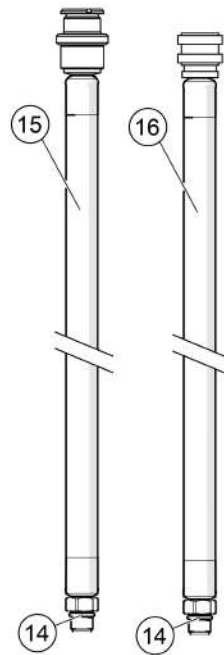
2024-09-24

Breathing hose

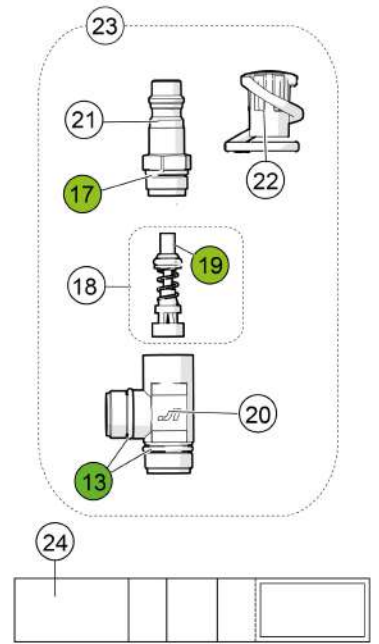


Service kit
T-piece

Inflation hose



T-piece



Spare Parts MKIII medium pressure hoses

Position	Item number	Description
1	460190414	Service kit Y-piece, QS II & Incurve and T-piece, Spiromatic 90U
2	336190237	O-ring, 10 x 336900099
3	336190236	O-ring, 10 x 944610205
4	99007-51	Breathing hose, 3/8 UNF, 1.70 M / 67 inch
5	99007-52	Breathing hose, 3/8 UNF, 1.13 M / 44 inch
6	460190560	Breathing hose, 0.75 M
7	336190287	Breathing hose 0,55 m
8	99007-53	Supply hose, 3/8 UNF, 1.0 M / 39 inch
9	88156-52	Breathing hose, small Euro male, 0.54 M
10	30645-51	Supply hose, small Euro female, 0.8 M
11	88197-51	Breathing hose, small Euro female
12	30644-51	Supply hose, small Euro male, 1.12 M
13	336190228	O-ring, 12.42x1.78, NBR, 10 x 336900007
14	460190529	O-ring, 10 x 336920009
15	97474-53	Dry suit inflation hose 0.75 M, CEJN 221-UNF 3/8, locked
16	30411-51	BC inflation hose UNF 3/8, 1.15 M / 45 inch
17	346190069	O-ring, 12.1x1.6, 10 x 944610210
18	346190223	Non-return valve
19	460190369	Cone with o-ring
20	460190264	T-manifold Replaces 346100028
21	96531-51	Quick coupling, Interspiro, male Replaces 460190485
22	31391-51	Dust cover, small, 10-pack
23	346190040	Extra air connection, Interspiro male
24	99099-51	Holder strap with hose loop
25	88119-51	Connector, 90 degree