



CAISSON & PNEUMO DEPTH GAUGES

GEARLESS, DIRECT DRIVE PRESSURE GAUGES

Trusted where safety, reliability and accuracy are paramount

ADVANTAGES

ONE MOVING PART

Unmatched vibration, pulsation and shock performance. No linkages, springs, gears, or liquid fill to wear, break or leak.

READY FOR ROUGH SEAS

Survives the day to day transport and use of a commercial diving case, and the unpredictability of corrosive marine environments.

TRUSTED ACCURACY

Accuracy is 25% less affected by temp fluctuations. Trusted in extremes from -65°F up to 190°F ambient.
Inconel Element = Low Coefficient of Thermal Expansion

US NAVY APPROVED

Direct Drive is demanded on critical applications.
Trusted in the most extreme marine environments, our gauges are widely used by the US Navy.

COLOR CODING MADE EASY

6 distinct colors makes it easy to color code.

Lifetime Limited Warranty



Pneumo Depth Gauges
Ideal for Sea Water Depth measurement



Caisson Gauges
For use in Hyperbaric Chambers

WETTED PARTS

Inconel X-750
300-series SS
Silver Braze

BURST PRESSURE

500% F.S. pressure or 25,000 psi

PROOF PRESSURE

150% F.S. pressure

CLEANED FOR OXYGEN SERVICE AVAILABLE.

ACCURACY (Ref. @ 68°F, ±2°F)

±0.25% F.S. (Grade 3A) Calibration Certificate Included
Accuracy exceptions. Contact factory for details.

RANGE AVAILABILITY

70 - 3,500 FSW (or equivalent)
Single Scale: FSW
Dual Scale: MSW | FSW, FSW | psi
Caisson available in 100 psi and above.

DIAL

Stainless Steel, Powder Coated Finish
White with Black Markings

WINDOW

Acrylic
Tempered Glass

POINTER

Anodized Aluminum
Zero-adjustable

CONNECTION

316 Stainless Steel
¼ or ½ NPT (other options available)

CUSTOMIZATION AVAILABLE. CONTACT THE FACTORY.

CASE CONFIGURATIONS

ABS PLASTIC *(most common)*

OPERATING TEMPERATURE

Process: -65°F to 250°F
Ambient: -65°F to 190°F

COLORS

Black, Blue, Green,
Red, White, Yellow

Contact the Factory
for other case sizes
and materials.



4.5", 6", 8.5" Front Flange



4.5", 6" No Flange



4.5", 6" Rear Flange

COMMON APPLICATIONS

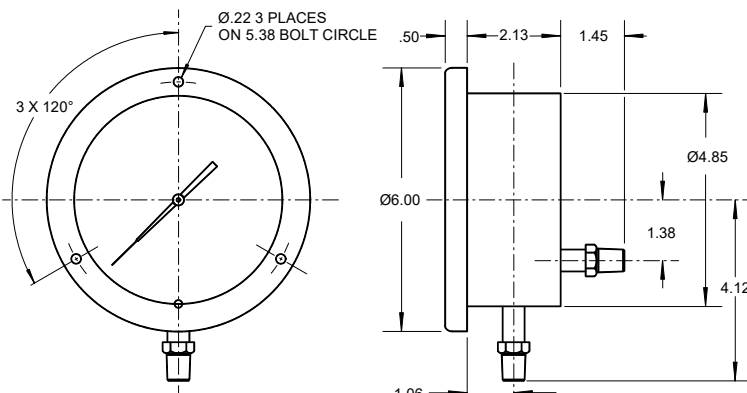


Dive Cases &
Air Control Systems

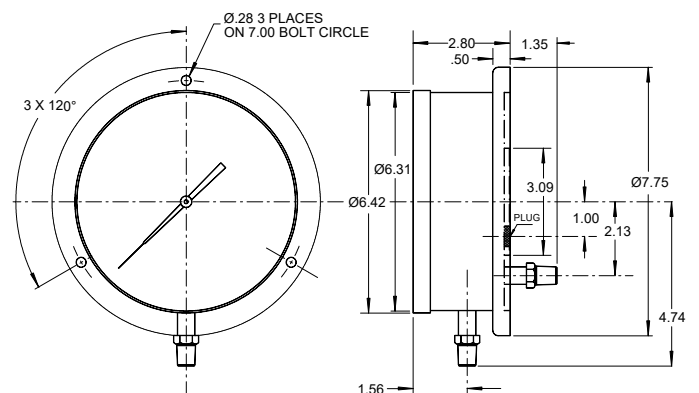


Hyperbaric & Decompression Chambers

DIMENSIONAL SPECS *(common sizes)*



4.5" Front Flange



6" Rear Flange Caisson