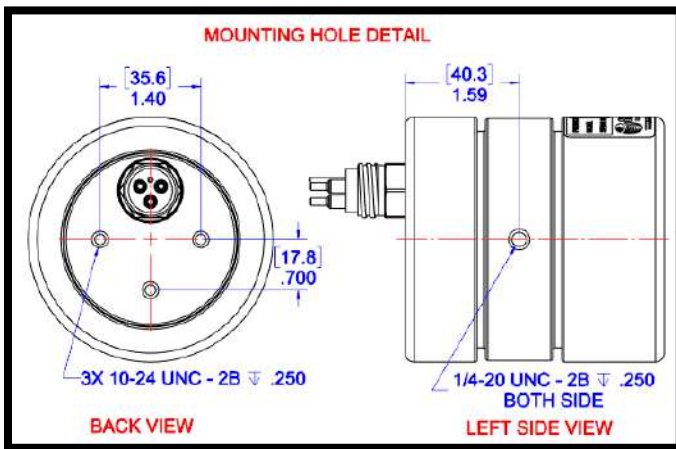


- EQUIVALENT TO 1,000 WATT HALOGEN
- USES ONLY 180 WATTS
- FULLY DIMMABLE
- MUST BE OPERATED IN WATER FOR ADEQUATE COOLING



**CAUTION: EXTREMELY BRIGHT
DO NOT LOOK DIRECTLY INTO
LIGHT!**



APPLICATIONS INCLUDE: UNDERWATER CAMERA OR WORK LIGHTS

MECHANICAL:

Diameter..... 3.4 in. (86 mm)
 Length (excluding connector)..... 3.6 in. (91 mm)
 Weight in air..... 2.1 lb. (0.95 kg)
 Weight in seawater..... 1.27 lb. (0.58 kg)
 Depth Rating..... 9,800 ft. (3,000 m)
 Housing Material..... Anodized Aluminum & Delrin
 Port Material..... Glass

ELECTRICAL:

Power..... 180 Watts

Must be powered by Outland CU-1160/H. Stand-alone operation is not supported.

LIGHT PROPERTIES:

Light Output..... 25,000 lumens
 (Equivalent to 1,000 Watt Halogen)
 Color Temperature..... 4000 K
 Beam Angle..... 100 degrees

CONNECTOR:

Standard Connector..... MCBH3MA
 Mate for Standard Connector..... MCIL3FS

1. Power (+)
2. Power Return
3. Case Ground

