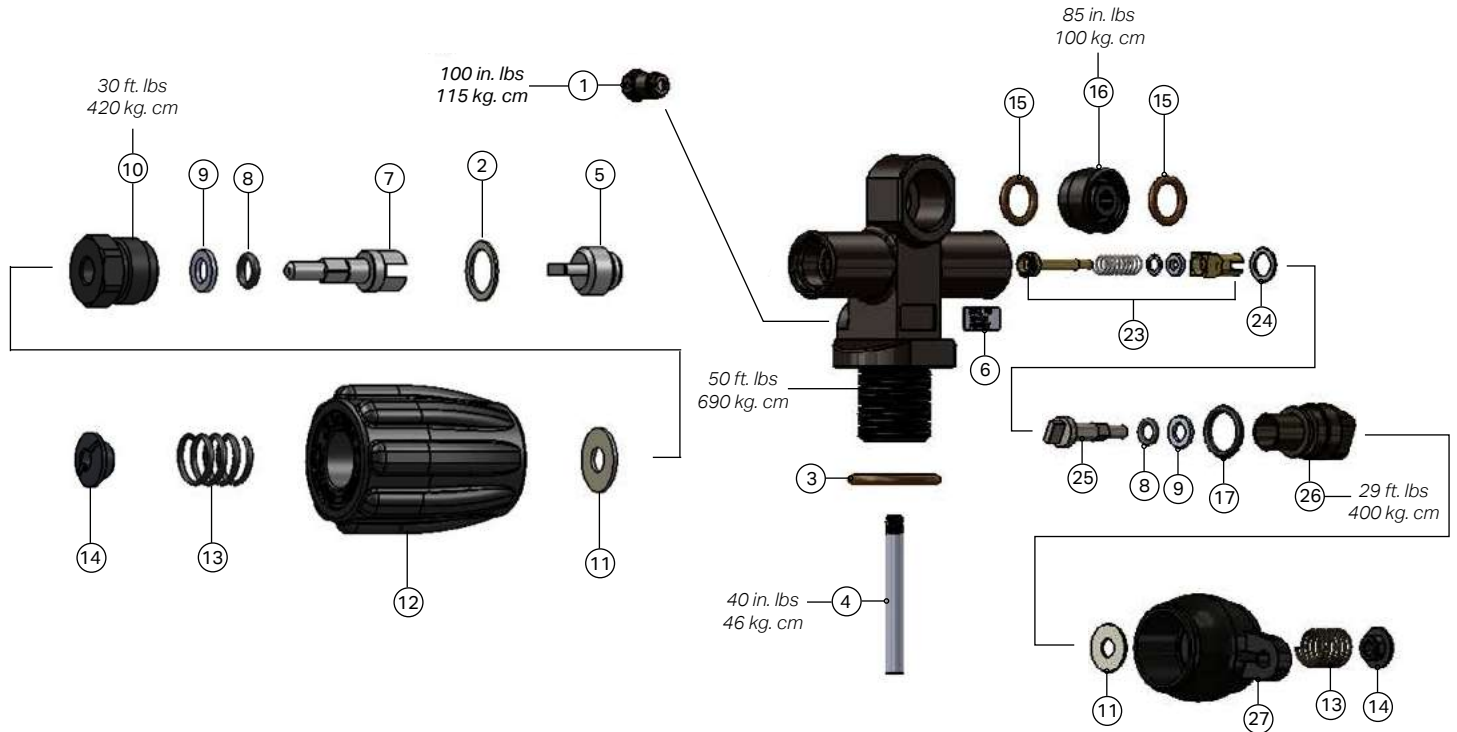




Reserve "J" Valve



#	Part #	Description	#	Part #	Description
	VKT-J-MAIN	SERVICE KIT - J VALVE MAIN SIDE			
	VKP-J	SERVICE KIT - J VALVE RESERVE SIDE			
1	VP01-20	Safety Assembly 2015 psi (3358 burst)	8*†	VP08-E	O-ring - EPDM (Stem)
1	VP01-22	Safety Assembly 2250 psi (3750 burst)	9*†	VP09	Teflon Washer (Stem)
1	VP01-24	Safety Assembly 2400 psi (4000 burst)	10	VT10-PVD	Bonnet - Thermo
1	VP01-30	Safety Assembly 3000 psi (5000 burst)	11	VP11	Washer Teflon (Handwheel)
1	VP01-33	Safety Assembly 3300 psi (5500 burst)	12	VP12-BK	Handwheel - Black
1	VP01-34	Safety Assembly 3442 psi (5250 burst)	13	VP13	Spring
2*	VT06	Copper Crush Washer	14	VP14-PVD	Nut
3*	VP03-E	O-ring - EPDM (3/4" NPSM Inlet)	15*	VP15-E	EPDM - O-ring (Outlet)
4	VP04	Dip Tube	15	VP15-P	O-ring - Polyurethane (Outlet)
5*	VP05-PEEK	Seat	16	VP16-PVDE	DIN Insert with both o-rings EPDM
6	VP01S-20	Sticker 2015 psi	17†	VX17-E	O-ring EPDM (Bonnet)
6	VP01S-22	Sticker 2250 psi	23†	VP23	Reserve Assembly
6	VP01S-24	Sticker 2400 psi	24†	VP24	SS Washer
6	VP01S-30	Sticker 3000 psi	25	VP26	Reserve Stem
6	VP01S-33	Sticker 3300 psi	26	VP29-PVD	Reserve Bonnet-PVD
6	VP01S-34	Sticker 3442 psi	27	VP30	Reserve Lever
7	VP07	Stem			

Part numbers in bold italics are standard replacement parts

* Parts that come in the VKT-J-Main

† Parts that come in the VKP-J