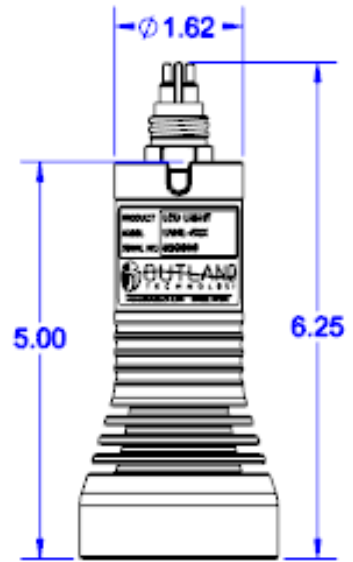
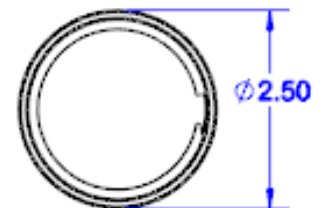


- EQUIVALENT TO 750 WATT HALOGEN
- USES ONLY 110 WATTS
- MUST BE OPERATED IN WATER FOR ADEQUATE COOLING



TOP VIEW



FRONT VIEW

**CAUTION: EXTREMELY BRIGHT
DO NOT LOOK DIRECTLY INTO LIGHT!**

APPLICATIONS INCLUDE: UNDERWATER CAMERA OR WORK LIGHTS

MECHANICAL:

Diameter.....	2.5 in. (65 mm)
Length (excluding connector).....	5 in. (127 mm)
Weight in air.....	14 oz. (0.4 kg)
Weight in seawater.....	6 oz. (0.17 kg)
Depth Rating.....	4,000 ft. (1200 m)
Housing Material.....	Anodized Aluminum
Port Material.....	Glass

**ELECTRICAL: Constant current source provided
by CU-1160 (1.4 Amp @ 72 Volts for the LED
device)**

CU-1160 Electrical:

Input Voltage.....	90-305 VAC or 127-431 VDC
Power.....	110 Watts

LIGHT PROPERTIES:

Light Output.....	11,000 lumens (Equivalent to 750 Watt Halogen)
Color Temperature.....	3,000 K
Beam Angle.....	100 degrees

CONNECTOR:

Standard Connector.....	MCBH3MA
Mate for Standard Connector.....	MCIL3FS

1. Power (+)
2. Power Return (-)
3. Housing Ground

