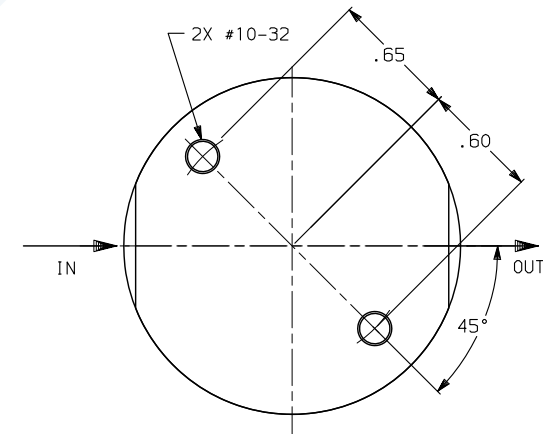
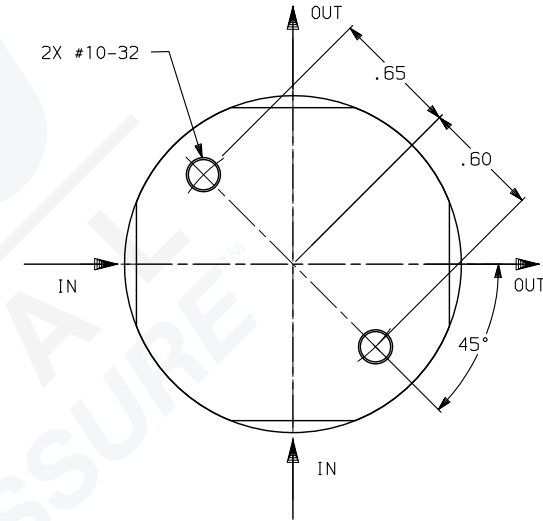
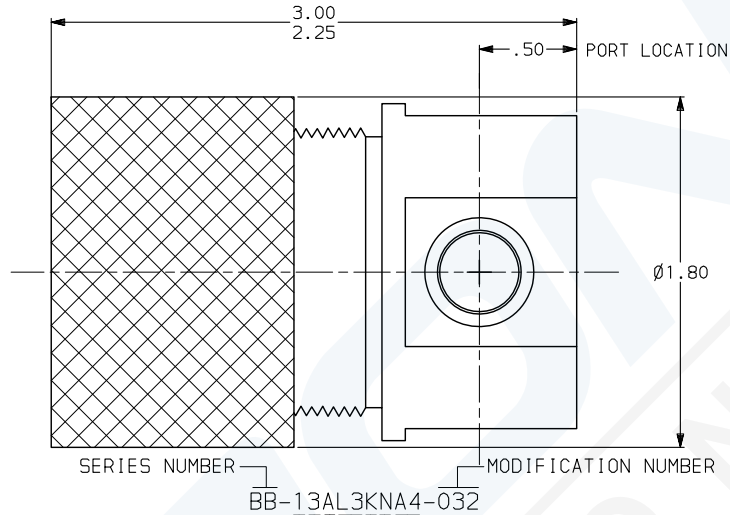
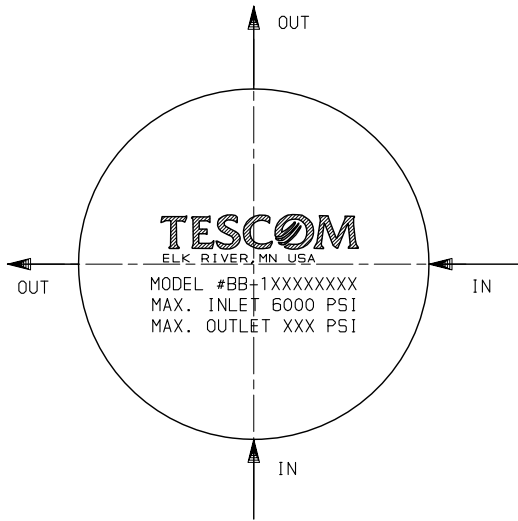


BB-1XXXXXXX-032



**BB SERIES REGULATOR**

SPRING LOADED, HAND OPERATED, PISTON SENSED  
PRESSURE REDUCING REGULATOR

**MODIFICATION FEATURES:**

FILTER (8203-24-125) INSTALLED IN ALL INLET PORTS

**GENERAL SPECIFICATIONS:**

INLET PRESSURE: 6000 PSIG MAX.  
OUTLET PRESSURE: SEE TABLE IV  
DESIGN PROOF PRESSURE: 150% OF RATED PRESSURE  
PRESSURE RATING: PER CRITERIA OF ANSI/ASME B31.3  
OPERATING TEMPERATURE: -15°F TO +165°F  
-65° TO +165° W/ BUNA-N O-RINGS  
UP TO +400°F W/ VESPEL OR PEEK SEAT

LEAKAGE: BUBBLE TIGHT  
FLOW CAPACITY (Cv): .06  
WEIGHT: APPROXIMATELY 8 OZ.

**MATERIALS CONTACTING LINE MEDIA:**

SEAT: SEE TABLE V  
O-RINGS: SEE TABLE VI  
BODY: SEE TABLE II  
REMAINING PARTS: 300 SERIES SST & ALUM.

**ASSEMBLY INFORMATION:**

FOR ASSEMBLY OF BB-1XXLXXXX USE SPEC: A60661-16

DASH NO.	FUNCTION
1	PRESSURE REDUCING

DASH NO.	BODY MATERIAL
3	ALUM 6061

DASH NO.	LOAD TYPE
A	ADJUSTABLE
P	PRE-SETTABLE

DASH NO.	OUTLET PRESSURE	
	ADJUSTABLE	PRE-SETTABLE
L1	0-80 PSI	0-80 PSI
L2	0-140 PSI	80-140 PSI
L3	0-220 PSI	140-220 PSI
H1	0-700 PSI	220-700 PSI
H2	0-1200 PSI	700-1200 PSI
H3	0-1800 PSI	1200-1800 PSI

DASH NO.	PORTING CONFIG
A4	1/4 NPT
A2	1/4 NPT

DASH NO.	O-RING SEAL
B	90 DURO BUNA
E	ETHYLENE PROPYLENE
N	BUNA-N
S	SPECIAL
U	POLYURETHANE
V	VITON
K	KALREZ

DASH NO.	SEAT
K	CTFE
V	VESPEL
P	PEEK

REV.	DATE	ECO NO.	BY:	APPR
C	5-15-09	5321-09	JLS	DP
B	6-11-04	1-04	JK	MKS
A	1-29-04	43-04	EWN	MKS

**TESCOM CORPORATION**  
INDUSTRIAL CONTROLS DIVISION  
ELK RIVER, MN USA

INFORMATION CONTAINED ON THIS DOCUMENT IS THE PROPERTY OF TESCOM CORPORATION. NO RIGHTS ARE CONVEYED NOR IS PERMISSION TO DISCLOSE TO OTHERS GIVEN.

UNLESS OTHERWISE SPECIFIED:  
.0 ± .020 ANGLES: ±1°  
.00 ± .010  
.000 ± .005  
SURFACE ROUGHNESS: 100/  
CORNER & FILLET RADI: .005-.020  
THREADS: CLASS 2  
REMOVE ALL BURRS  
MFG. SPEC. 60301

DRAWING MADE IN THIRD ANGLE PROJECTION  
(DO NOT SCALE DRAWING)

MATERIAL: X

FINISH: X

DRAWN BY:	CHECKED BY:	APPROVED BY:
EWN   1-29-04	MKS   1-29-04	MKS   1-29-04

NAME: **INSTALLATION INFO.**

SCALE: 2:1	SIZE NUMBER: C
CODE NO. 13669	SHT. 1 OF 1

BB-1XXXXXXX-032