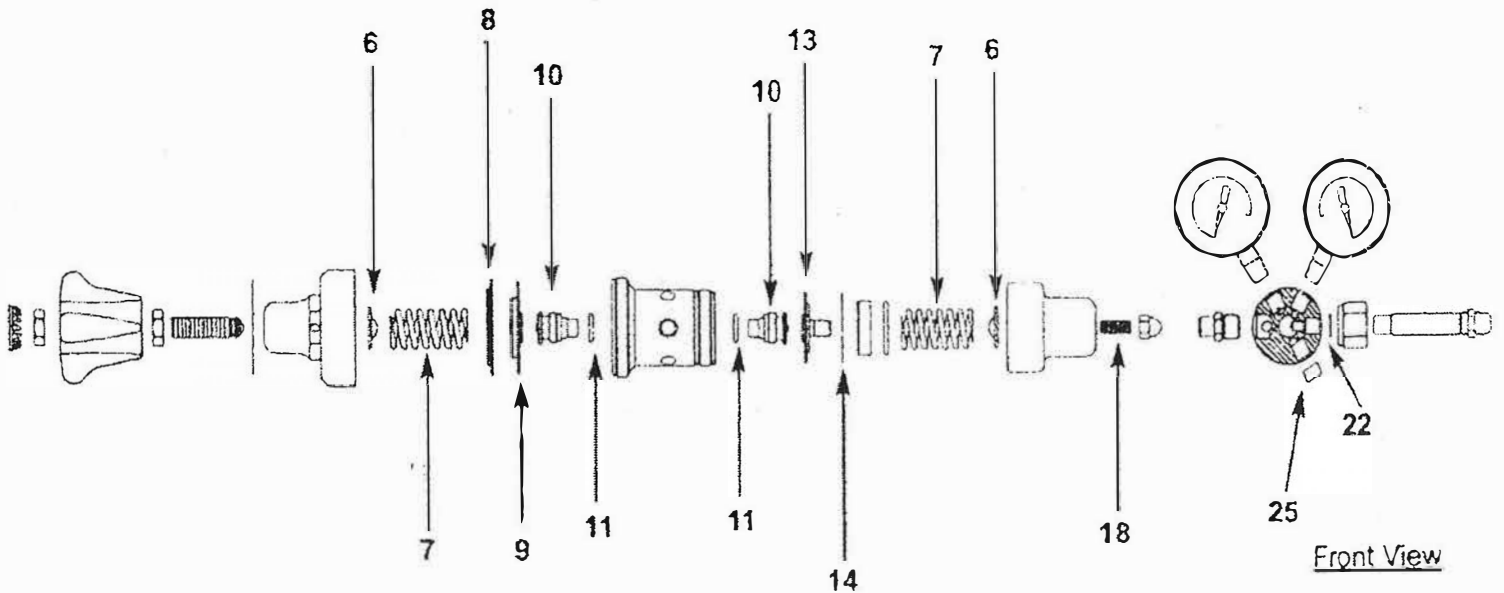


HVR-SPK

HVR-4401 MULTI-STAGE OXYGEN REGULATOR

Spare Parts Kit List



HVR-SPK: HVR-4401 Spare Parts Kit List

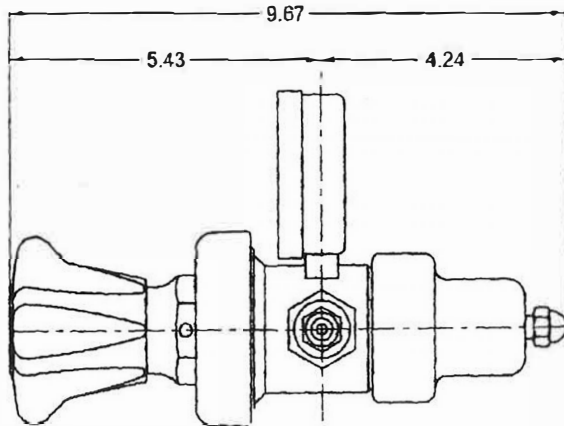
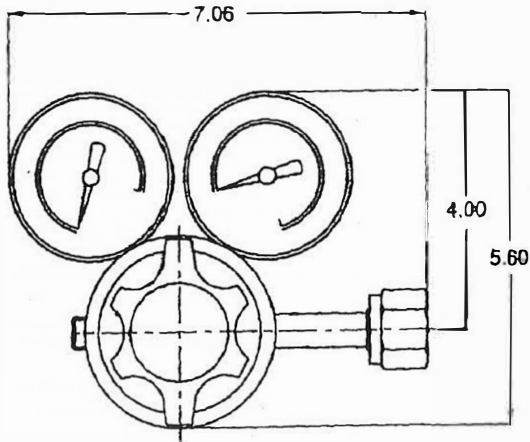
Ref. No.	Part No.	Description
6	H9002641	Pivot (2 required)
7	H9002658	Spring (2 required)
8	H9002701	Spacer Ring
9	H9100668	Diaphragm Assembly
10	H9100631	Valve Assembly, 0.250 (2 required)
11	H9004701	O-ring, Teflon (2 required)
13	H9100542	IRV-Diaphragm Assembly
14	H9002653	Slip Ring
18	H9002657	Set Screw, 3/8
22	H0304009	Snap Ring
25	H9000495	Plug, 1/4 NPT

BROCO[®]

Specialty Cutting & Welding Products

BROCO[®]

MULTI-STAGE OXYGEN REGULATOR HVR-4401



Model HVR-4401

Regulator weight: 6.9 lbs
Pressure Rise: .05 psig per 100 psig
C_v: .4

ALL FLOWS BASED ON AIR @ 70°F

— HVR-4401 @ 2000 psig inlet

- - - - HVR-4401 @ 500 psig inlet

