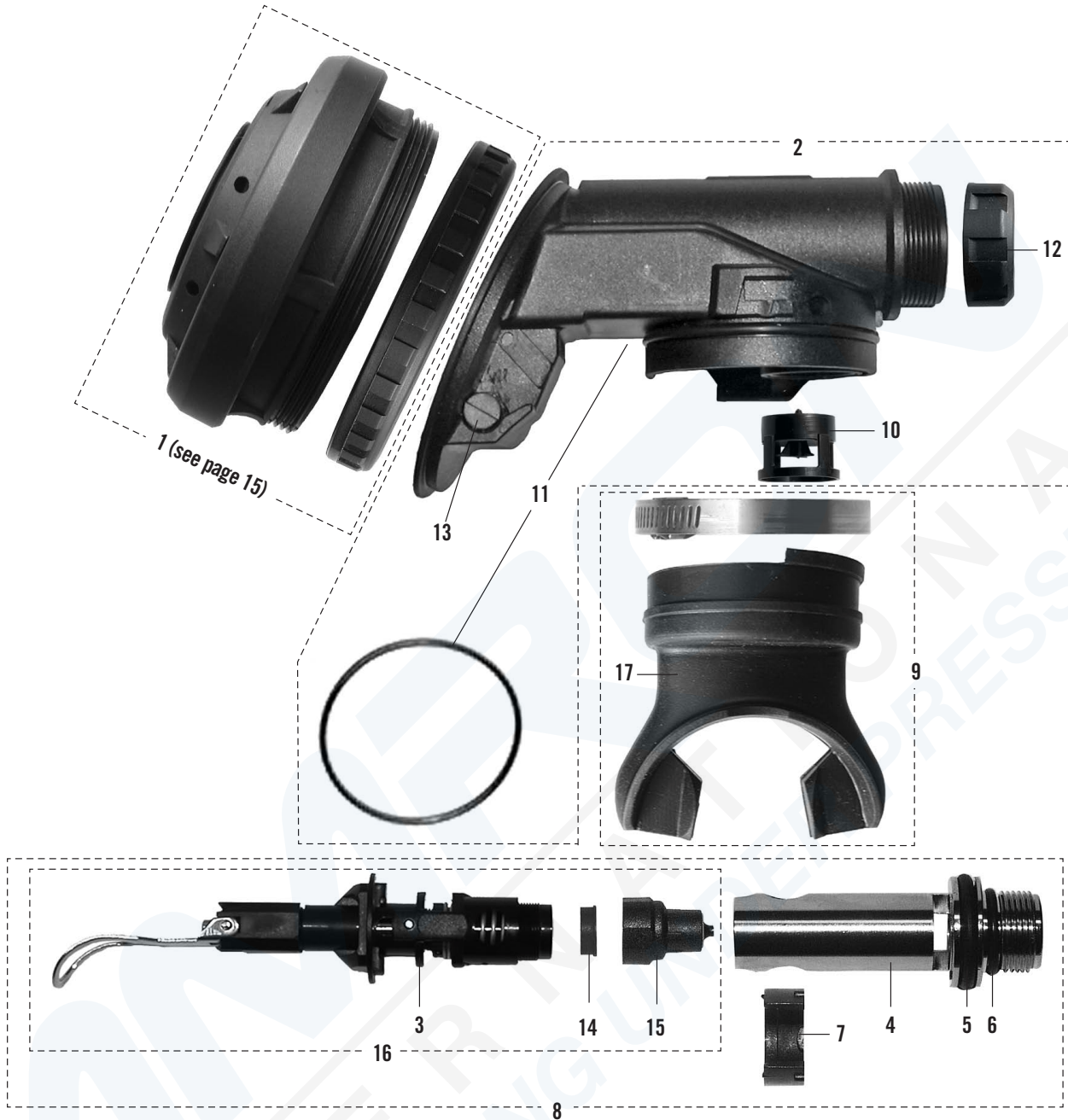


BREATHING VALVE WITHOUT SAFETY PRESSURE BLACK



#	SPARE PART	ORDER #	NOTES
•	Breathing valve (w/o SP)	336 101 150	for face mask
•	Breathing valve (w/o SP)	97 199-01	with mouth piece
1	Diaphragm attachment	336 101 155	
2	Valve housing MK II, black w/o SP	336 101 156	Incl. #10-13
3	Counter pressure assy. w/o SP	460 190 588	
4	Connection nipple	460 190 396	Incl. #5, 6
5	O-ring	336 190 227	10-pack
6	O-ring	336 190 228	10-pack
7	Retaining ring	346 190 198	10-pack
8	Valve insert assy. w/o SP	460 190 558	Incl. #3-7, 14-15
9	Mouthpiece assy.	336 190 353	Incl. #17
10	Non-return valve assy.	460 190 559	
11	O-ring, only used with face mask	336 190 226	10-pack

#	SPARE PART	ORDER #	NOTES
12	Nut, black	460 190 516	5-pack
13	Sealing plug	460 190 511	5-pack
14	Balancing diaphragm	460 190 409	5-pack
15	Valve cone assy.	336 190 064	
16	Valve insert sub assy. w/o SP	97 083-51	Incl. #3, 14-15
17	Mouth piece	460 190 505	
#	SERVICE PARTS	PART NR.	NOTES
A	Service part for 10 apparatus	336 190 226	
-	10 singular items of each of #11		