

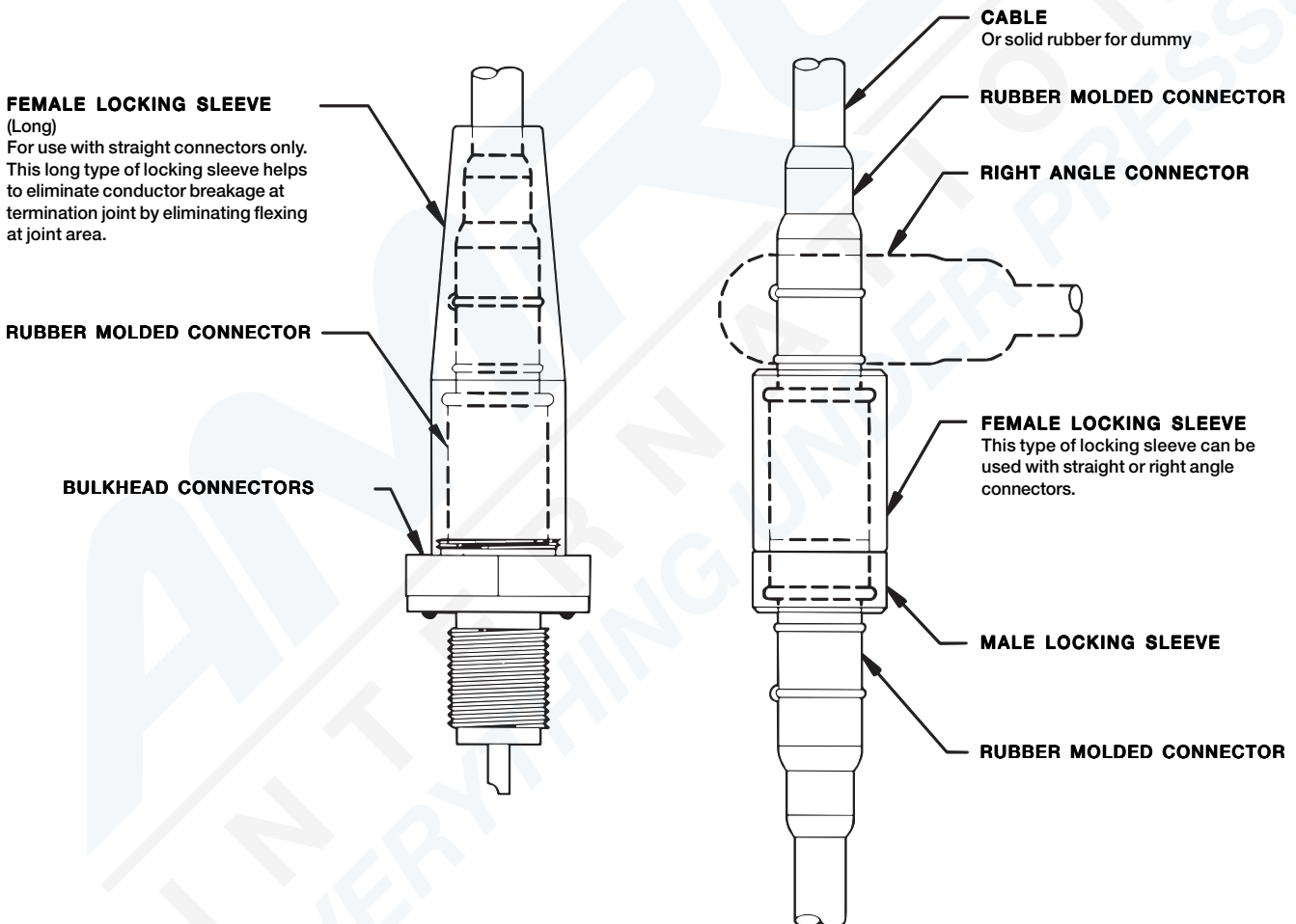
# LOCKING SLEEVES

## PART NUMBERING

A SIZE	-	FLS (F) FEMALE OR (M) MALE LOCKING SLEEVE	-	D MATERIAL
				(D) DELRIN, BLACK - STANDARD (S) STAINLESS STEEL (B) BRONZE; CA 630 (X) LONG (TI) TITANIUM

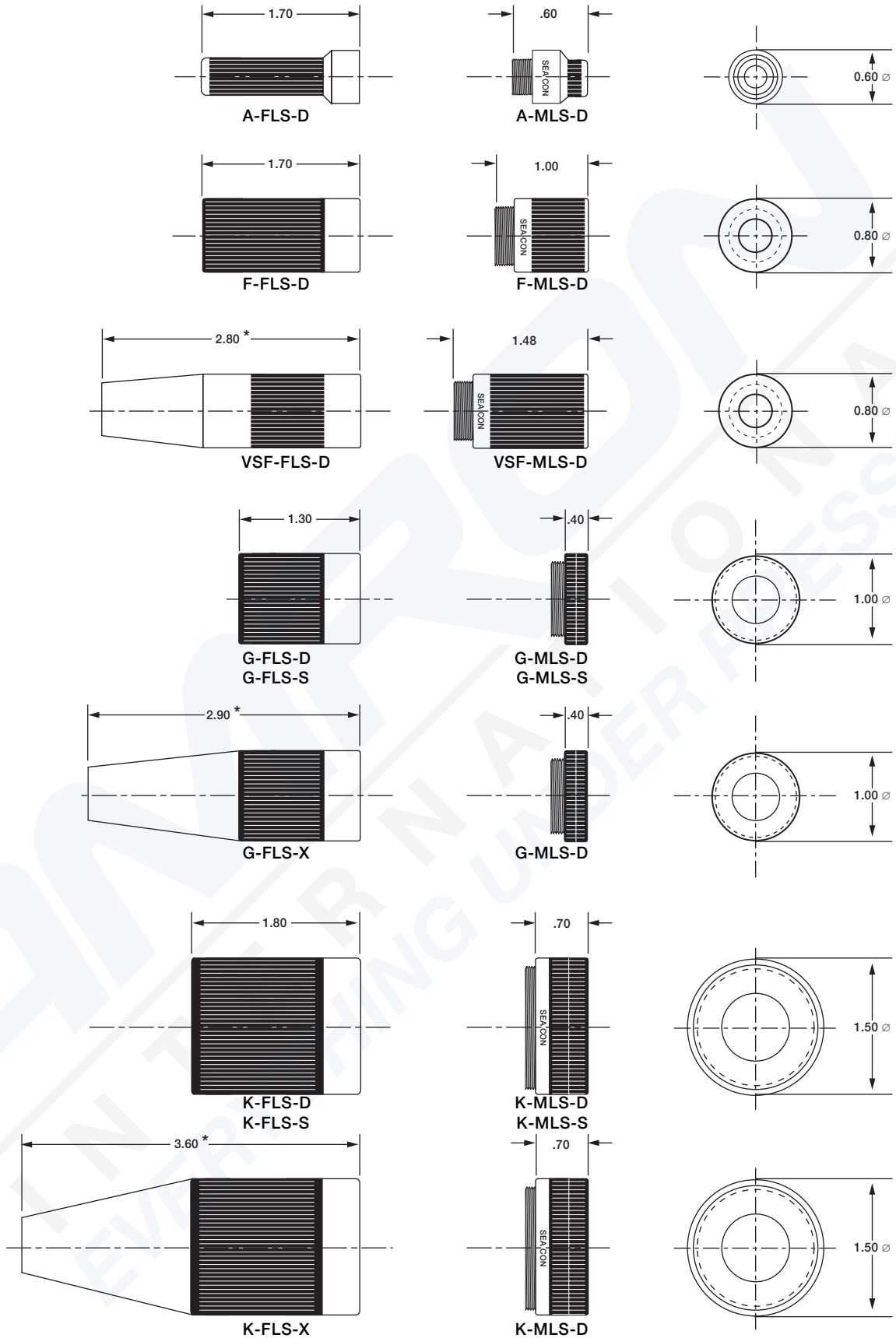
SEA CON®'S range of locking sleeves are available in Black Delrin (D), standard, previously standard: plastic or stainless steel(S). as shown on next page. Other materials may be available by special order.

USES: Assists in avoiding accidental disconnection. The long locking sleeves are used to minimize flexing stress being applied to the electrical conductor terminations when the cable is flexed.



Notes: Cable diameter must be specified when ordering (long -X) Locking Sleeves.  
X Size only uses 1/2 inch cable or smaller.

# LOCKING SLEEVES



Notes: \* VSF-FLS-D, G-FLS-X, K-FLS-X length will vary, depending on cable diameter.