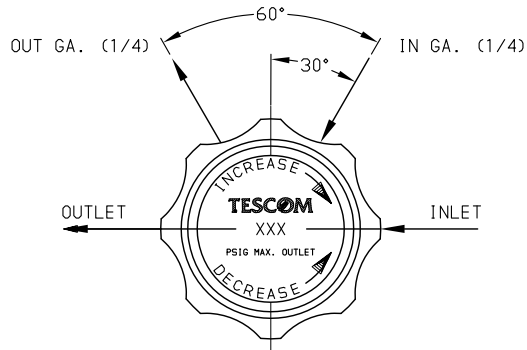


ALL DIMENSIONS REFERENCE

44-32XXX2XX



44-3200 SERIES REGULATOR

SPRING LOADED, HAND OPERATED, PRESSURE REDUCING REGULATOR WITH METAL TO METAL SEALED DIAPHRAGM.

GENERAL SPECIFICATIONS:

INLET PRESSURE: SEE TABLE V  
 OUTLET PRESSURE: SEE TABLE II  
 DESIGN PROOF PRESSURE: 150% OF RATED PRESSURE  
 PRESSURE RATING: PER CRITERIA OF ANSI/ASME B31.3  
 OPERATING TEMPERATURE: -40°F TO +165°F  
 LEAKAGE: INTERNAL: BUBBLE TIGHT  
 EXTERNAL: <math>2 \times 10^{-8}</math> atm cc/sec. He  
 FLOW CAPACITY (Cv): SEE TABLE V  
 WEIGHT: APPROXIMATELY 3.50 LBS.

MATERIALS CONTACTING LINE MEDIA:

SEAT: (44-32XXJXX1): CTFE  
 (44-32XXHXX3): TEFLON  
 SEAL: (44-32XXJXX1): SEE TABLE VI  
 (44-32XXHXX3): SEE TABLE VI  
 BODY: SEE TABLE I  
 RETAINER, SEAT: NITRONIC 60  
 DIAPHRAGM: SEE TABLE I  
 REMAINING PARTS: SEE TABLE I

ASSEMBLY INFORMATION:

FOR ASSEMBLY OF THIS UNIT USE SPEC: A60772-54

KITS:

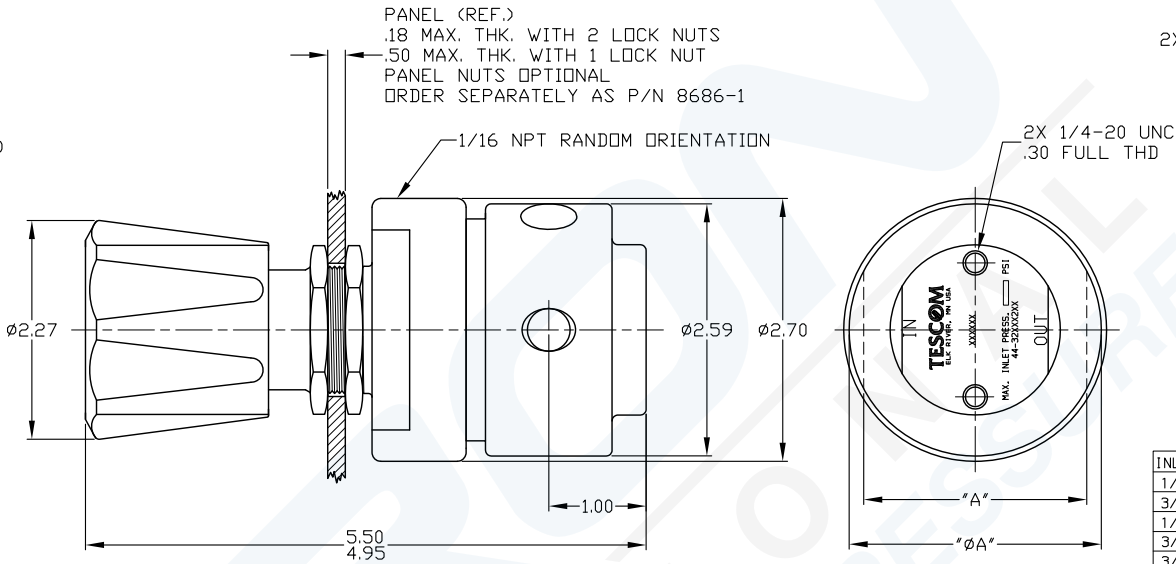
NONMETALLIC: (44-32XXJXX1) (44-32XXHXX3)  
 STANDARD NONE AVAILABLE NONE AVAILABLE

REPAIR: (44-32XXJXX1) (44-32XXHXX3)

389-6855 389-6856

NOTES:

- REGULATOR INCORPORATES AN ADJUSTABLE STOP WHICH ALLOWS THE MAXIMUM OUTLET PRESSURE TO BE LIMITED TO ANY VALUE BETWEEN THE MAXIMUM RATED VALUE AND 50% OF THE MAXIMUM RATED VALUE.



INLET & OUTLET PORT	"A"	"B"
1/4, 3/8 & 1/2 NPT	Ø2.59	1.00
3/8 SAE & MS33644	2.44	1.00
1/2 MS33644	2.29	1.00
3/4 & 1 NPT Cv 1.0	Ø3.23	1.26
3/4 NPT Cv 1.8	Ø2.88	1.25
1 NPT Cv 1.8	Ø3.23	1.25
3/4 SAE Cv 1.8	3.20	1.25

SERIES NUMBER

44-3262J261

TABLE I	DASH NO.	BODY MATERIAL	DIAPHRAGM	SPRING	REMAINING PARTS
	1	BRASS	316 SST	316 SST	316 SST
	6	316 SST	316 SST	316 SST	316 SST
	L	316L SST	316 SST	316 SST	316 SST

TABLE II	DASH NO.	OUTLET PRESSURE	PROOF PRESSURE
	0	0-25 PSI	150%
	1	0-50 PSI	
	2	0-100 PSI	
	3	0-150 PSI	
	4	0-200 PSI	

TABLE III	DASH NO.	INLET & OUTLET PORT TYPE
	1	SAE
	2	NPT
	3	MS33644

TABLE V	DASH NO.	MAX. INLET PRESSURE	FLOW CAPACITY
	1	3000 PSI	Cv = 1.0
	3	500 PSI	Cv = 1.0

TABLE IV	DASH NO./LTR	INLET & OUTLET PORT SIZE
	4	1/4
	6	3/8
	9	1/2
	12	3/4
	16	1

TABLE VI	DASH LTR.	SEAT MATERIAL	SEAL MATERIAL
	H	TEFLON	TEFLON; O-RING
	J	CTFE	TEFLON; SPRING ENERGIZED LIP SEAL

REV.	DATE	ECO NO.	BY:	APPR
AF	5-30-12	1995-12	DRM	BJT
AE	8-24-11	2242-11	DRM	BJT
AD	2-17-11	5101-11	SKO	DP
AC	12-20-10	3057-10	DRM	BJT
AB	1-3-10	1158-10	DRM	BJT
AA	8-6-07	340-07	LMS	JDU
Y	9-15-06	1558-06	DKD	JDJ
W	8-11-06	1517-06	DKD	JDU
V	5-16-06	1393-06	SKO	JDU
U	4-10-06	1281-06	SKO	JDU

REVISIONS

REFERENCE DRAWING(S)



INFORMATION CONTAINED ON THIS DOCUMENT IS THE PROPERTY OF TESCOM CORPORATION. NO RIGHTS ARE CONVEYED NOR IS PERMISSION TO DISCLOSE TO OTHERS GIVEN.

UNLESS OTHERWISE SPECIFIED:  
 0 ± .020 ANGLES: ±1°  
 .00 ± .010  
 .000 ± .005  
 SURFACE ROUGHNESS: 100/  
 CORNER & FILLET RADII: .005-.020  
 THREADS: CLASS 2  
 REMOVE ALL BURRS  
 MFG. SPEC. 00301

DRAWING MADE IN THIRD ANGLE PROJECTION (DO NOT SCALE DRAWING)

MATERIAL:		
X		
FINISH:		
X		
DRAWN BY:	CHECKED BY:	APPROVED BY:
JLS 11-9-95	MKS 11-9-95	MKS 11-9-95
NAME		
INSTALLATION INFORMATION		
SCALE:	SIZE	NUMBER
1:1	C	44-32XXX2XX
CODE NO.	SHT.	OF
13669	1	1