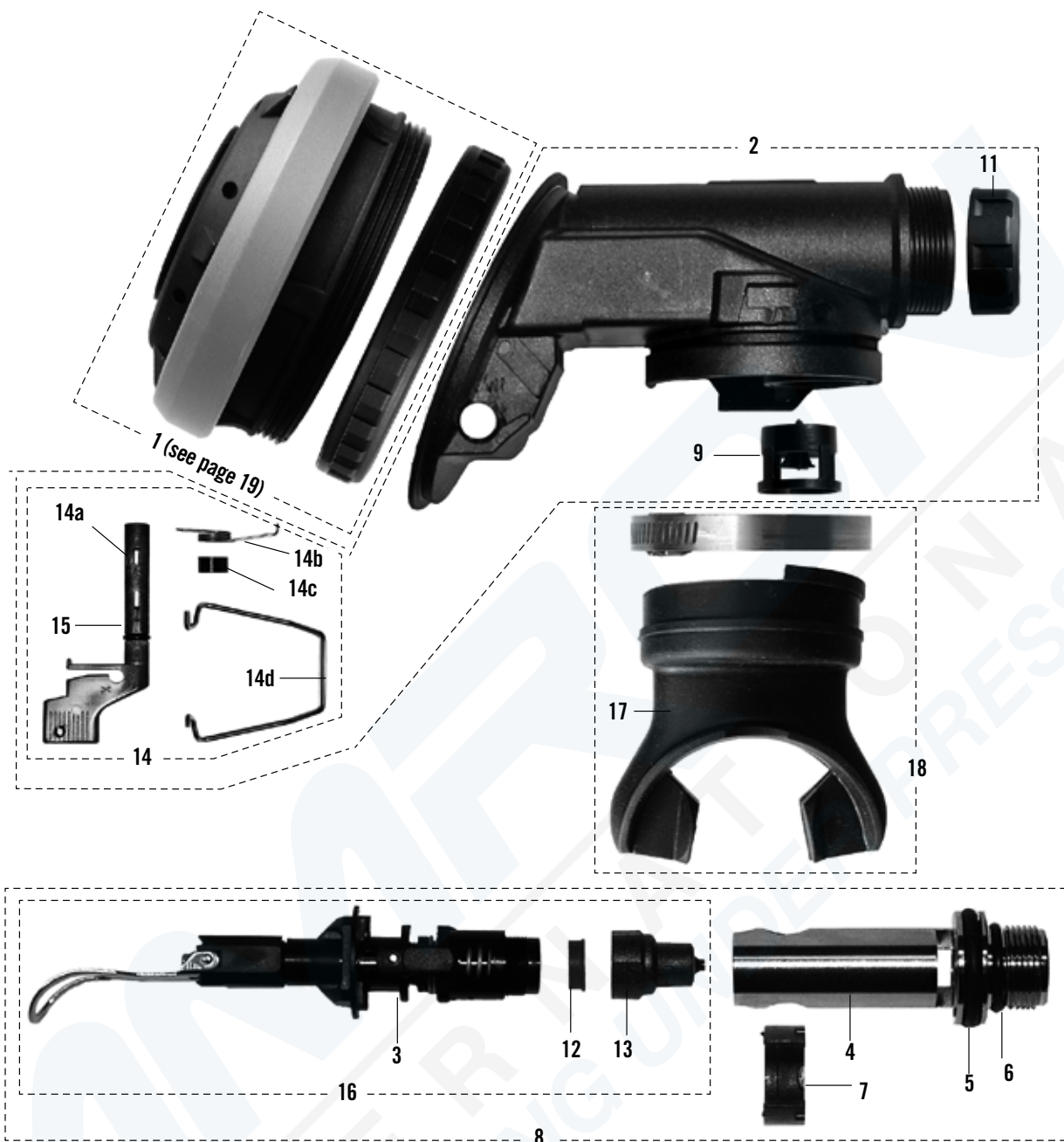


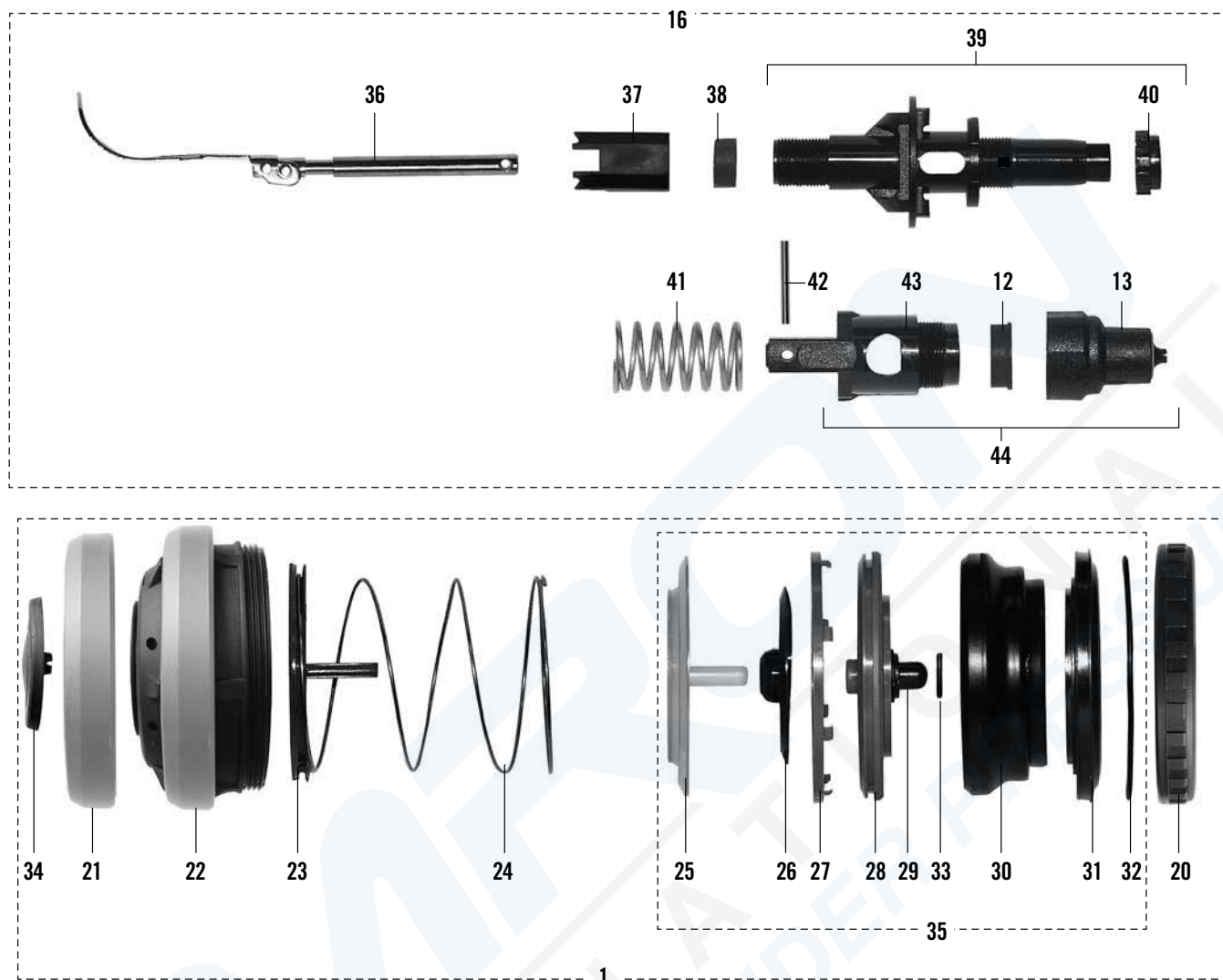
BREATHING VALVE "OCTOPUS" WITHOUT SAFETY PRESSURE, BLACK



# SPARE PART	ORDER #	NOTES
• Breathing valve (w/o SP)	97 199-02	Octopus, w lever
• Breathing valve (w/o SP) For US market only	97 199-03	Octopus, w/o lever
1 Exhalation unit, w/o SP	99 484-51	
2 Valve housing, black w. SP Incl. #9, 11, 14 & 15	336 101 158	
3 Counter pressure assy. w/o SP	460 190 588	
4 Connection nipple Incl. single items of #5 & 6	96 341-52	
5 O-ring	336 190 227	10 x 331 900 064
6 O-ring, green	99 486-51	10 x 99 486-01
7 Retaining ring	346 190 198	10 x 336 100 777
8 Valve insert assy. w/o SP Incl. single items of #3-7, 12 & 13	460 190 558	
9 Non-return valve assy.	460 190 559	
10 -		

# SPARE PART	ORDER #	NOTES
11 Nut, black	460 190 516	5 x 336 101 140
12 Balancing diaphragm	460 190 409	5 x 331 100 641
13 Valve cone assy.	336 190 064	
14 Lever assy. Incl. single item of #15	336 190 142	
15 O-ring	336 190 225	10 x 336 900 001
16 Valve insert sub assy. w/o SP Incl. single item of #3, 12 & 13	97 083-51	
17 Mouth piece	460 190 505	
18 Mouth piece assy. Incl. single item of #17	336 190 353	

BREATHING VALVE "OCTOPUS" WITHOUT SAFETY PRESSURE, BLACK



#	SPARE PART	ORDER #	NOTES
20	Locking ring, black	460 190 515	5 x 336 101 139
21	Shield ring, yellow	99 485-51	5 x 99 485-01
22	Cover with purge button, black with yellow shield ring, incl single item of #21 & 34	460 200 504	
23	Guide disc	460 190 721	
24	Sealing spring	460 190 500	5 x 333 100 056
25	Sealing disc	460 190 393	5 x 336 100 005
26	Exhalation diaphragm	30 005-51	5 x 30 005-01
27	Securing ring	460 190 413	10 x 336 100 008
28	Diaphragm ring	460 190 394	
29	Guide pin	346 190 194	10 x 336 100 011
30	Diaphragm	460 190 140	
31	Diaphragm holder	460 190 395	
32	O-ring	336 190 224	5 x 336 900 009
33	Washer	336 190 638	10 x 336 100 437
34	Purge button	336 190 487	5 x 336 100 432
35	Diaphragm assembly Incl. single items of #25-33	336 190 360	
36	Lever assy.	460 190 522	
37	Lever support	460 190 504	5 x 336 100 397
38	Sealing sleeve	346 190 246	5 x 336 100 019

#	SPARE PART	ORDER #	NOTES
39	Centre spindle	460 190 406	Incl. #40
40	Adjusting nut	346 190 247	5 x 331 102 020
41	Sealing spring w/o SP	460 190 501	5 x 336 100 438
42	Pin	336 190 258	10 x 336 100 046
43	Lifting spindle	460 190 408	
44	Sealing piston Incl. single item of #12, 13 & 43	336 190 284	

#	SERVICE KIT	ORDER #
	Service kit for 1 Octopus Breathing valve, with lever - 1 single item of each of #5, 6, 7, 9, 14, 16 & 35	460 200 510
	Service kit for 1 Octopus Breathing valve, without lever - 1 single item of each of #5, 6, 7, 9, 16 & 35	460 200 512