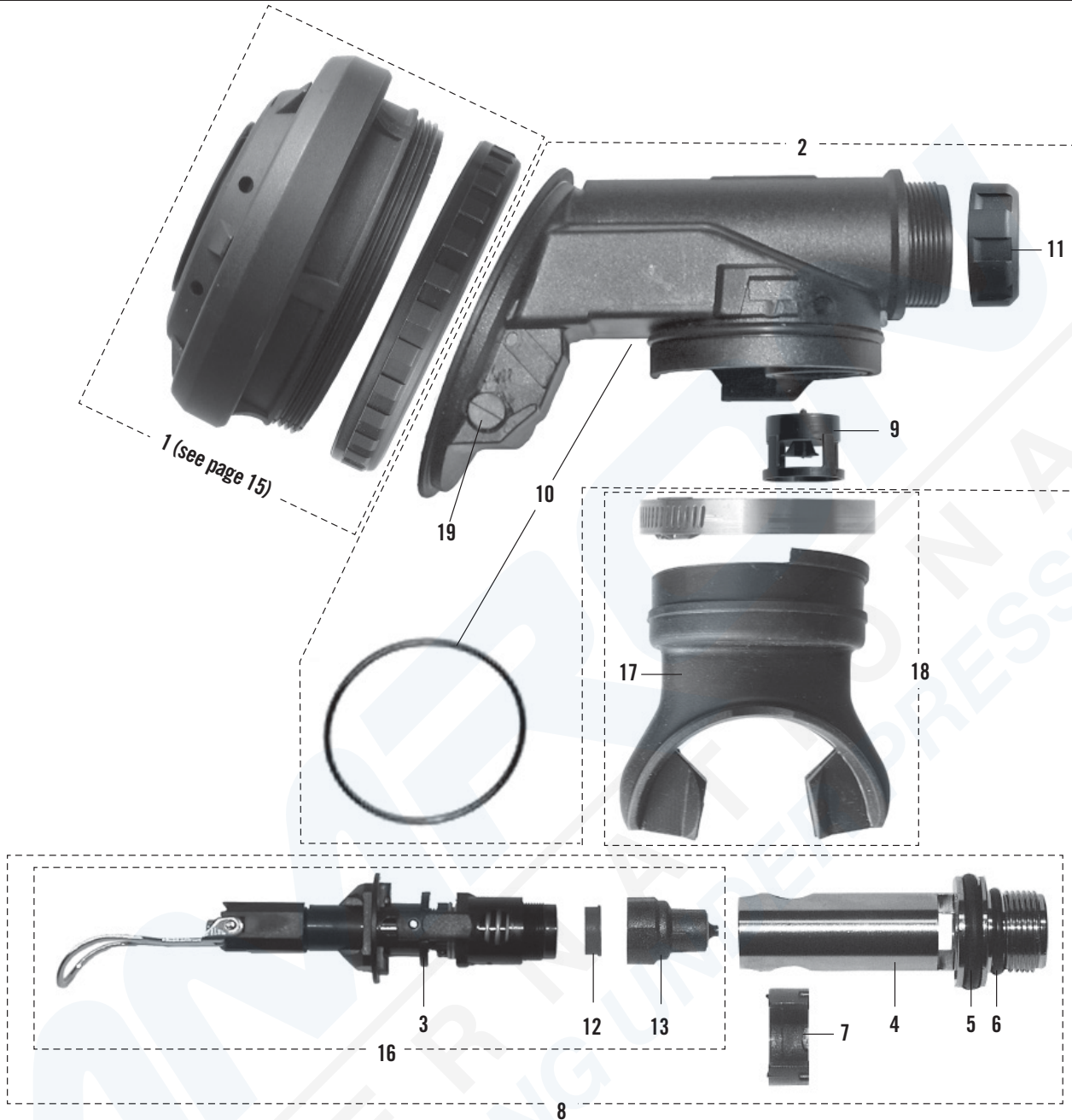


BREATHING VALVE WITHOUT SAFETY PRESSURE, BLACK

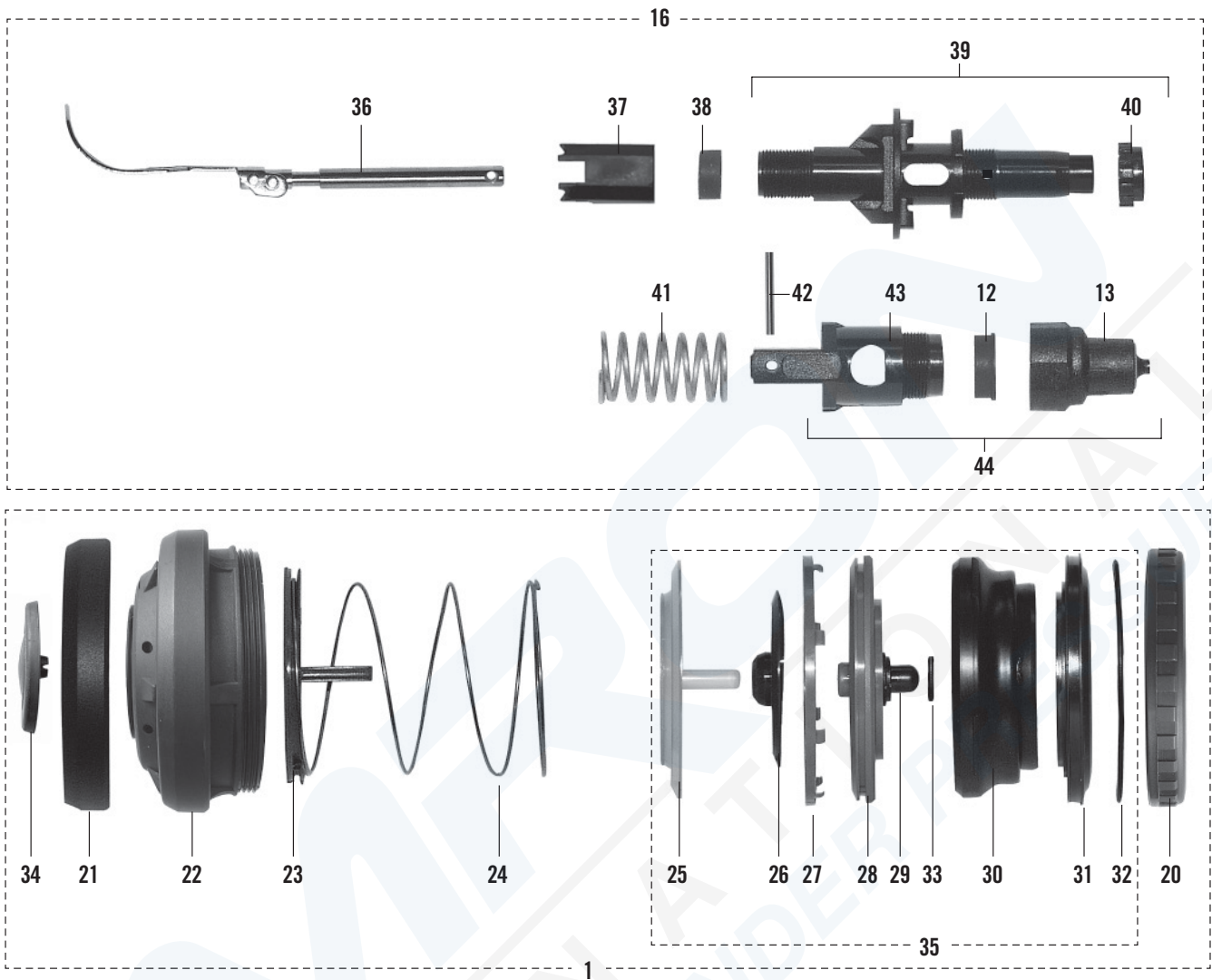


# SPARE PART	ORDER #	NOTES
• Breathing valve (w/o SP)	336 101 150	for face mask
• Breathing valve (w/o SP)	97 199-01	with mouth piece
1 Exhalation unit, w/o SP	336 101 155	
2 Valve housing, black w/o SP	336 101 156	Incl. single items of #9 - 11 & 19
3 Counter pressure assy. w/o SP	460 190 588	
4 Connection nipple	460 190 396	Incl. single items of #5, 6
5 O-ring	336 190 227	10 x 331 900 064
6 O-ring, green	99 486-51	10 x 99 486-01
7 Retaining ring	346 190 198	10 x 336 100 777
8 Valve insert assy. w/o SP	460 190 558	Incl. single items of #3-7, 12 & 13
9 Non-return valve assy.	460 190 559	
10 O-ring, only used with face mask	336 190 226	10 x 336 900 008

# SPARE PART	ORDER #	NOTES
11 Nut, black	460 190 516	5 x 336 101 140
12 Balancing diaphragm	460 190 409	5 x 331 100 641
13 Valve cone assy.	336 190 064	
14 -		
15 -		
16 Valve insert sub assy. w/o SP	97 083-51	Incl. single items of #3, 12 & 13
17 Mouth piece	460 190 505	
18 Mouthpiece assy.	336 190 353	Incl. #17
19 Sealing plug	460 190 511	5 x 336 100 509

# SERVICE KIT	ORDER #
Service part for 10 breathing valves - 10 single items of each of 336 900 008	336 190 226

BREATHING VALVE WITHOUT SAFETY PRESSURE, BLACK (cont.)

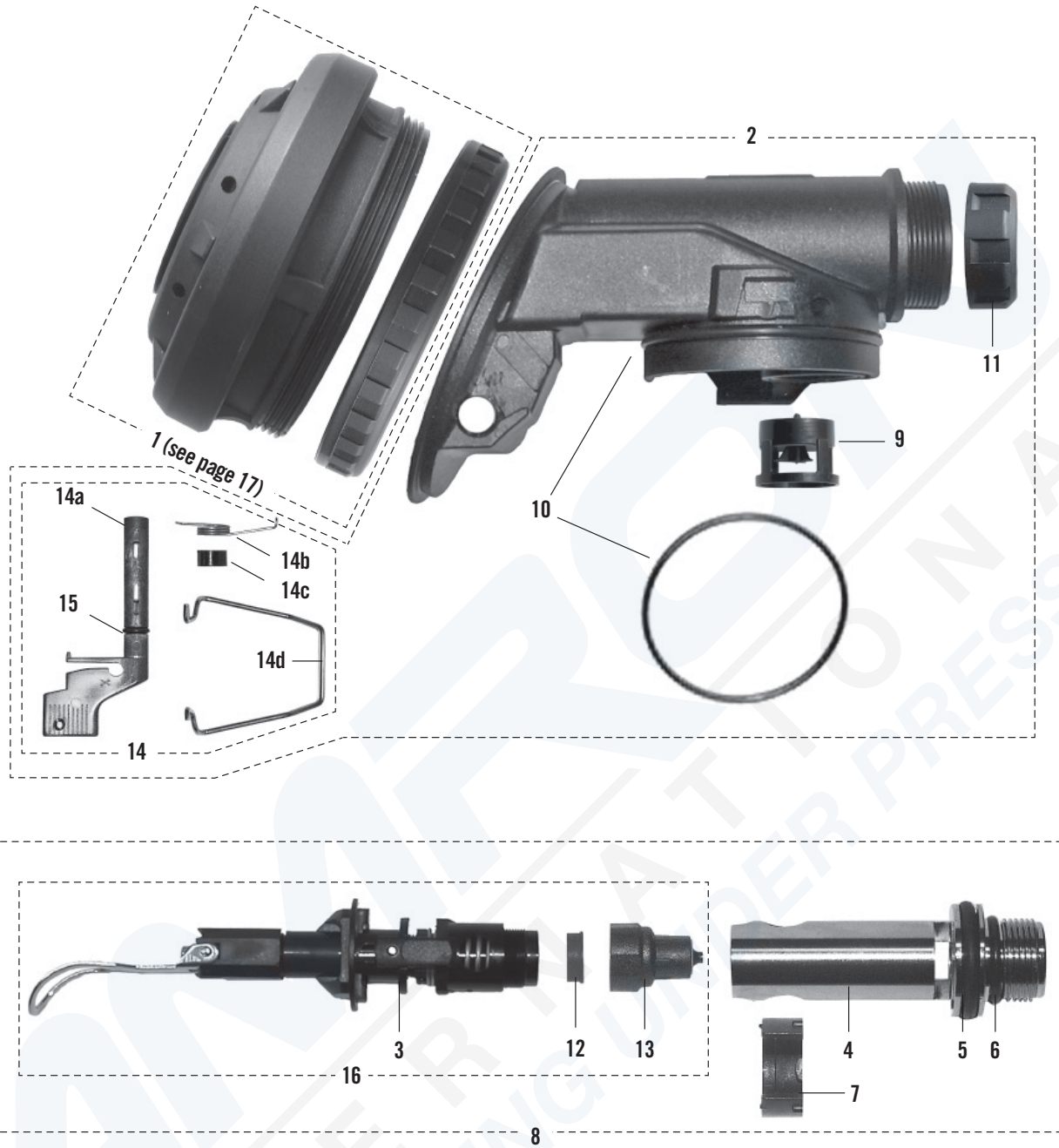


# SPARE PART	ORDER #	NOTES
20 Locking ring, black	460 190 515	5 x 336 101 139
21 Shield ring	346 190 197	5 x 336 800 184
22 Cover with purge button, black Incl single item of #21 & 34	460 190 518	
23 Guide disc	460 190 721	
24 Sealing spring	460 190 500	5 x 333 100 056
25 Sealing disc	460 190 393	5 x 336 100 005
26 Exhalation diaphragm	30 005-51	5 x 30 005-01
27 Securing ring	460 190 413	10 x 336 100 008
28 Diaphragm ring	460 190 394	
29 Guide pin	346 190 194	10 x 336 100 011
30 Diaphragm	460 190 140	
31 Diaphragm holder	460 190 395	
32 O-ring	336 190 224	5 x 336 900 009
33 Washer	336 190 638	10 x 336 100 437
34 Purge button	336 190 487	5 x 336 100 432
35 Diaphragm assembly Incl. single items of #25-33	336 190 360	
36 Lever Assy	460 190 522	
37 Lever support	460 190 504	5 x 336 100 397

# SPARE PART	ORDER #	NOTES
38 Sealing sleeve	346 190 246	5 x 336 100 019
39 Centre spindle	460 190 406	Incl. single of #40
40 Adjusting nut	346 190 247	5 x 331 102 020
41 Sealing spring w/o SP	460 190 501	5 x 336 100 438
42 Pin	336 190 258	10 x 336 100 046
43 Lifting spindle	460 190 408	
44 Sealing piston Incl. single item of #12, 13 & 43	336 190 284	

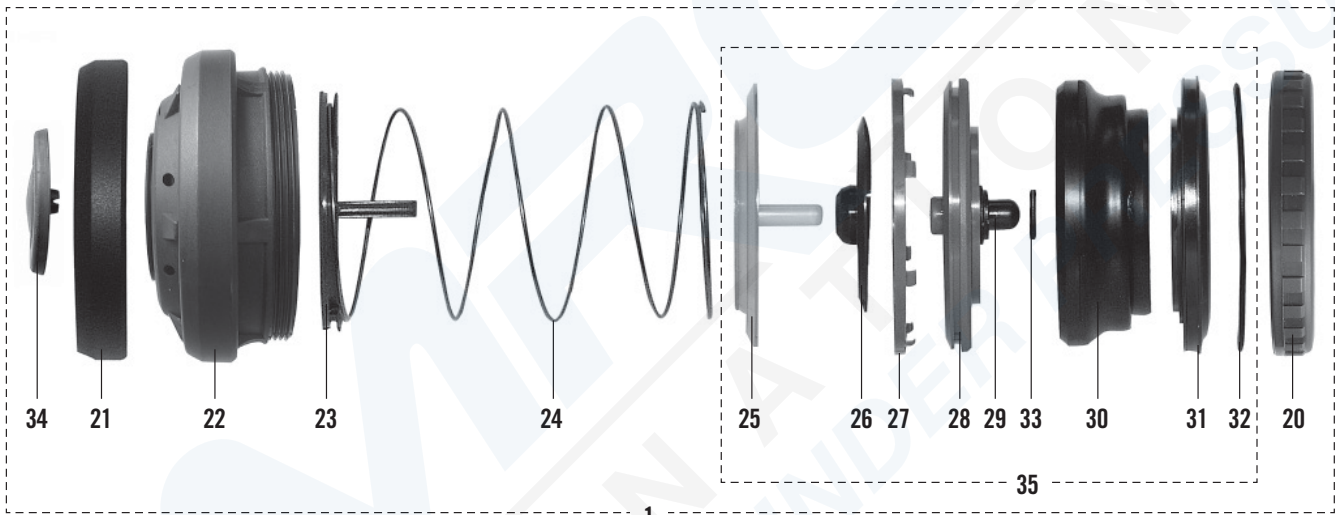
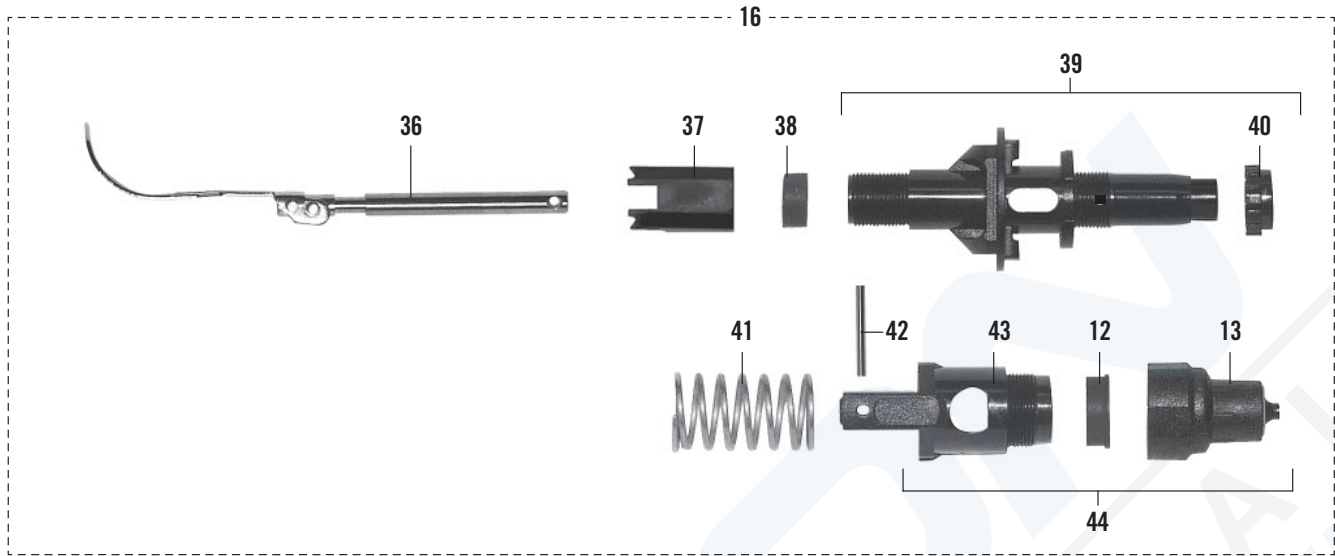
# SERVICE KIT	ORDER #
Service kit for 1 Breathing valve, NP - 1 single item of each of #5, 6, 7, 9, 10, 16 & 35	460 190 902
Service kit for 1 Breathing valve, NP	460 190 903

BREATHING VALVE WITH SAFETY PRESSURE, BLACK



# SPARE PART	ORDER #	NOTES	# SPARE PART	ORDER #	NOTES
• Breathing valve (w. SP)	336 101 149		11 Nut, black	460 190 516	5 x 336 101 140
1 Exhalation unit, w SP	460 190 552		12 Balancing diaphragm	460 190 409	5 x 331 100 641
2 Valve housing, black w. SP Incl. single items of #9-11, 14 & 15	336 101 158		13 Valve cone assy.	336 190 064	
3 Counter pressure assy. w. SP	460 190 589		14 Lever assy.	336 190 142	Incl. #15
4 Connection nipple Incl. single items of #5, 6	460 190 396		15 O-ring	336 190 225	10 x 336 900 001
5 O-ring	336 190 227	10 x 331 900 064	16 Valve insert sub assy. w. SP	97 028-51	Incl. #3, 12 & 13
6 O-ring	336 190 228	10 x 336 900 007	17 - 19	-	
7 Retaining ring	346 190 198	10 x 336 100 777			
8 Valve insert assy. w. SP Incl. single items of #3-7, 12 & 13	336 190 357		# SERVICE KIT		ORDER #
9 Non-return valve assy.	460 190 559		Service part for 10 breathing valves		336 190 226
10 O-ring, only together with face mask	336 190 226	10 x 336 900 008	- 10 single items of each of 336 900 008		

BREATHING VALVE WITH SAFETY PRESSURE, BLACK (cont.)



#	SPARE PART	ORDER #	NOTES
20	Locking ring, black	460 190 515	5 x 336 101 139
21	Shield ring	346 190 197	5 x 336 800 184
22	Cover with purge button, black incl single item of #21 & 34	460 190 518	
23	Guide disc	460 190 412	
24	Sealing spring	460 190 508	5 x 336 100 436
25	Sealing disc	460 190 393	5 x 336 100 005
26	Exhalation diaphragm	30 005-51	5 x 30 005-01
27	Securing ring	460 190 413	10 x 336 100 008
28	Diaphragm ring	460 190 394	
29	Guide pin	346 190 194	10 x 336 100 011
30	Diaphragm	460 190 140	
31	Diaphragm holder	460 190 395	
32	O-ring	336 190 224	5 x 336 900 009
33	Washer	336 190 638	10 x 336 100 437
34	Purge button	336 190 487	5 x 336 100 432
35	Diaphragm assembly Incl. single items of #25-33	336 190 360	
36	Lever Assy	460 190 522	
37	Lever support	460 190 504	5 x 336 100 397

#	SPARE PART	ORDER #	NOTES
38	Sealing sleeve	346 190 246	5 x 336 100 019
39	Centre spindle	460 190 406	Incl. #40
40	Adjusting nut	346 190 247	5 x 331 102 020
41	Sealing spring w. SP	460 190 509	5 x 336 100 438
42	Pin	336 190 258	10 x 336 100 046
43	Lifting spindle	460 190 408	
44	Sealing piston Incl. single item of #12, 13 & 43	336 190 284	

#	SERVICE KIT	ORDER #
	Service kit for 1 Breathing valve, SP - 1 single item of each of #5, 6, 7, 9, 10, 14, 16 & 35	460 190 904
	Service kit for 10 Breathing valve, SP - 10 item of each of service kit 460 190 904	460 190 905