

## 3127 OUTSIDE JUNCTION BOX

### DESCRIPTION

The Amron International Model 3127 Outside Junction Box is mounted directly to a pressure sealed stainless steel electrical penetrator housing with a brass adapter bushing. The adapter bushing has multiple holes and the Junction Box has slotted holes, permitting the box to be aligned after the penetrator is tight.

As part of Amron's "Easy as 1-2-3 System," Model 3127 Outside Junction Box allows you to set up your chamber communications, auxiliary and electrical wiring with ease, just as the name implies. This system is a complete "off the shelf", pre-tested chamber communication and wiring system for a double lock chamber. The system is designed for installation by non-electrical type personnel and requires only a crescent wrench and a screw driver. This eliminates the engineering and hunting for all the bits and pieces necessary to properly wire a chamber.

### OVERVIEW

#### Features:

- Electrical penetrator, 12 Pin, 1000 psig rating
- MS connection to wiring harness
- Easy mounting system
- Gray epoxy powder coat

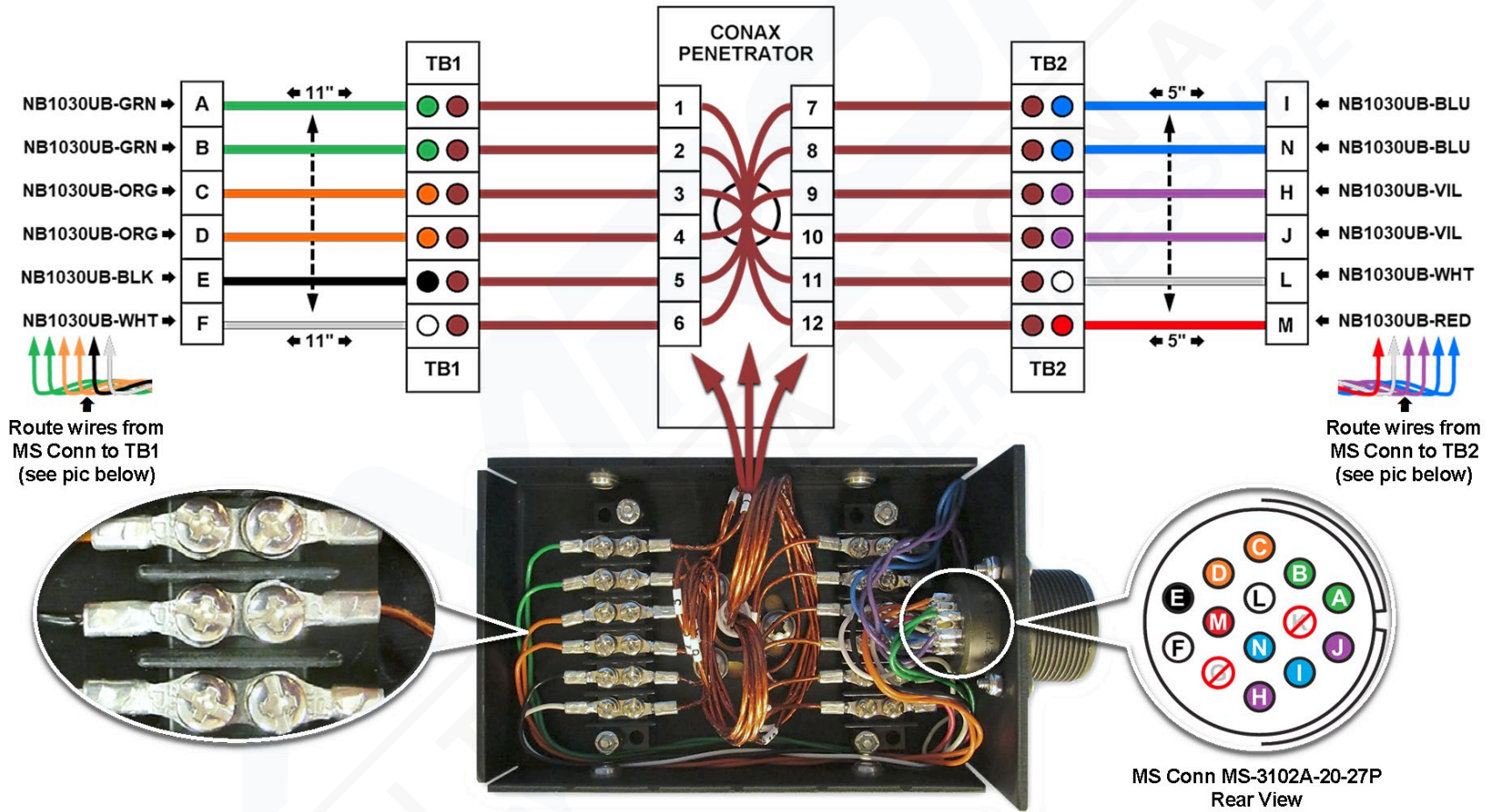
#### Dimensions:

- Height: 6 in. (15.2 cm)
- Width: 4 in. (10.2 cm)
- Depth: 2.25 in. (5.7 cm)
- Weight: 4 lbs. (1.8 kg)



**DISCLAIMER NOTICE:** Amron's chamber communications are designed to be used in air chambers where oxygen concentrations remain below 23.5%. Our communications products (including communicators, speakers, entertainment systems, and other communications accessory items) are NOT designed for oxygen service, are not intrinsically safe, and do not meet the criteria given in NFPA-99, Chapter 20 and other applicable definitions. Misuse of our chamber communicator products in high-concentration Oxygen environments may result in serious injury and/or death.

## 3127 OUTSIDE JUNCTION BOX WIRING DIAGRAM



## 3127 OUTSIDE JUNCTION BOX

### ASSEMBLY BREAKOUT EXAMPLE (3125/3127)

