

## 3120 BELL BOX

### DESCRIPTION

The Amron International Model 3120 Bell Box is designed to be used in diving bell applications. Materials and components used are well suited to the hostile environment of the bell. This is a unit designed to survive.

### OVERVIEW

**Features:**

- Five separate circuits, three for diver's comm, one for bellman's headset, and one for bell speaker.
- Diver and bellman headset circuits are 4-wire; bell speaker is 2-wire.
- Talk back speaker, bellman's headset connector, and three diver's umbilical connectors.
- Connections on bellman's headset and diver's umbilical's are identical and interchangeable. Allows bellman's headset to substitute for diver's umbilical or helmet.

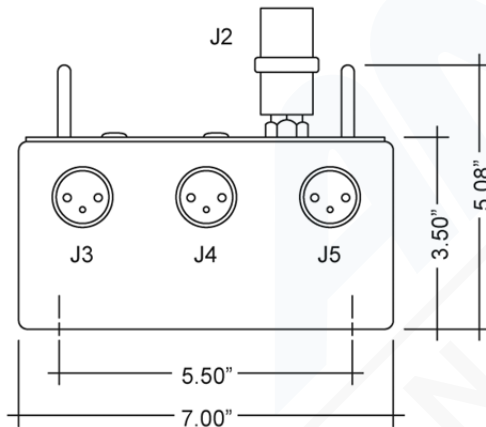
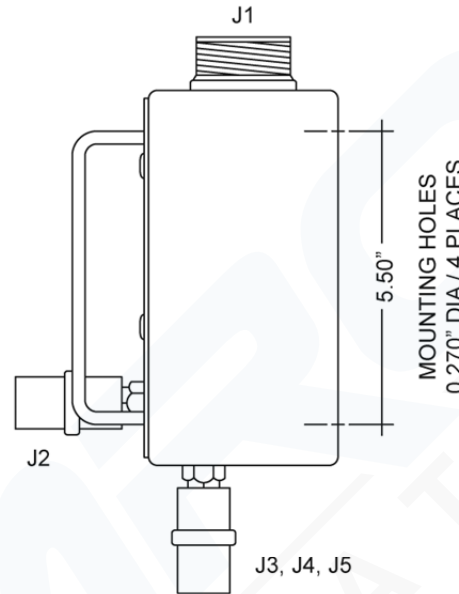
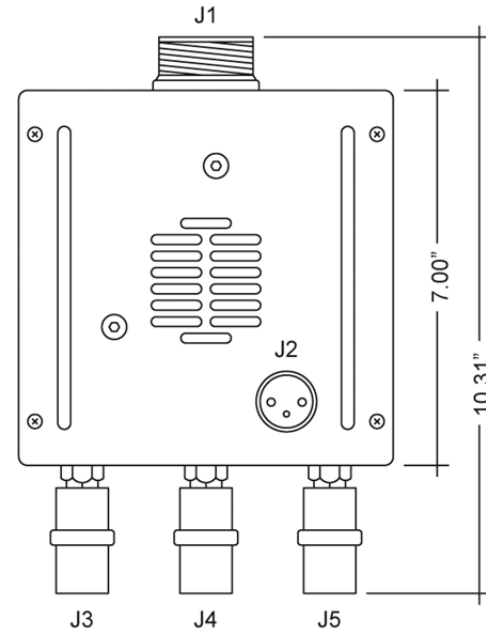
**Model 3120 Bell Box - P/N: 3120 Includes:**

- (3) 2 Pin 4 Contact Male Waterproof Connectors - P/N: 160-0007-01
- (1) MS Connector 20 Pin - P/N: MS-3106E-28-16S

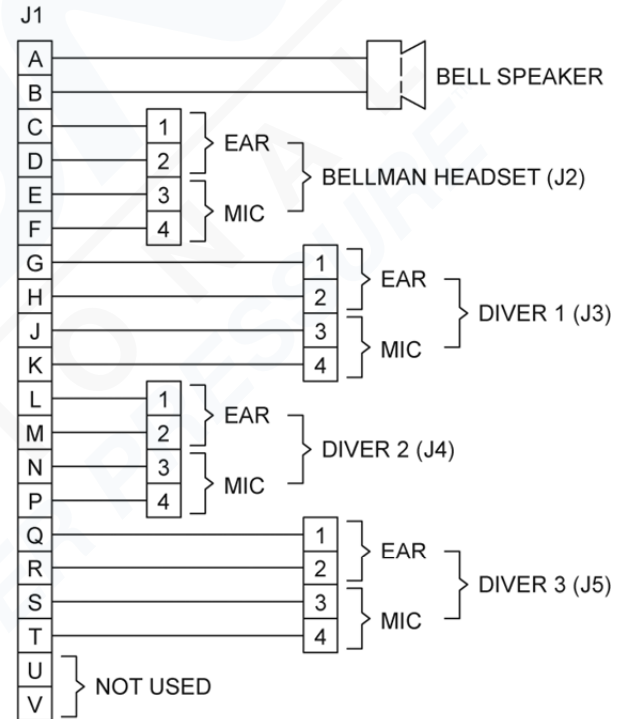
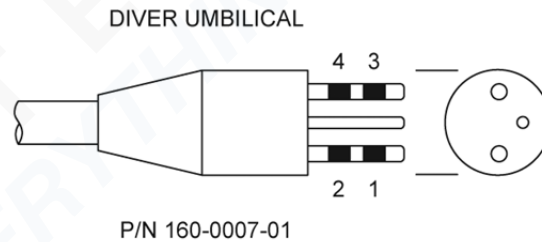


**DISCLAIMER NOTICE:** Amron's chamber communications are designed to be used in air chambers where oxygen concentrations remain below 23.5%. Our communications products (including communicators, speakers, entertainment systems, and other communications accessory items) are NOT designed for oxygen service, are not intrinsically safe, and do not meet the criteria given in NFPA-99, Chapter 20 and other applicable definitions. Misuse of our chamber communicator products in high-concentration Oxygen environments may result in serious injury and/or death.

## 3120 BELL BOX MOUNTING AND ELECTRICAL DIAGRAM



COLOR	PIN	FUNCTION
GREEN	4	MIC
RED	3	MIC
WHITE	2	EAR
BLACK	1	EAR



J1 = P/N MS-3102E-28-16P  
J2, J3, J4, J5 = P/N 160-0008-01

