

## 3114 TALK BACK SPEAKER

### DESCRIPTION

The Amron International Model 3114 Talk Back Speaker is a low cost speaker encased in a die cast housing with a stainless steel front panel.

Low cost speaker. Speaker is 8 Watts, 8 ohm. Frequency range: 250 Hz – 10,000 Hz. Input connections: 3 ft. SJO cable, 18 AWG. Housing is die cast zinc with gray epoxy powder coat with 300 series stainless steel front panel.

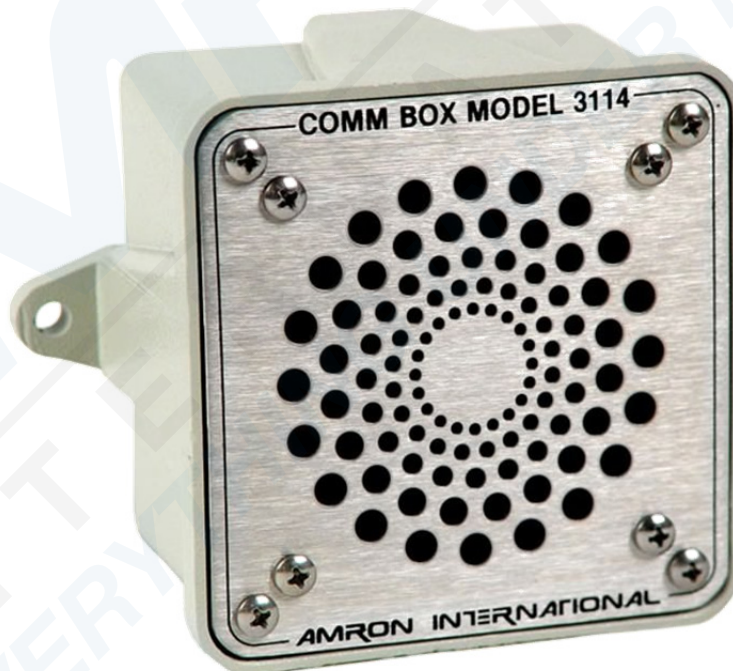
### OVERVIEW

#### Features:

- 3.5" 8 Ohm
- Voice Range: 8 Watts
- Frequency range: 250 Hz – 10,000Hz
- Input connection: 3 feet SJO cable, 18 AWG
- Housing is die cast zinc with gray powder coat with 300 series stainless steel front panel.

#### Dimensions:

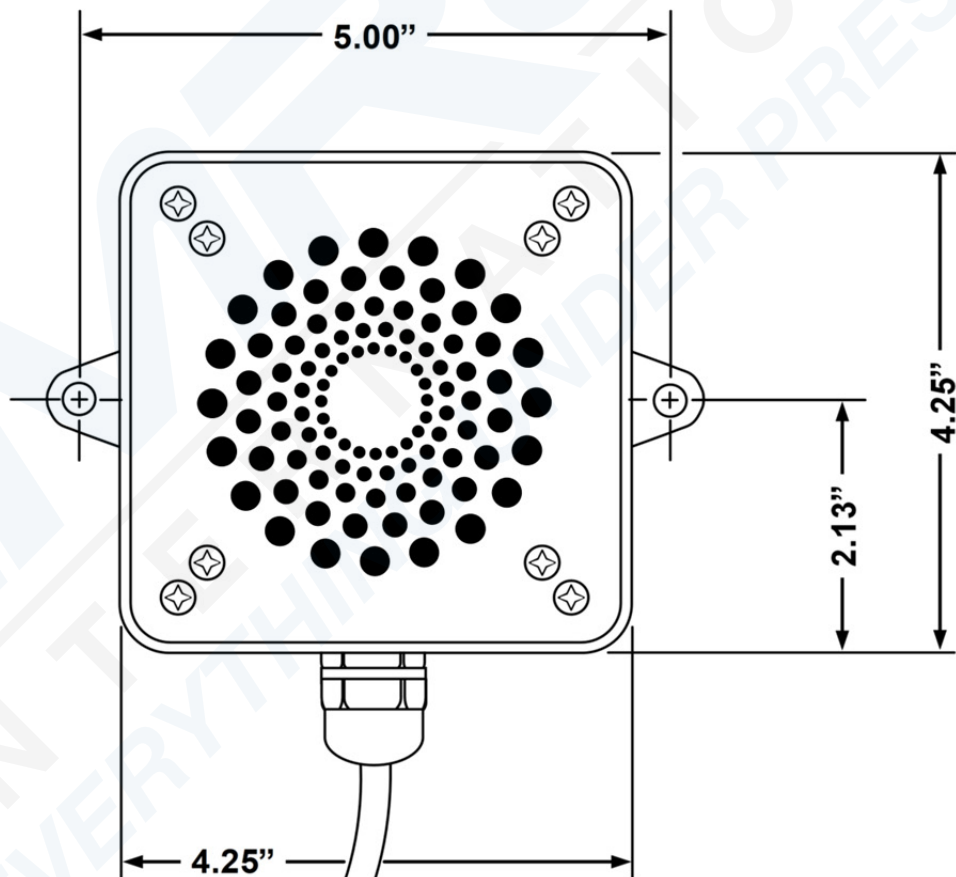
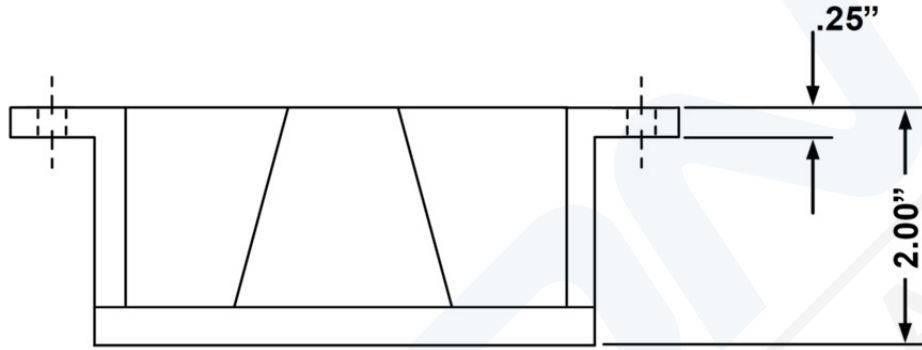
- Height: 4.25 in. (10.8 cm)
- Width: 5.5 in. (14 cm)
- Depth: 2 in. (5.1 cm)
- Weight: 5 lbs. (2.3 kg)



**DISCLAIMER NOTICE:** Amron's chamber communications are designed to be used in air chambers where oxygen concentrations remain below 23.5%. Our communications products (including communicators, speakers, entertainment systems, and other communications accessory items) are NOT designed for oxygen service, are not intrinsically safe, and do not meet the criteria given in NFPA-99, Chapter 20 and other applicable definitions. Misuse of our chamber communicator products in high-concentration Oxygen environments may result in serious injury and/or death.

## 3114 TALK BACK SPEAKER

### MOUNTING DIAGRAM



**CORD LENGTH 3 FT.**