

# 44-1800 Series

## Regulators - Pressure Reducing

D44181678X012

### Specifications

For other materials or modifications, please consult TESCOM.

#### OPERATING PARAMETERS

Pressure rating per criteria of ANSI/ASME B31.3

**Maximum Inlet Pressure**

6000 psig / 414 bar

**Outlet Pressure Range**

0-2500 psig / 0-172 bar

**Design Proof Pressure**

150% maximum rated

**Leakage**

Bubble-tight

**Ambient Operating and Fluid Media Temperature**

-15°F to 165°F / -26°C to 74°C

**Flow Capacity**

**Non-venting:**  $C_v = 0.06$

**Venting:**  $C_v = 0.15$

**Maximum Operating Torque**

25 in-lbs / 2.8 N•m

#### MEDIA CONTACT MATERIALS

**Body**

Brass or 316 Stainless Steel

**Bonnet**

Brass, 300 Series Stainless Steel

**Seat**

Teflon®

**O-Ring**

Viton-A®

**Back-up Ring**

Teflon®

**Remaining Parts**

**Brass Body:** Brass and 300 Series Stainless Steel

**Stainless Body:** 316 Stainless Steel

#### OTHER

**Cleaning**

CGA 4.1 and ASTM G93

**Connections**

1/4" NPTF inlet and outlet, inlet and outlet gauge ports

**Weight (without gauges)**

2 lbs / 0.9 kg

Teflon® and Viton® are registered trademarks of E.I du Pont de Nemours and Company.



TESCOM 44-1800 Series piston sensed pressure reducing regulator is available in Brass or 316 Stainless Steel construction with outlet pressures up to 2500 psig / 172 bar.

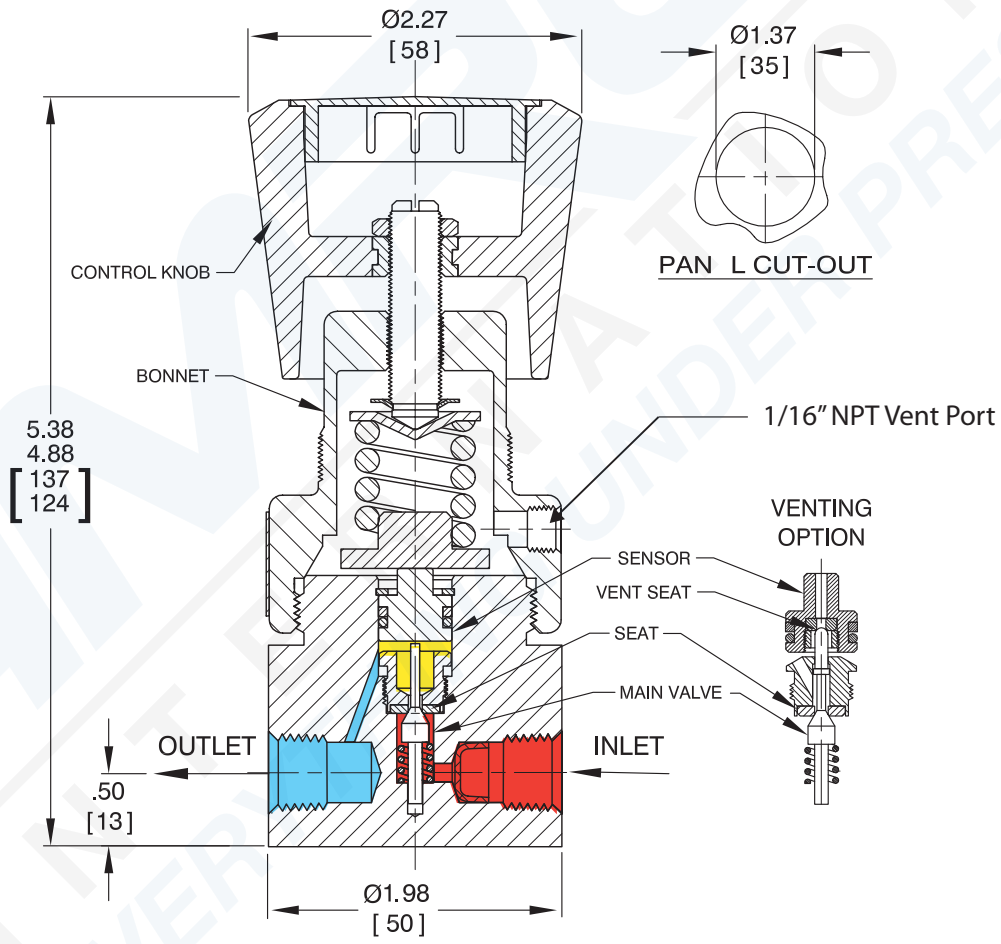
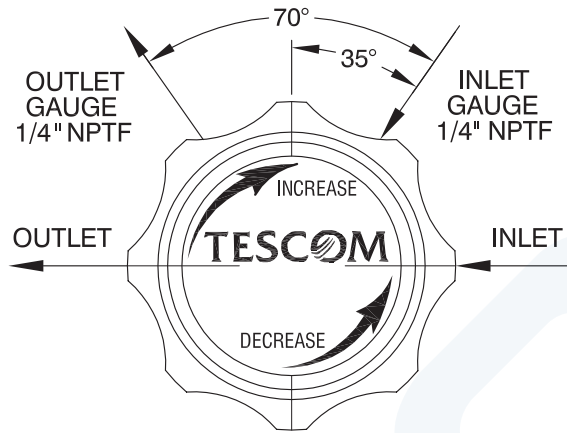
### Applications

- General purpose test stands
- Industrial equipment

### Features and Benefits

- Economical
- Compact design
- Piston sensed design is safe and reliable
- Adjustable stop limits maximum outlet pressure
- Choice of Stainless Steel or Brass construction
- Venting model is available
- Available with a variety of porting and material options

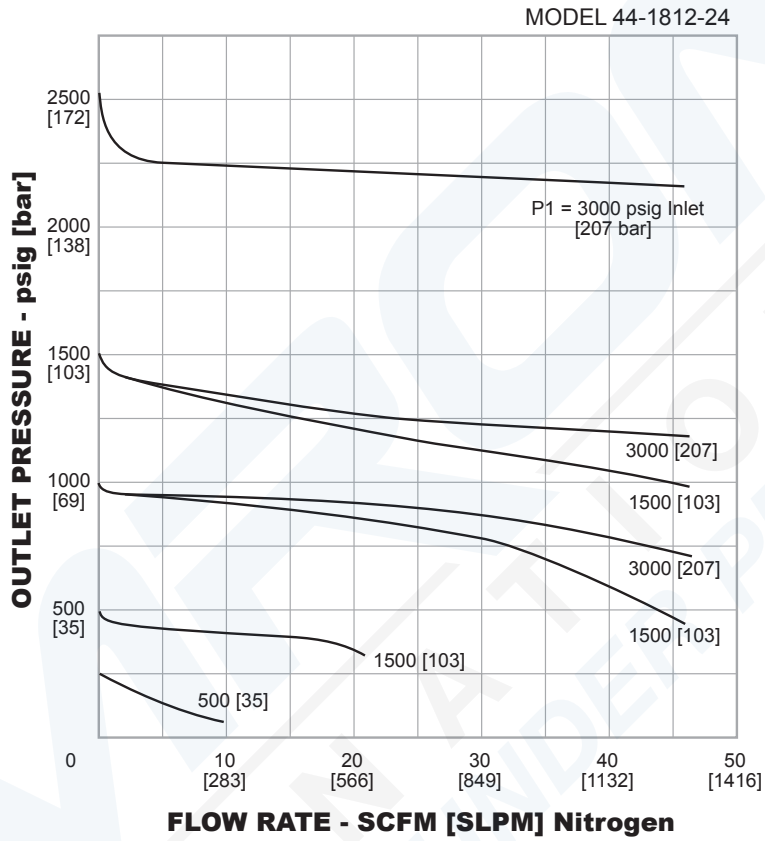
44-1800 Series Regulator Drawing



All dimensions are reference & nominal  
Metric [millimeter] equivalents are in brackets

### 44-1800 Series Regulator Flow Chart

For more information on how to read flow curves, please refer to the Flow Curves and Calculations document (debul2007x012) in the TESCOM catalog or on [www.tescom.com](http://www.tescom.com).



## 44-1800 Series Regulator Part Number Selector

Repair Kits, Accessories & Modifications may be available for this product. Please contact TESCOM for more information.

Example for selecting a part number:

44-18	1	2	-	2	4	V
BASIC SERIES	BODY MATERIAL	OUTLET PRESSURE RANGES		INLET AND OUTLET PORT TYPE	INLET AND OUTLET PORT SIZE	VENTING (OPTIONAL)
44-18	1 – Brass 6 – 316 Stainless Steel 9 – Monel	1 – 0-1500 psig / 0-103 bar 2 – 0-2500 psig / 0-172 bar		2 – NPTF	4 – 1/4"	V – Venting



**WARNING!** Do not attempt to select, install, use or maintain this product until you have read and fully understood the *TESCOM Safety, Installation and Operation Precautions*.

D44181678X012 © 2014 Emerson Process Management Regulator Technologies, Inc. All rights reserved. 09/2014.  
 Tescom, Emerson Process Management, and the Emerson Process Management design are marks of one of the Emerson Process Management group of companies. All other marks are the property of their respective owners.