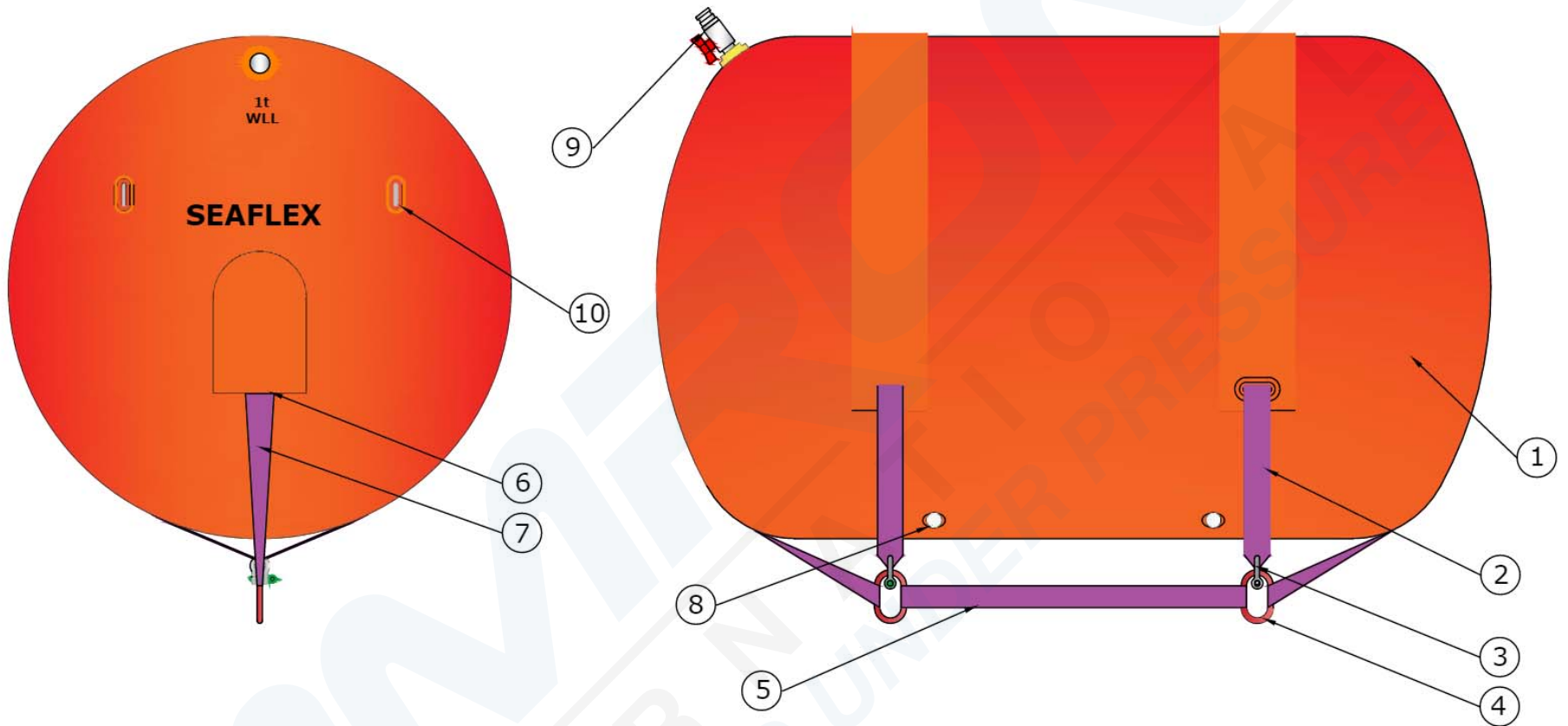


**PRODUCT DETAILS:**

- Max Length Filled** - 1.6m
- Max Diameter Filled** - 1.0m
- Max Height Filled** - 1.2m
- Masterlink Centres** - 0.75m
- Product Weight** - 12kg Approx



MAXIMUM INCLINATION= 20°

**1t Inflatable Buoyancy Unit Component List**

Item Number	Component Title	Component Description	QTY Per Unit
1	Canopy	Heavy Duty PVC coated Polyester Base Cloth	1
2	Main Strop	Polyester Sling Webbing	2
3	Shackles	Galvanised Green Screw Pin Shackles	2
4	Masterlink	Masterlink Assembly	2
5	Centre Link Strop	Polyester Sling Webbing	1
6	Strop bar	Heat Treated Cast Aluminium Strop bar	2
7	End Strop	Polyester Sling Webbing	2
8	PRV	Pressure Relief Valve	2
9	Inflation Port	3/4" Skin Fitting with quarter turn Globe Valve, terminating in 3/4" Camlock	1
10	Rope Handle	Handling Point	4

**For fixing to Pipes, Provide 2 Attachments at Centres Shown**

**IBUs should be used for loads on the surface or seabed; not for lifting upwards through the water column.**

**The Intellectual Property of this drawing belongs wholly to Unique Seaflex Ltd, and may not be copied or republished without permission. Contents are accurate at time of issue, but may be subject to change without notice**

01 13.07.15 Initial Issue Rev Description 001	GJP GJB GSB GSS
<p><b>Unique SEAFLEX</b> A Unique Maritime Group Company</p>	
SEAVIEW ROAD COWES ISLE OF WIGHT ENGLAND PO31 7US  TEL: +44 1983 290 525 www.uniquegroup.com	
DRAWING TITLE 1t Inflatable Buoyancy Unit Specification Sheet	SCALE N.T.S @ A3
PROJECT NUMBER Inflatable Buoyancy Unit (IBU)	DRAWN GJP
DRAWING NO. 1t - IBU - SS	REVISION 01