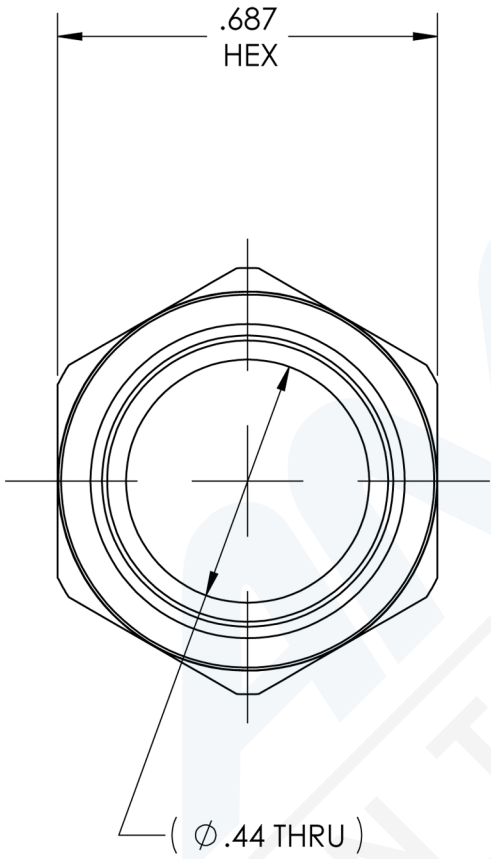


DWG. No./Part No.: N-20					CODE: S	DESCRIPTION: HOSE NUT, CGA-022	MATERIAL: .6875 HEX BRASS	FINISH: BRITE-DIP
REV	ECN	DATE	CHKD	APPVD	<u>TOLERANCES UNLESS SPECIFIED:</u> 125 FINISH ALL OVER REMOVE ALL BURRS BREAK ALL CORNERS .015/.005 DECIMAL .XX +/- .015 .XXX +/- .005 ANGULAR +/- 1 CONCENTRICITY .007 TIR		<u>NOTICE:</u> THE DATA IN THIS DOCUMENT INCORPORATES PROPRIETARY INFORMATION AND RIGHTS OF CONFIDENCE AND AGREES THAT IT SHALL NOT BE DUPLICATED IN WHOLE OR IN PART, NOR DISCLOSED TO OTHERS WITHOUT THE WRITTEN CONSENT OF	INTERPRET GEOMETRIC TOLERANCING PER: ANSI Y14.5
A	RDRWN	11/21/05	GDG	MRE				DO NOT SCALE



9/16-18 RH UNF
CGA - E1
CONN - 022

