

DWG. No./Part No.:

NP-6

CODE: DESCRIPTION:

S

HOSE NIPPLE, CGA-022 & 023 to 3/16" ID HOSE

MATERIAL:

.5000 RD BRASS

FINISH:

BRITE-DIP

REV	ECN	DATE	CHKD	APPVD
A	REDRAWN	09/21/06	GDG	MRE

TOLERANCES UNLESS SPECIFIED:

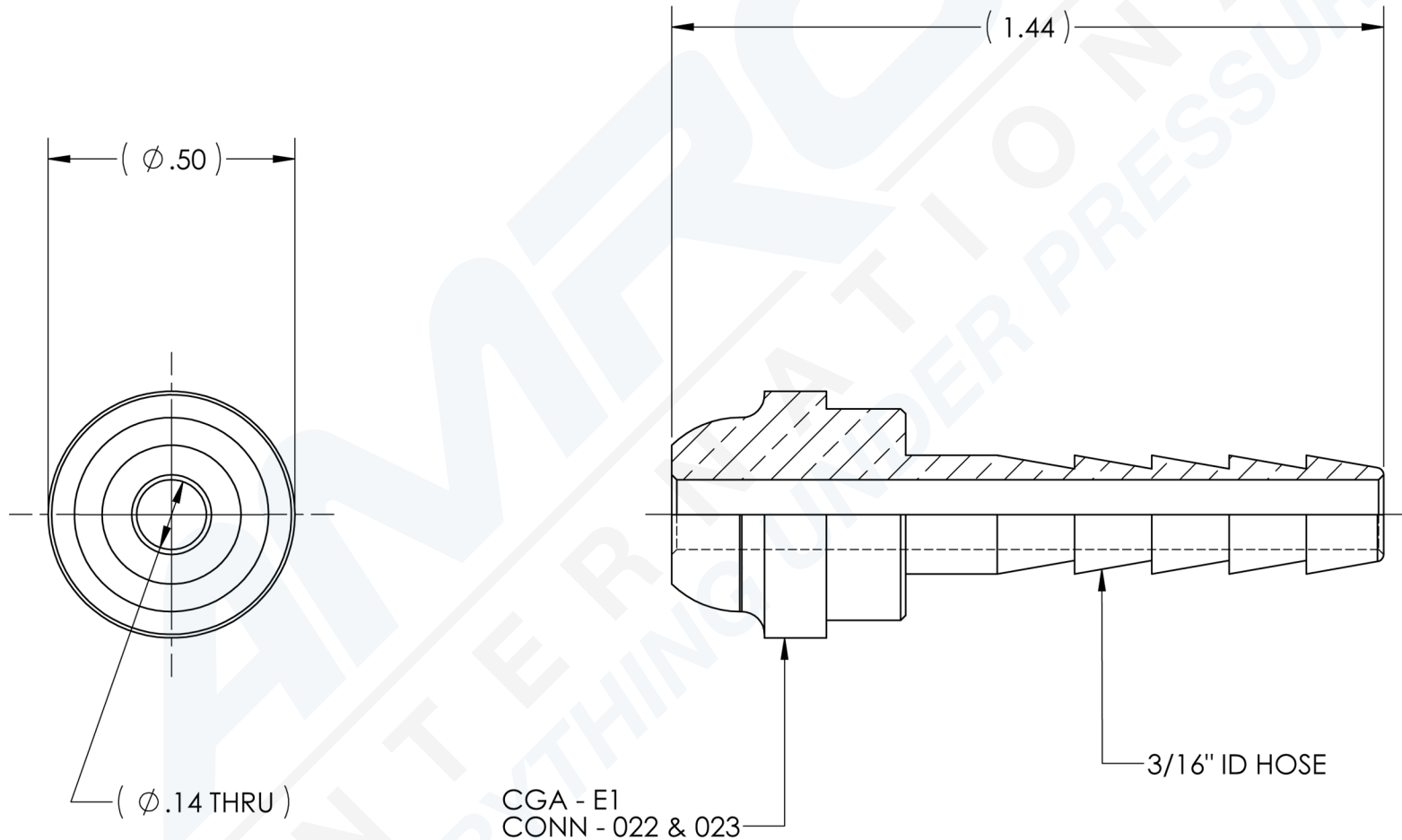
125 FINISH ALL OVER
 REMOVE ALL BURRS
 BREAK ALL CORNERS .015/.005
 DECIMAL .XX +/- .015
 .XXX +/- .005
 ANGULAR +/- 1
 CONCENTRICITY .007 TIR

NOTICE:

THE DATA IN THIS DOCUMENT INCORPORATES
 PROPRIETARY INFORMATION AND RIGHTS OF
 CONFIDENCE AND
 AGREES THAT IT SHALL NOT BE DUPLICATED IN
 WHOLE OR IN PART, NOR DISCLOSED TO OTHERS
 WITHOUT THE WRITTEN CONSENT OF

INTERPRET GEOMETRIC
 TOLERANCING PER: ANSI Y14.5

DO NOT SCALE



CGA - E1
 CONN - 022 & 023

3/16" ID HOSE