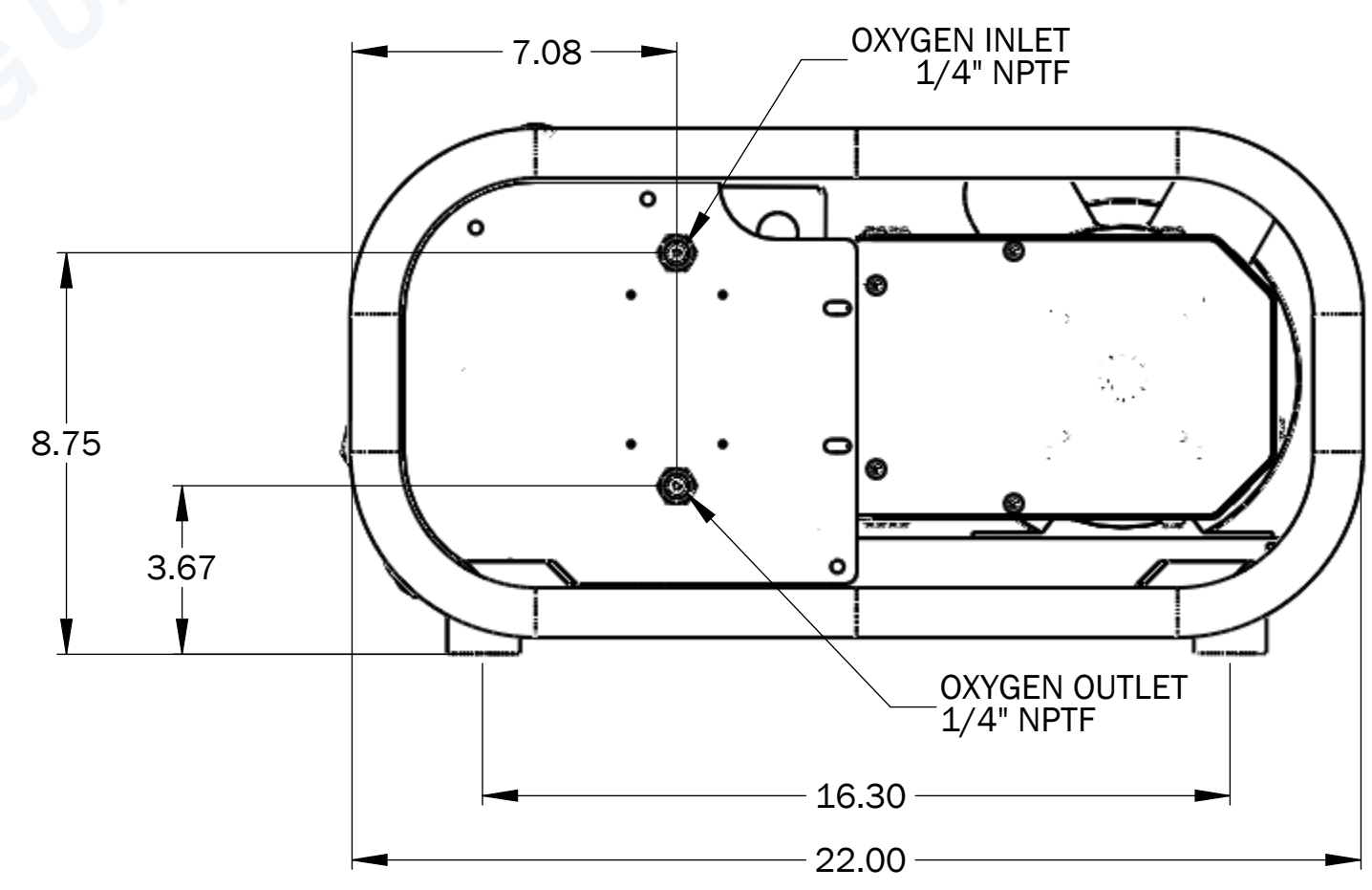
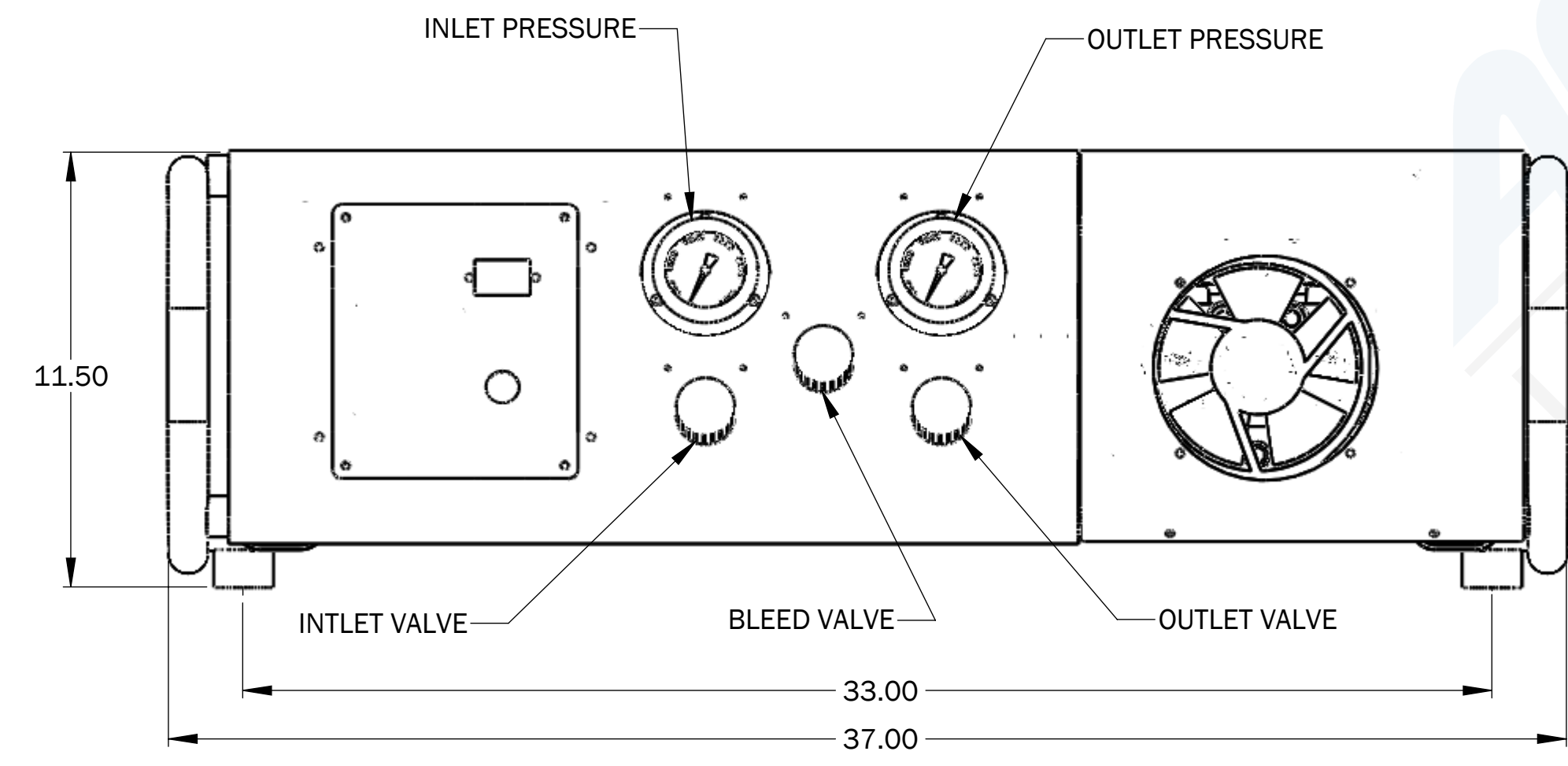
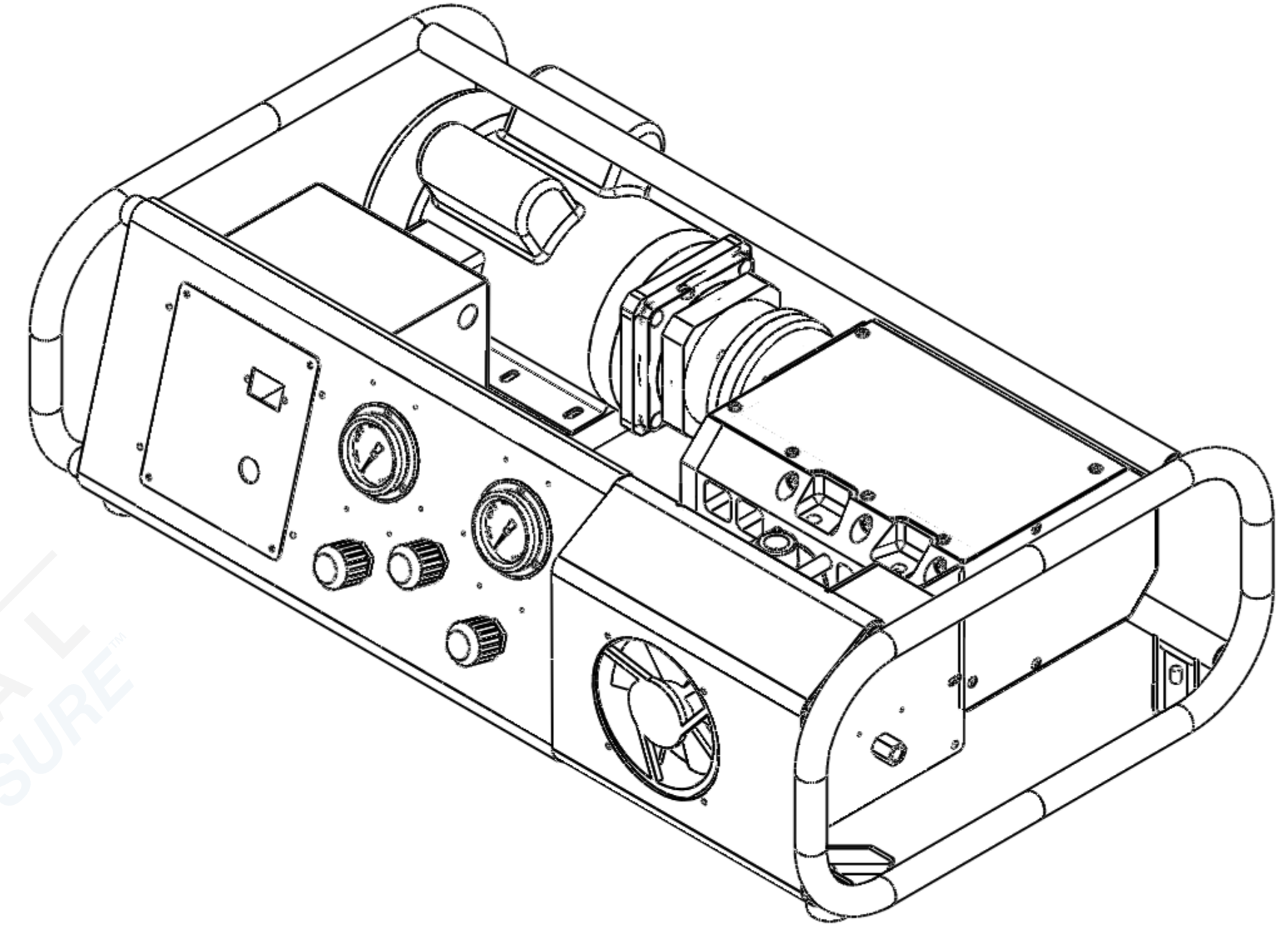
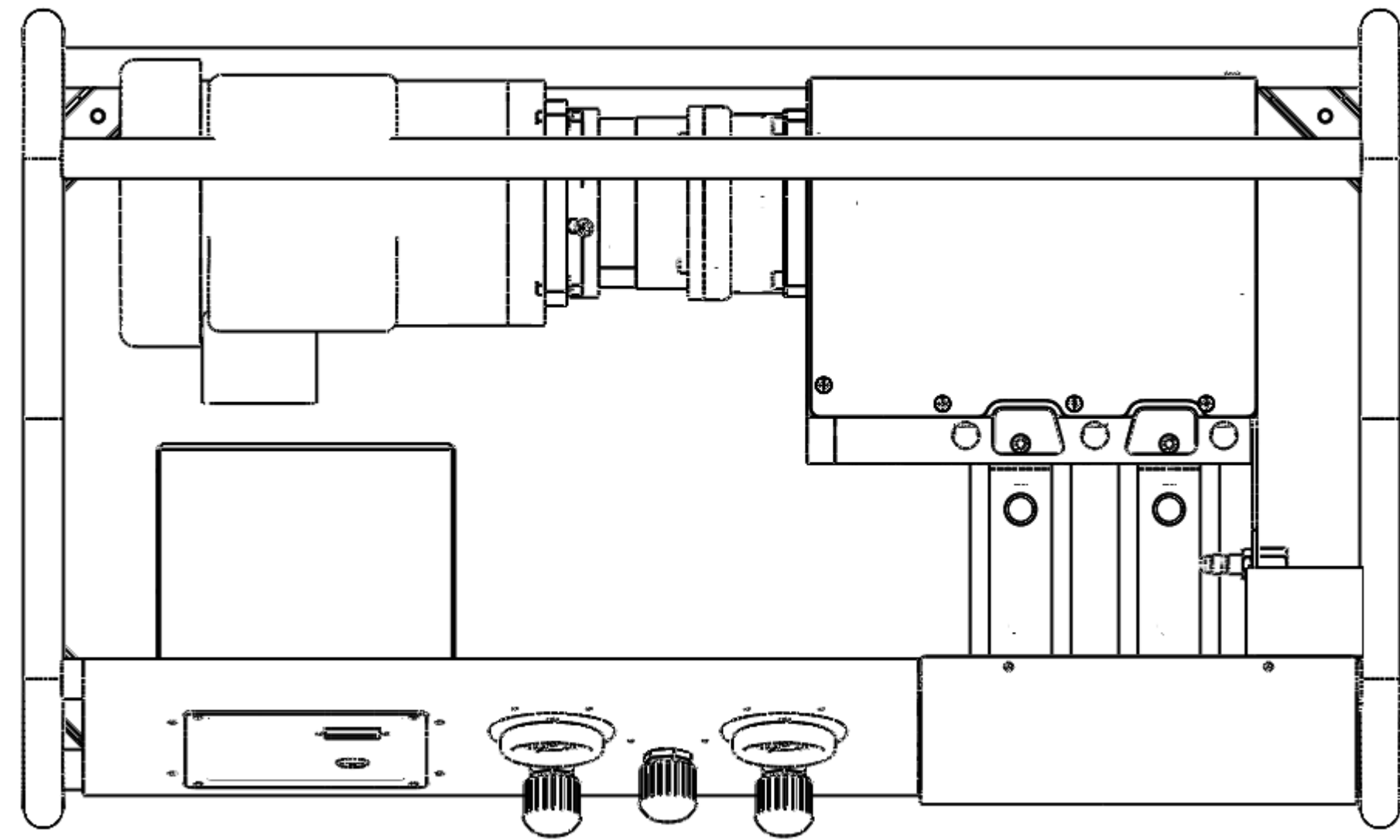


THIS DOCUMENT CONTAINS INFORMATION PROPRIETARY TO HYDRAULICS INTERNATIONAL, INC. TRANSMITTAL, REPRODUCTION OR DISCLOSURE IS PROHIBITED WITHOUT EXPRESS PERMISSION OF HYDRAULICS INTERNATIONAL, INC.

REVISIONS			
REV.	DESCRIPTION	DATE	APPROVED



PROTOTYPE 1
 DATE: 12/11/2012

NOTES:
 1. ELECTRIC BOOSTER FOR OXYGEN SERVICE

UNLESS OTHERWISE SPECIFIED DIMS ARE IN INCHES. TOLERANCES: FRACTION: ±1/16 DECIMALS .XX: ±.03 DECIMALS .XXX: ±.010 ANGLES: ±2°		CONTACT NO:	HYDRAULICS INTERNATIONAL, INC. CHATSWORTH, CALIFORNIA	
APPROVALS		DATE	ELECTRIC GAS BOOSTER DIMENSIONS	
DRAWN: A.G.		11-11		
CHECKED:			SIZE: D	FSCM NO: 56529
ISSUED:			DRAWING NO: 112280-100	REV: 1
APPLICATION	DO NOT SCALE DRAWING	ENGR: A.G.	SCALE: 1:4	WEIGHT: 252.87
		11-11	SHEET: 1 OF 1	