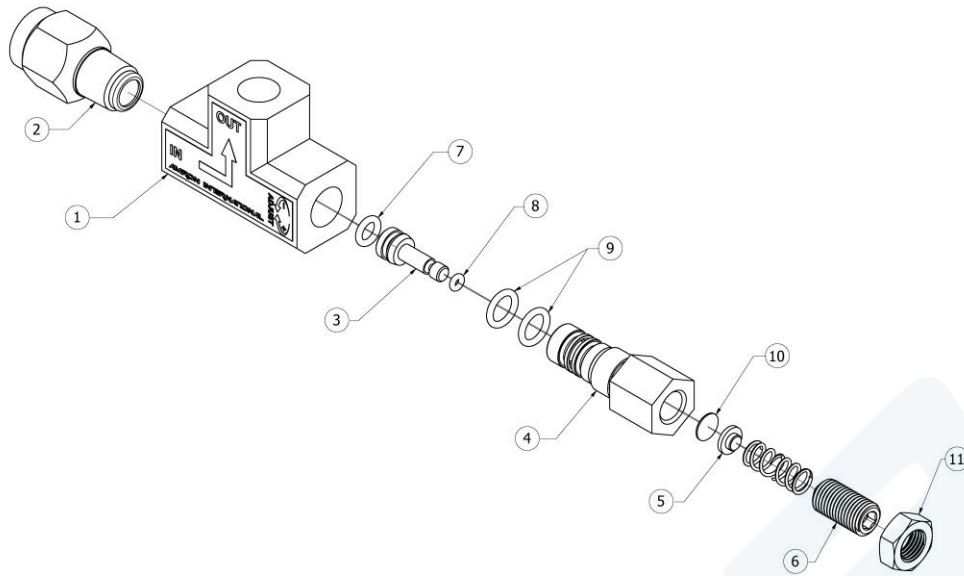


AVL-BA (ANGLE) SERIES

Instruction Manual
for
Amron International, Inc.

**MODEL ALV
AMRON PRESSURE LIMITING VALVE**



Ref	Part #	Description
1	340-0028-01	Valve Body
2	550-0011-01	Snubber
3	340-0035-01	Floating Stem
4	340-0034-01	Valve Stem
5	340-0032-01	Spring Mount
6	340-0031-01	Adjust Thread
7	220-0034-01	O-ring
8	220-0035-01	O-ring
9	220-0036-01	O-ring
10	220-0033-01	Disk
11	320-0031-01	Nut



PART #

10-150 PSI.....ALV-BA-10-150
150-500 PSI.....ALV-BA-150-500
500-1000 PSI.....ALV-BA-500-1000

SPRING KITS

10-150 PSI.....ALV-SPK-10-150
150-500 PSI.....ALV-SPK-150-500
500-1000 PSI.....ALV-SPK-500-1000



1380 Aspen Way, Vista California 92081-8349
United States of America
Phone: (760) 208-6500
Fax (760) 599-3857
email: sales@amronintl.com
web: www.amronintl.com

This manual and the information contained herein are provided for use as an operation and maintenance guide. No license or rights to manufacture, reproduce, or sell either the manual or articles described herein are given. Amron International, Inc. reserves the right to change specifications without notice.

Copyright© 2015 Amron International, Inc.

INTRODUCTION

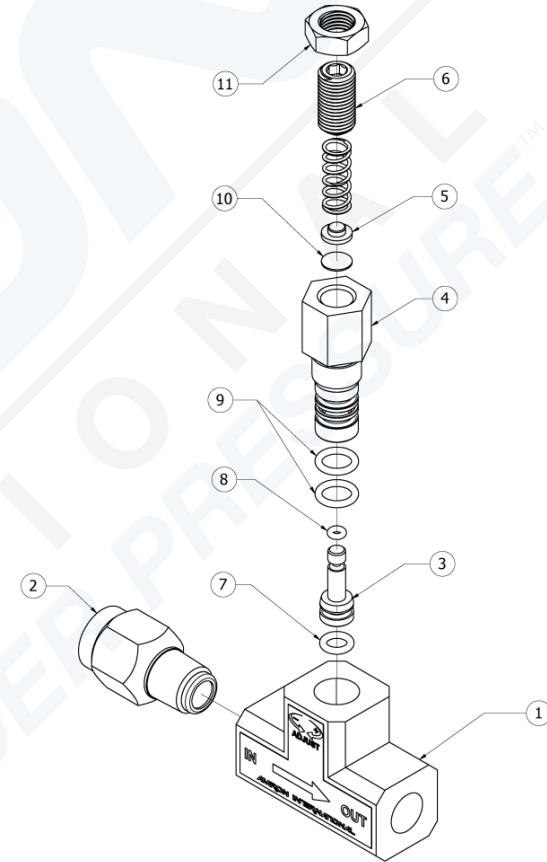
The Amron Pressure Limiting Valve (ALV) is designed to protect sensitive, pneumatic equipment from damage caused by over-pressurization. The ALV is a safety valve that will automatically close when the incoming pressure exceeds the adjustable, pre-set pressure limit and will automatically re-open when the incoming pressure drops back below the adjustable, pre-set pressure limit. The ALV comes in two different geometrical configurations to provide users with a more versatile design option than other manufactures provide; an Inline flow series and an Angle flow series. There are 3 different pressure ranges available in each series.

SPECIFICATIONS

Max Inlet Pressure.....	3000 PSI
Outlet Pressure Ranges Available	10-150 PSI
.....	150-500 PSI
.....	500-1000 PSI
Housing Material.....	Brass
O-Ring Material.....	Hydrogenated Nitrile (HNBR)
Customers are responsible for confirming that their medium is compatible with HNBR	
Temperature Ranges.....	-55° to 300° F
Inlet Connection.....	1/4 FNPT
Outlet Connection.....	1/4 FNPT
Adjustment.....	3/16" Allen Wrench
Dimensions (BA Series).....	Height 1-1/2"
.....	Length 4-1/4"
Dimensions (BL Series).....	Height 2-3/4"
.....	Length 3-0"

ASSEMBLY DRAWINGS AND PARTS LISTS

ALV-BL (INLINE) SERIES



Ref	Part #	Description
1	340-0033-01	Valve Body
2	550-0011-01	Snubber
3	340-0035-01	Floating Stem
4	340-0034-01	Valve Stem
5	340-0032-01	Spring Mount

6	340-0031-01	Adjust Thread
7	220-0034-01	O-ring
8	220-0035-01	O-ring
9	220-0036-01	O-ring
10	220-0033-01	Disk
11	320-0031-01	Nut

PART

10-150 PSI.....	ALV-BL-10-150
150-500 PSI.....	ALV-BL-150-500
500-1000 PSI.....	ALV-BL-500-1000