

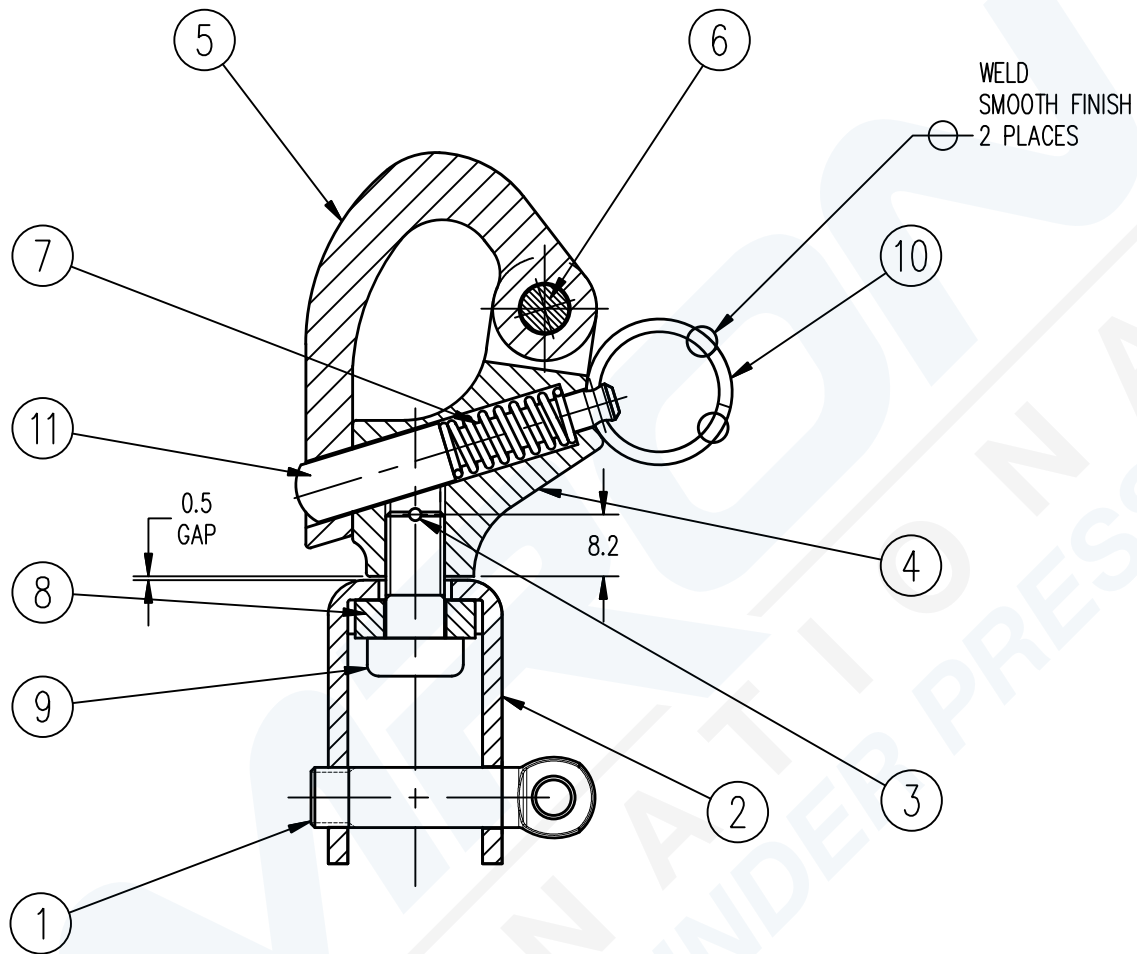
DO NOT SCALE

IF IN DOUBT - ASK

GROUP TYPE --

PART No RF6230A

SHEET 1 OF 1  
File name : --



**NOTE:**

1. TIG WELD AROUND THE PIN (5340) TO THE BODY (S001).
2. TIG WELD THE SPLIT RING (ITEM 10) IN 2 PLACES. REFER MASTER SAMPLE.
3. REFER TO BOM AND ROUTE ON AXAPTA OR MASTER SAMPLE FOR PACKAGING INFORMATION.

11	PLUNGER PIN	1	8524
10	SPLIT RING SS	1	6918
9	BOLT	1	S040
8	PLAIN WASHER BRS	1	S039
7	SPRING	1	S035
6	HINGE PIN	1	8649
5	HOOK	1	S002
4	BODY	1	S001
3	PIN SS	1	5340
2	SWIVEL SS	1	96
1	SHACKLE PIN, CROSS HOLE	1	7707
ITEM	DESCRIPTION	QTY	PART No

1	RELEASED FOR PRODUCTION		19.09.14
ISS	REVISION	C.N	DATE
FINISH	HAND POLISH	INIT.	DATE
	--	DRAWN	DBJ 19.09.14
TOLERANCES (unless otherwise specified)		CHECKED	CA 19.09.14
GENERAL ±0.2 ANGULAR ±1/2°		SCALE	1:1

THE DOCUMENT & THE DESIGN ON IT IS THE EXCLUSIVE PROPERTY OF RONSTAN INTERNATIONAL PTY. LTD. & IS THE SUBJECT OF COPYRIGHT.



www.ronstan.com

DRAWN TO AS1100  
ALL DIMENSIONS IN MILLIMETRES

TITLE  
**SNAPSHCKL FORK BAIL 95mm, LOCK PIN** **A4**