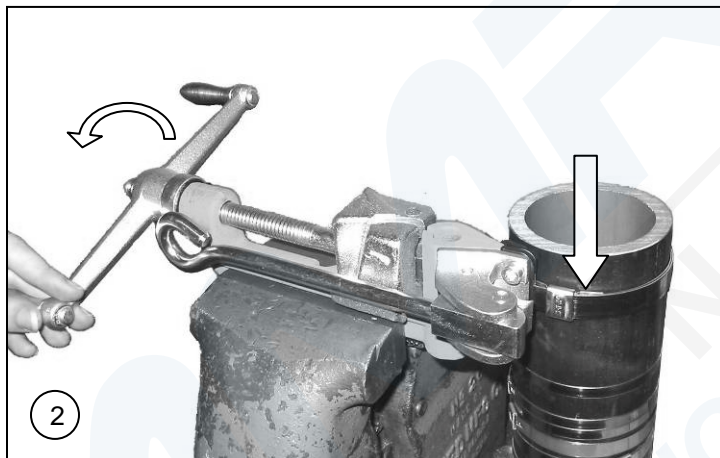


To Install a BAND-IT Junior Clamp:

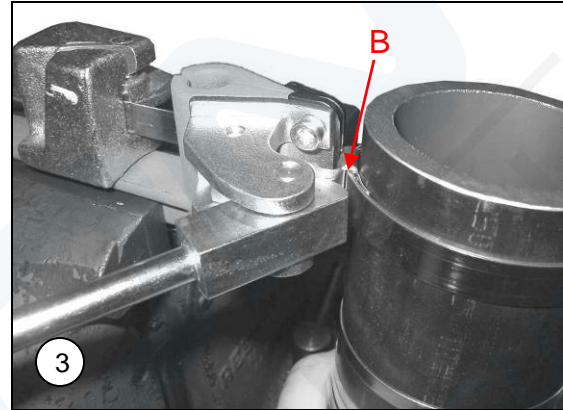


Place BAND-IT tool in vise. BAND-IT JR Adapter installs over nose of tool. Insert BAND-IT Junior or Junior SID Clamp in Tool and grip end of band by Band Gripper Lever contained in the slide block assembly of BAND-IT tool.

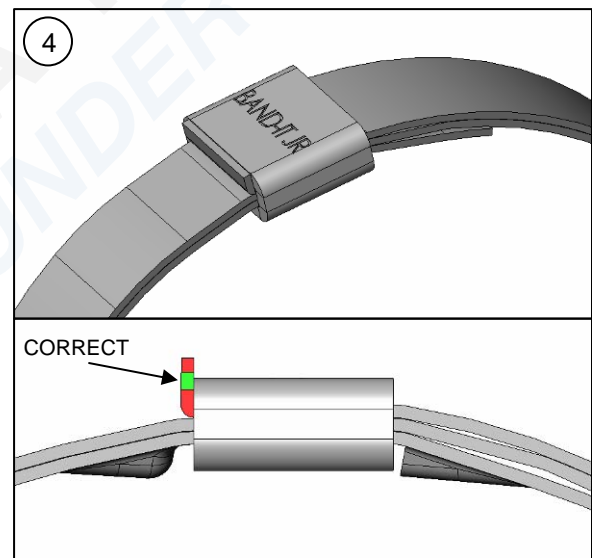


Install clamp over hose assembly. Tension clamp by turning the handle of BAND-IT Tool clockwise. To feel movement of band, place finger on BAND-IT BAND at buckle edge (shown by arrow) while tensioning with tool handle. When you no longer feel band moving through buckle, MAXIMUM PRESSURE HAS BEEN EXERTED BY BAND-IT BAND.

NOTE: USE OF VISE IS OPTIONAL FOR BAND WIDTHS OF 1/2" OR LESS. WE STRONGLY SUGGEST SECURING THE TOOL IN A VISE FOR CLAMPS WIDER THAN 1/2".



A. Roll hose over approximately 30°, BACKING OFF TENSION HANDLE 1/2 to 1 turn only through course of rollover, depending on type and size of hose.
B. Grip buckle with hook in nose by pushing cutter handle. Push cutter handle farther to cut the band completing BAND-IT JR. Clamp.

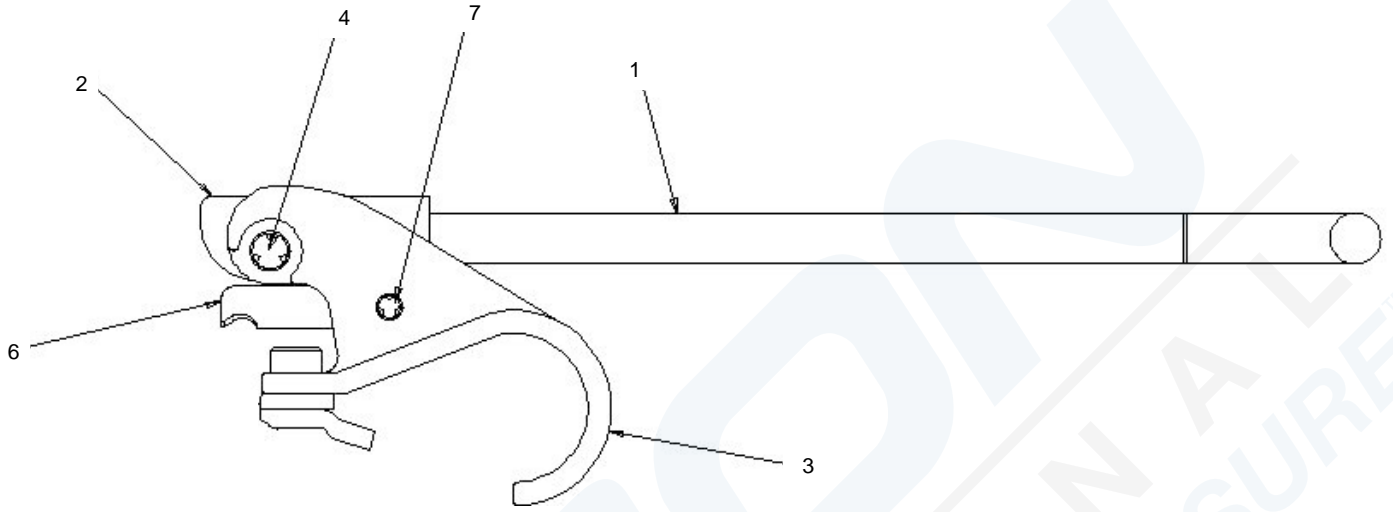


The finished BAND-IT JR. Smooth I.D. Clamp. Lip lock will be bent upward 90° and have a cut-off edge (shown in green) that is flush to the edge of the buckle. Edges shown in red are too high or too low and may result in lower lock strength or sharp edges.

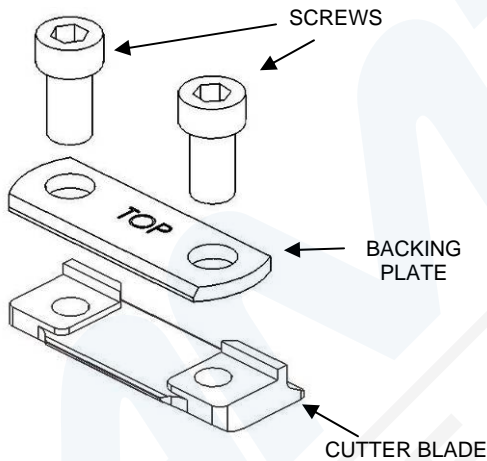
Repair Parts & Assembly



J00169 JR. Tool Adapter



ITEM 5: J93099 CUTTER BLADE KIT



*NOTE: Replacement cutter blade kit design may vary. Replace all parts as a kit.

J001 JR. ADAPTER REPAIR PARTS LIST

BAND-IT PART #	ITEM #	DESCRIPTION
J01499	1	HANDLE
	2	CAM
J02299	3	BODY
	4	PIVOT CAM PIN
J93099*	5	SCREW, SPECIAL
		CUTTER BLADE
		BACKING PLATE
		HEX KEY, SPECIAL
J00587	6	SHEAR HOOK
J00987	7	PIN, PIVOT HOOK

Refer to website for warranty information: <http://www.band-it-idex.com/warranty.html>