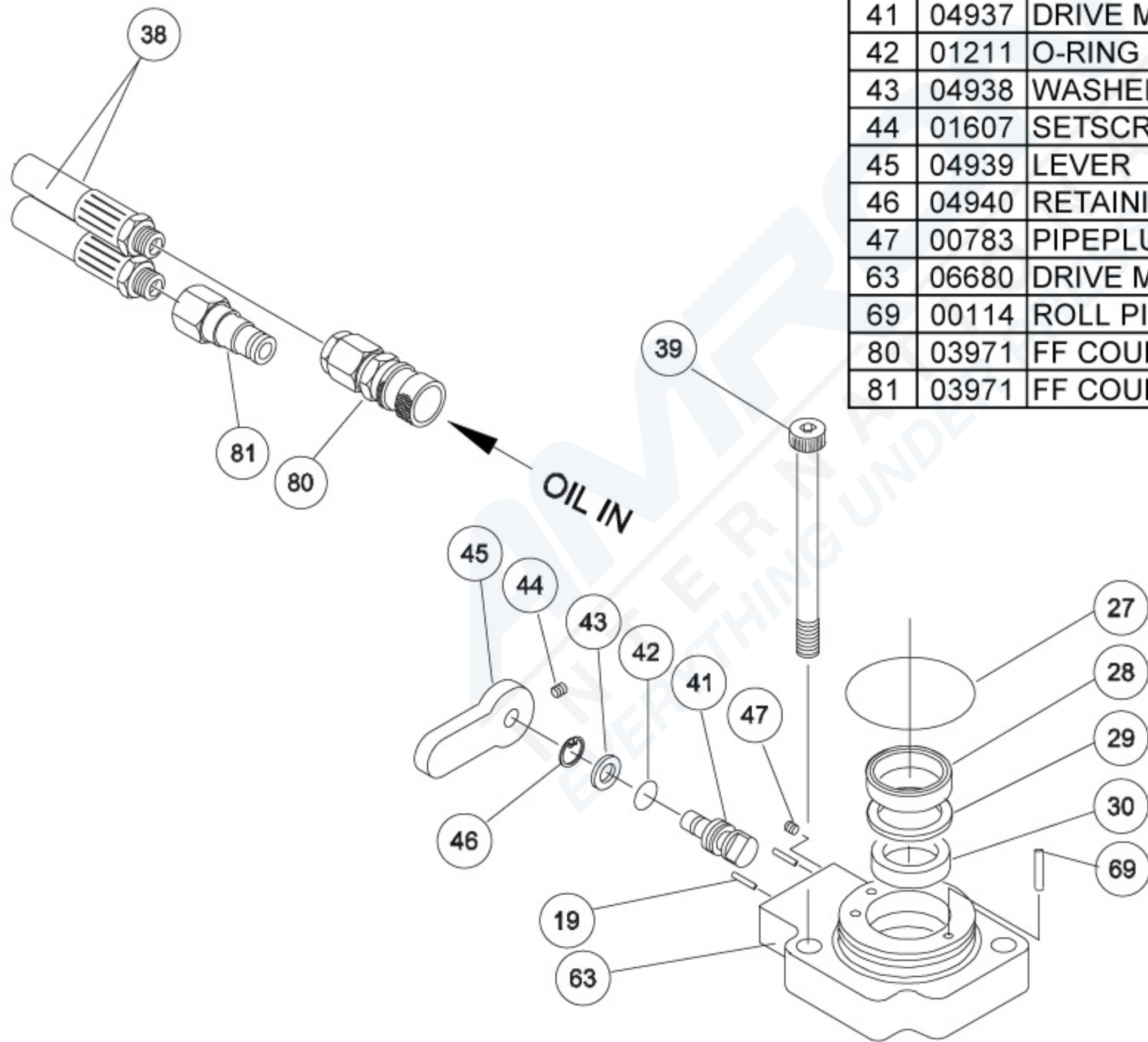


| No. | Part # | Description |
|-----|--------|--------------------------------|
| 7 | 04932 | SIDE ROD |
| 34 | 00682 | HSHCS 3/8-16UNCx1-3/4 GR8 PLN |
| 36 | 11197 | BACK-UP RING #MS27595-325 |
| 47 | 00783 | PIPEPLUG 1/16-27x.2425NPT FSHH |
| 48 | 03826 | BEARING 13DU12 |
| 49 | 04033 | IDLER GEAR |
| 50 | 00713 | DOWEL PIN |
| 51 | 04942 | MOTOR PLATE |
| 52 | 01257 | O-RING 2-043 R16 70D BUNA |
| 53 | 11196 | QUAD RING Q-4325-366Y |
| 54 | 06678 | DRIVE HEX 3/4 |
| 55 | 04787 | WOODRUFF KEY STD NO 607 |
| 56 | 05976 | MOTOR CHAMBER |
| 57 | 05975 | DRIVE GEAR |
| 58 | 04947 | BEARING GARLOCK 28DU16 |
| 59 | 04948 | THRUST WASHER |
| 60 | 04949 | THRUST BACKUP WASHER |
| 61 | 04950 | GASKET |
| 62 | 04759 | SPRING BACK-UP |
| 64 | 16445 | LATCH |
| 65 | 07063 | WAVE SPRING |
| 66 | 04756 | LATCH WASHER |
| 68 | 01749 | ROLL PIN |
| 70 | 00018 | O-RING 2-013 R17 90D BUNA |
| 74 | 28322 | STICKER "CE" 25MM |



| No. | Part # | Description |
|-----|--------|--------------------------------|
| 19 | 02900 | ROLL PIN |
| 27 | 02022 | O-RING 2-228 R16 70D BUNA |
| 28 | 04386 | CUP SEAL |
| 29 | 04780 | BACK UP WASHER |
| 30 | 04934 | CUP SEAL |
| 38 | 01652 | PIGTAIL HOSE ASSEMBLY 12 INCH |
| 39 | 04936 | HSHCS 1/2-13UNCx4-1/2 |
| 41 | 04937 | DRIVE MOTOR CONTROL VALVE |
| 42 | 01211 | O-RING 2-016 R16 70D BUNA |
| 43 | 04938 | WASHER |
| 44 | 01607 | SETSCREW 1/4-20x1/4 CUP PT HS |
| 45 | 04939 | LEVER |
| 46 | 04940 | RETAINING RING 1 3/16 INT |
| 47 | 00783 | PIPEPLUG 1/16-27x.2425NPT FHS |
| 63 | 06680 | DRIVE MOTOR CONTROL BLOCK ASSY |
| 69 | 00114 | ROLL PIN |
| 80 | 03971 | FF COUPLER SET 3/8 BODY 3/8NPT |
| 81 | 03971 | FF COUPLER SET 3/8 BODY 3/8NPT |