

Avox Series 803600 Inhalator

803600

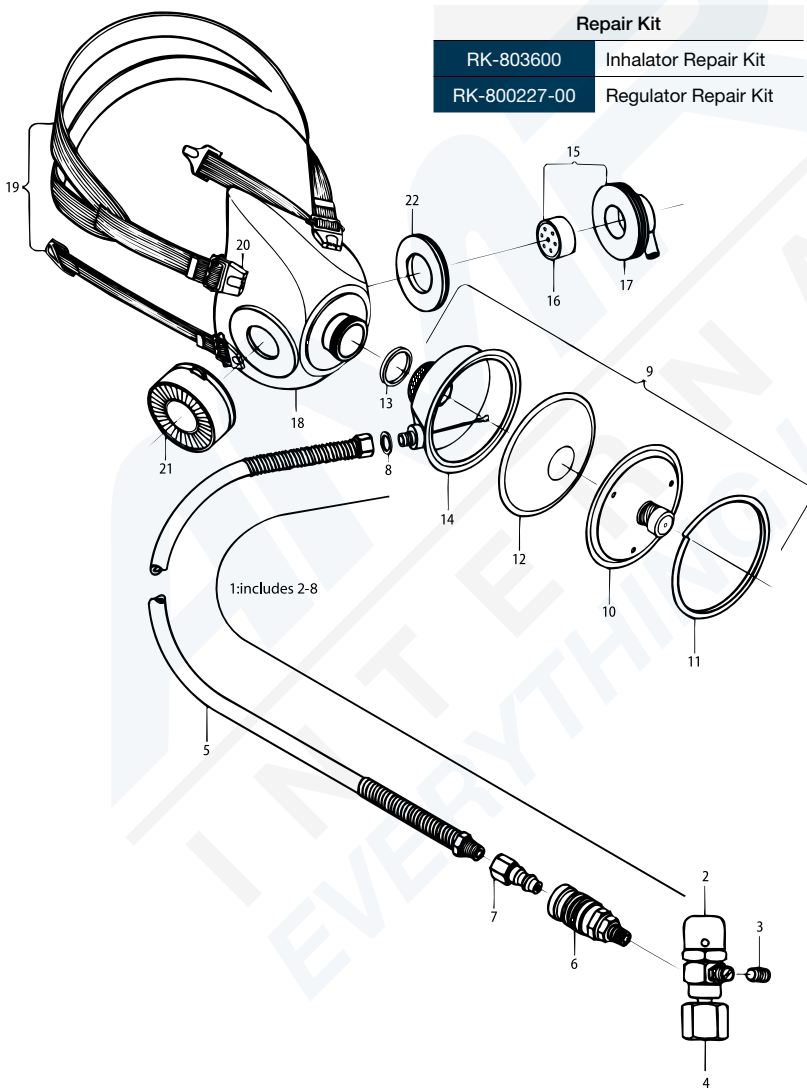
The Avox Series 803600 Inhalator is designed for dry atmosphere decompression in a recompression chamber and other applications where it is desirable to breathe mixtures other than ambient and is not critical if the exhaled gas is vented directly to the chamber atmosphere.

Features

- Optional first stage pressure reducer maintains a constant inlet pressure to the demand regulator above chamber pressure
- Exhalation is vented directly to ambient atmosphere through a mask check valve
- Optional mask-mounted microphone and housing allow communication during use



Part No.	Faceseal with Straps	Demand Regulator	8 ft. Hose Assembly	Hose Male Plug	Quick Disconnect	1st Stage Regulator	Microphone Assembly
803600-00	•	•	•	•	•	•	•
803600-01	•	•	•	•	•	•	
803600-02	•	•	•		•		
803600-03	•	•					
803600-04	•	•	•	•	•		•



Repair Kit	
RK-803600	Inhalator Repair Kit
RK-800227-00	Regulator Repair Kit

Item	Part No.	Description
1	801804-00	1st Stage Regulator Assembly (Includes 2-8)
2	58370-00	Regulator Body Only
3	6818-3	Plug, Regulator
4	8580-00	Coupling, Regulator
5	26037-08	Hose Assembly, 8 ft. (Includes 6, 7 and 8)
6	18969-00	Quick Disconnect
7	18970-00	Hose Plug
8	2827-49	Gasket, Hose
9	800227-00	Demand Regulator Assembly (Includes 10-17)
10	26018-01	Cover, Regulator
11	26010-01	Clamp, Regulator
12	26004-01	Diaphragm
13	2827-08	Gasket, Regulator to Faceseal
14	800228-00	Case Assembly
15	27495-00	Microphone Assembly (Includes 16-17)
16	6232-00	Microphone Only
17	27495-04	Housing, Microphone
18	803677-02	Faceseal with Straps (Includes 19-22)
19	600118-00	Strap Assembly
20	64001-00	Buckle Bar and Clip
21	64152-02	Exhaust Valve Assembly
22	10005711	Plug
	B-60DP	Exhaust Plug

Warning: The Avox BIBS Oxygen Mask is used for surface decompression of persons in a recompression chamber and is not for use underwater.