

# OXYGEN INHALATORS

Avox Pressur-Vak II

803139

The Avox Pressur Vak™II is designed to administer oxygen or gas mixtures to a diver or patient in a hyperbaric chamber environment. The demand regulator assembly provides breathing gas on demand (inhalation). The regulator is designed to operate with a constant inlet pressure of 65 to 125 PSIG over chamber pressure.

## Features

- Quick disconnect face seal allows easy cleaning
- Optional full head harness for added comfort during long administration
- Exhausts exhaled gases over board, permitting minimum ventilation of the chamber
- Demand regulator permits constant flow operation

### Avox Pressur-Vak II

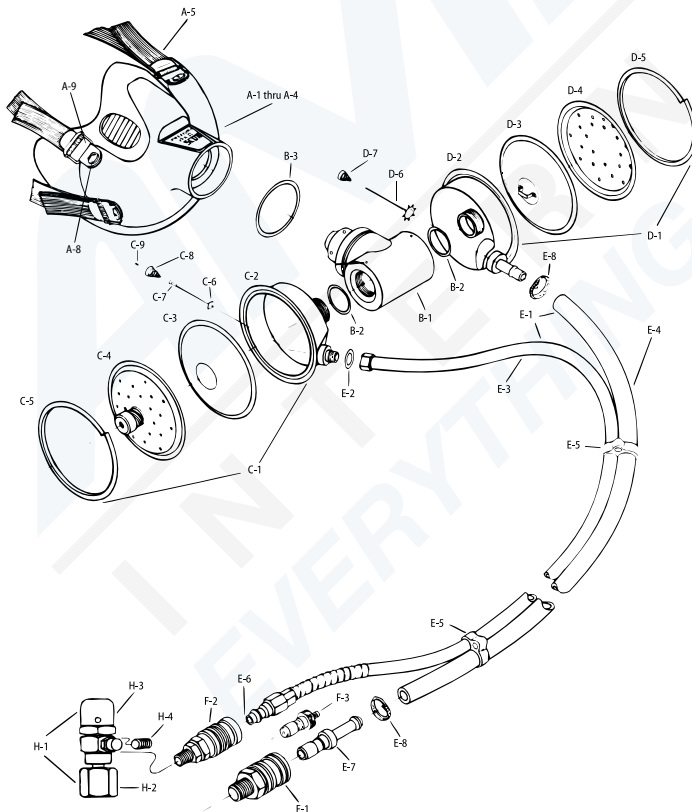
803139-01-05	Pressur Vak II, Extra Small Face Seal
803139-01-01	Pressur Vak II, Small Face Seal
803139-01-02	Pressur Vak II, Medium Face Seal
803139-01-03	Pressur Vak II, Large Face Seal
803139-01-04	Pressur Vak II, Extra Large Face Seal

### Accessories

802005-25	Head Cap/Harness Assembly
803152-(XX)M	Face Seal Assembly with 150ohm Dynamic Mic Assembly
1408	Microphone Only
B-60DP	Exhaust Plug

### Repair Kits

RK-800954-01	Demand Regulator Repair Kit
RK-801274-00	Exhaust Regulator Repair Kit
RK-803139-XX	Inhalator Repair Kit



Item	Part No.	Description
A-1	803152-XX	Face Seal Assembly with Elastic Strap Assembly xx = Size (see previous page for sizes)
A-5	803115-01	Head Strap, Elastic
A-7	00-5401	Screw with O-ring (Inside Face Seal) (4) (Not Shown)
A-8	834-12	Capped T-nut (Outside Face Seal) (4)
A-9	801430-03	Buckle Bar (Face Seal) (4)
B-1	803100-01	Manifold Assembly (Includes B-2 and B-3)
B-2	18062-00	O-ring, Manifold to Regulators (2)
B-3	21506-01	O-ring, Manifold to Face Seal
C-1	800954-01	Demand Regulator Assembly (Includes C-2, C-3, C-4 and C-5)
C-2	800956-01	Case Assembly, (Includes C-6, C-7, C-8 and C-9) Note: C-6 thru C-9 are not available separately as spares
C-3	26004-01	Diaphragm, Demand Regulator
C-4	801276-00	Cover, Demand Regulator
C-5	26010-01	Clamp, Regulator Cover
D-1	801274-00	Exhaust Regulator Assembly (Includes D-2, D-3, D-4, D-5, D-6 and D-7)
D-2	801275-00	Case Assembly, Exhaust Regulator
D-3	801272-00	Diaphragm and Stem Guide Assembly
D-4	10003027	Cover, Exhaust Regulator
D-5	26010-01	Clamp, Regulator Cover
D-6	800963-00	Valve, Exhalation
D-7	13796-00	Spring, Exhalation Valve
E-1	803166-10	Dual Hose Assembly, (Includes E-2, E-3, E-4, E-5, E-6, E-7, F-1 and F-2)
E-2	2827-49	Gasket, Demand Hose
E-3	26037-10	Demand Hose Assembly, (Includes E-2, E-6 and F-2)
E-4	59719-10	Exhaust Hose Assembly, Complete with E-8, F-1 (Includes E-7, E-8 and F-1)
E-5	10002573	Hose Grommet (3)
E-6	18970-00	Hose Plug, Demand Hose
E-7	59852-00	Hose Plug, Exhaust Hose
F-1	59853-00	Quick Disconnect, Exhaust 3/8 in. NPT Brass
F-2	18969-00	Quick Disconnect, Demand 1/8 in. NPT Brass
F-3	B-6QDP	Plug for Exhaust Q.D. (Optional)
H-1	801804-00	Pressure Reducing Regulator Assembly (Includes H-2, H-3 and H-4)
H-2	8580-00	Coupling, Oxygen
H-3	58370-00	Reducing Regulator Only
H-4	6818-3	Plug, 1/8 in. Brass, Reducing Regulator

Warning: The AVOX BIBS is designed for surface decompression in a recompression chamber and is not intended for underwater use. It may also be used for other applications which require overboard discharge of exhaled gas.