

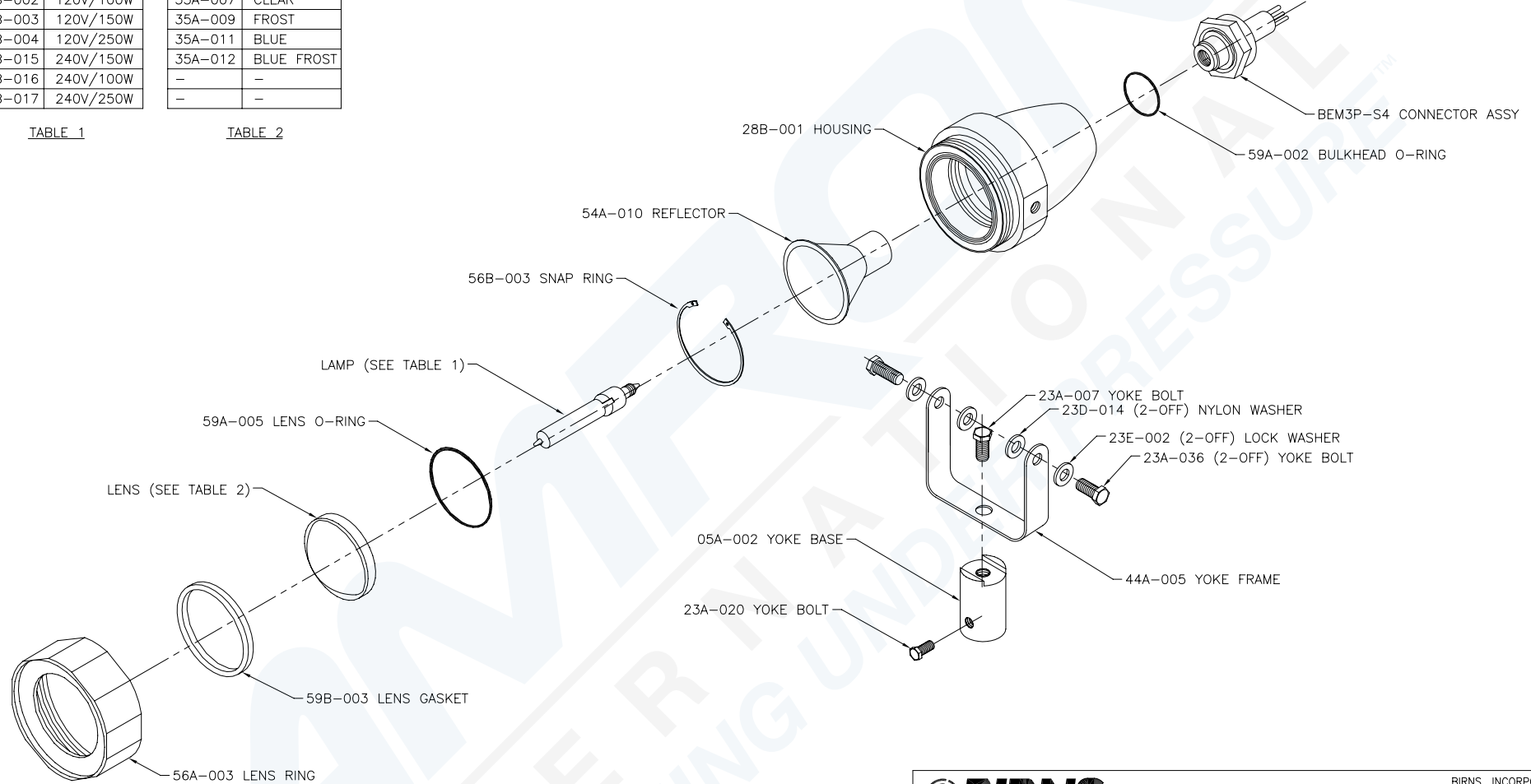
LAMPS AVAILABLE	
32B-002	120V/100W
32B-003	120V/150W
32B-004	120V/250W
32B-015	240V/150W
32B-016	240V/100W
32B-017	240V/250W

LENS AVAILABLE	
35A-007	CLEAR
35A-009	FROST
35A-011	BLUE
35A-012	BLUE FROST
-	-
-	-

TABLE 1

TABLE 2

REV	DESCRIPTION	APPROVED	DATE
B	REDRAWN	E. BIRNS	000419



**NOTICE**  
 This information disclosed herein was originated by and is the property of BIRNS Inc. Except for uses which may be expressly granted, BIRNS Inc. reserves all patent proprietary, design, use, sale, manufacturing and reproduction rights in and to said information and this document.

MATERIAL:	NONE		
FINISH:	NONE		
TREATMENT:	NONE		
		NEXT ASSY	USED ON

**DIMENSIONS IN INCHES (mm) AFTER PLATING**  
 PARTS MUST FIT MATING PARTS AND FUNCTION AS INTENDED.

0.000 = ±.005 FRACTIONS = ±1/16  
 0.000 = ±.005 ANGULAR = ±1/2°  
 0.00 = ±.010 HOLES = +.005-.001  
 0.0 = ±.015 METRIC = EXACT EQUIV.  
 0 = ±.03 SURFACE ROUGHNESS = 63  
 DEBURR SHARP EDGES  
 EDGE, RADII & FILLET = R.01

**BIRNS**

BIRNS, INCORPORATED  
 OXNARD, CA. 93032-0909  
<http://www.birns.com>

CONTRACT NUMBER

TITLE: **XT120-N  
 EXPLODED VIEW**

DRAWN:	FI	000417
CHECK:	L.E.RIOS	000419
QA:	J. MAGLAQUE	000420
ENGR:		
APPROVED:	E. BIRNS	000419

SIZE: **D** CAGE CODE: **58608** DWG NO.: **5651-201**

SCALE: NONE UNIT WT.: SHEET 1 OF 1

DRAWING REFERENCE: 5651-201.DWG