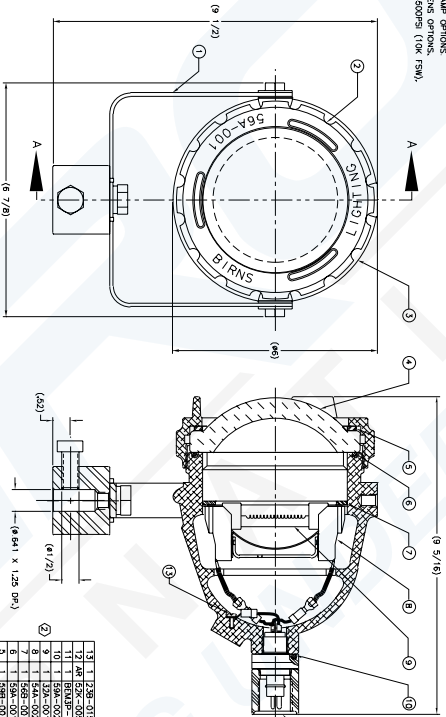


Do not use any other parts than those specified in this drawing. The use of other parts may result in damage to the lamp or the projector. The use of other parts may also result in a voided warranty. The use of other parts may also result in a voided warranty. The use of other parts may also result in a voided warranty.

- NOTES:
 1. APPLY A LIGHT COAT OF ITEM 12 TO O-RINGS PRIOR TO ASSEMBLY.
 2. SEE TABLE 1 FOR LAMP OPTIONS.
 3. SEE TABLE 2 FOR LENS OPTIONS.
 4. PRESSURE RATING: 4800PSI (10K FSW).



SECTION A-A

PART NO.	DESCRIPTION
32A-001	3200K, 120V/1000W
32A-002	3400K, 120V/1000W
32A-005	3250K, 120V/800W
32A-009	2900K, 120V/400W
32A-010	2900K, 120V/300W
32A-016	240V/1000W
32A-015	3200K, 240V/800W
32A-017	240V/600W
32A-018	240V/650W

PART NO.	COLOR
35A-001	CLEAR
35A-002	BLUE
35A-003	FROST
35A-004	BLUE FROST

TABLE 1

TABLE 2



USE THIS CHART TO DETERMINE THE FIELD OF VIEW AND MAGNIFICATION OF THE PROJECTOR. THE FIELD OF VIEW IS THE ANGLE OF THE LIGHT BEAM AS IT LEAVES THE PROJECTOR. THE MAGNIFICATION IS THE RATIO OF THE SIZE OF THE OBJECT TO THE SIZE OF THE IMAGE. THE DISTANCE IS THE LENGTH OF THE OPTICAL AXIS.

ITEM NO.	DESCRIPTION	QTY	UNIT	REMARKS
1	PROJECTOR	1	EA	
2	LAMP	1	EA	
3	LENS	1	EA	
4	REFLECTOR	1	EA	
5	GAS METER	1	EA	
6	LENS	1	EA	
7	LENS	1	EA	
8	LENS	1	EA	
9	LENS	1	EA	
10	LENS	1	EA	
11	LENS	1	EA	

ITEM QTY	PART NO.	DESCRIPTION	MATERIAL	SPEC
13	1	PAIN SLOTT 6-32 X 3/16	SS	18-B
12	AR	52K-005 GREASE	SILICONE	FOOD GR
11	1	BEMAP-C2 CONNECTOR	GRE	100K 1-40
10	1	55A-002 O-RING, 2-21.5	BRUNA	N674-70
9	1	32A-001 LAMP, DIM, 120V/1000W	QUARZ	CONFERBL
8	1	54A-002 REFLECTOR ASSY, SNOOPER	ALUMINIUM	3002, 0
7	1	56B-001 SNAP-RING, N5000-400-H	PHS-7 VA	
6	1	55A-001 O-RING, 2-246	BRUNA	N674-70
5	1	55B-001 LENS GASMET	BRUNA	N674-70
4	1	35A-001 LENS, CLEAR	BROUSLON	CONFERBL
3	1	25A-001 HOUSING, SNOOPER WITHOUT CAP	ALUMINIUM	N5056-16
2	1	56A-001 LENS RING, SNOOPER	ALUMINIUM	N5056-16
1	1	44A-003 YOKE ASSY, SNOOPER/SNOOPERWZ	S.S	304

PARTS LIST



SNOOPER, UNDERWATER LIGHT ASSY

55670110

QTY	LINE	DESCRIPTION	DATE	APPROVED
1	1	PROJECTOR	01/01	J. SMITH
1	2	LAMP	01/01	J. SMITH
1	3	LENS	01/01	J. SMITH
1	4	REFLECTOR	01/01	J. SMITH
1	5	GAS METER	01/01	J. SMITH
1	6	LENS	01/01	J. SMITH
1	7	LENS	01/01	J. SMITH
1	8	LENS	01/01	J. SMITH
1	9	LENS	01/01	J. SMITH
1	10	LENS	01/01	J. SMITH
1	11	LENS	01/01	J. SMITH