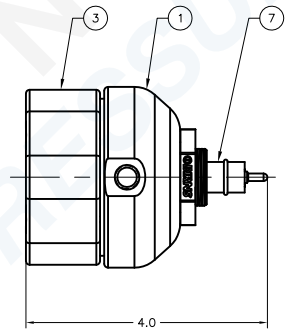
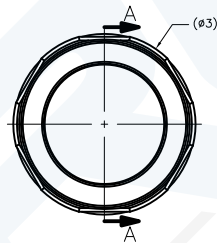
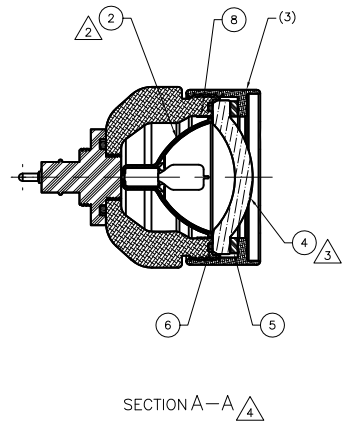


PROG. NO.  
 PRELIMINARY INFORMATION  
 THIS DRAWING IS THE PROPERTY OF BIRNS AND IS LOANED TO YOU FOR YOUR INFORMATION ONLY. IT IS NOT TO BE REPRODUCED, COPIED, OR TRANSMITTED IN ANY FORM OR BY ANY MEANS, ELECTRONIC OR MECHANICAL, INCLUDING PHOTOCOPYING, RECORDING, OR BY ANY INFORMATION STORAGE AND RETRIEVAL SYSTEM, WITHOUT THE WRITTEN PERMISSION OF BIRNS.

REVISIONS				
ZONE	REV	DESCRIPTION	DATE	APPROVED
	A	ADDED ANTI FOAM CUSHION (ITEM #8)	070508	E. BIRNS

- NOTES: UNLESS OTHERWISE SPECIFIED.
1. APPLY A LIGHT COAT OF LUBRICANT TO O-RING(S) PRIOR TO ASSEMBLY.
  2. SEE TABLE 1 FOR LAMP OPTIONS.
  3. SEE TABLE 2 FOR LENS OPTIONS.
  4. SEE TABLE 3 FOR MOUNTING OPTIONS.
  5. SOME HIDDEN LINES OMITTED FOR CLARITY.
  6. SEE SHEET 2 OF 2 FOR DRAWINGS OF DIFFERENT CONFIGURATIONS.



**LAMP OPTIONS**

PART NO.	VOLT/WATT
32C-002	12V/50W
32C-003	12V/100W
32C-004	24V/200W
32C-005	24V/250W
32C-006	30V/80W
32C-007	36V/340W

**TABLE 1**

**LENS OPTIONS**

PART NO.	COLOR
35A-007	CLEAR
35A-009	FROST
35A-011	BLUE
35A-012	BLUE FROST

**TABLE 2**

**MOUNTING OPTIONS**

PART NO.	DESCRIPTION
44A-006	YOKE ASSEMBLY, XT120
44C-003	HELMET BRACKET ASSY.
44B-001	HANDGRIP ASSEMBLY

**TABLE 3**

QTY REQD	CAGE CODE	PART OR IDENTIFYING NO.	NOMENCLATURE OR DESCRIPTION	MATERIAL SPECIFICATION	ZONE	ITEM NO
1		52B-001	ANTI-SHOCK FOAM CUSHION			8
1		BEM2P-S2	SNOOPERETTE LITE CONNECTOR	GRE		7
1		59A-005	O-RING, 2-139	BUNA 70		6
1		59B-003	GASKET	SILICONE COMM'L		5
1		35A-007	LENS, XT120, CLEAR	BOROSILICATE COMM'L		4
1		56A-003	LENS RING, XT120	6061-T6 AL.		3
1		32C-003	MR-16 LAMP, 12V/100W	QUARTZ COMM'L		2
1		28B-020	HOUSING, SNOOPERETTE LITE	6061-T6 AL.		1

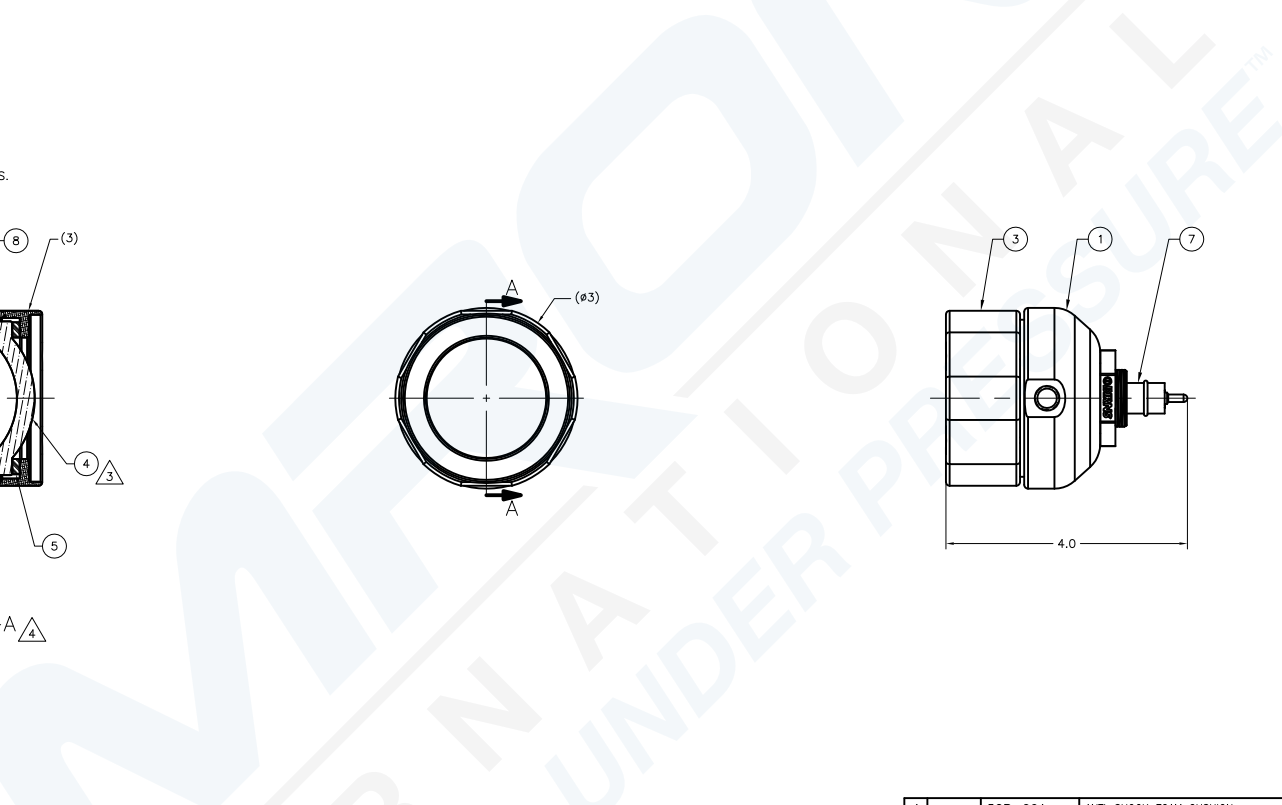
UNLESS OTHERWISE SPECIFIED DIMENSIONS ARE IN INCHES AND PER ASME Y14.5-1994 TOLERANCES ARE: .XX ± .01 .XXX ± .005 .XXXX ± .0005 < .5

CONTRACT: DWG 060503  
 TITLE: SNOOPERETTE 'LITE'

DESIGN: K. WOOD  
 ENGR: J. MAGLAQUE  
 DATE: 070507  
 APPROVED: E. BIRNS

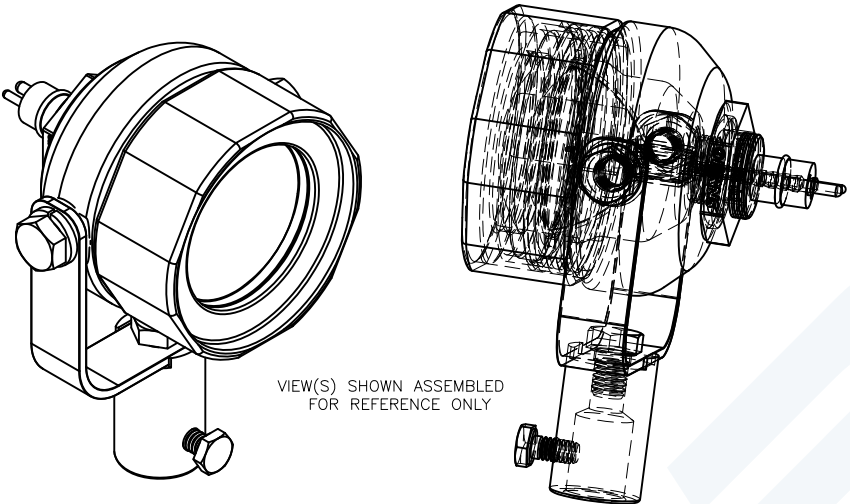
FINISH: 6Y  
 SURFACE ROUGHNESS: .005/.015  
 EDGE BREAK: .005/.015

SIZE: D 158608  
 DWG NO.: 5672-01-10  
 SCALE: 1/1 UNIT WT.: SHEET 1 OF 2



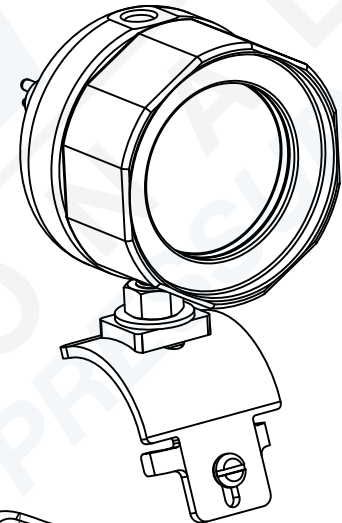
PROG. NO.  
 PRELIMINARY INFORMATION  
 THIS DRAWING IS THE PROPERTY OF BIRNS & PERINI, INC. AND IS NOT TO BE REPRODUCED OR TRANSMITTED IN ANY FORM OR BY ANY MEANS, ELECTRONIC OR MECHANICAL, INCLUDING PHOTOCOPYING, RECORDING, OR BY ANY INFORMATION STORAGE AND RETRIEVAL SYSTEM, WITHOUT THE WRITTEN PERMISSION OF BIRNS & PERINI, INC.

REVISIONS		DATE	APPROVED
ZONE	REV	SEE SHEET 1 FOR REVISIONS	



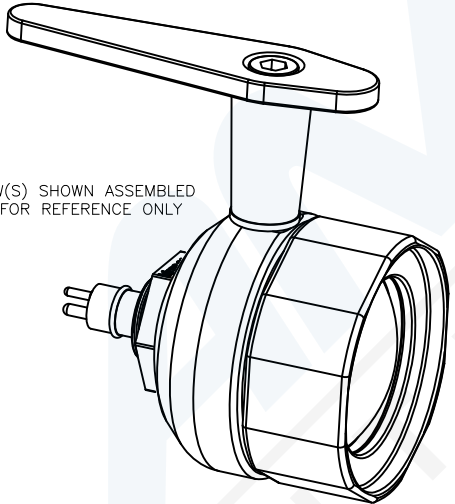
VIEW(S) SHOWN ASSEMBLED FOR REFERENCE ONLY

**MOUNTING OPTION: YOKE ASSEMBLY, XT120**



VIEW(S) SHOWN ASSEMBLED FOR REFERENCE ONLY

**MOUNTING OPTION: HELMET BRACKET ASSEMBLY**



VIEW(S) SHOWN ASSEMBLED FOR REFERENCE ONLY

**MOUNTING OPTION: HANDGRIP ASSEMBLY**

<b>BIRNS</b>		1720 FISKE PLACE, DUNWOOD, CA 93033-1863 U.S.A.	
		TEL: (909) 487-5333 FAX: (909) 487-9427	
		www.birns.com	
TITLE			
SNOOPERETTE 'LITE'			
SIZE	CAGE CODE	DWG NO.	REV
D	58608	5672-01-10	A
SCALE: NON-UNIT WT.:			SHEET 2 OF 2