

## Inner & Outer Ring System

Inner Cuff Rings Part # 960-411

Outer Cuff Rings Part # 960-412

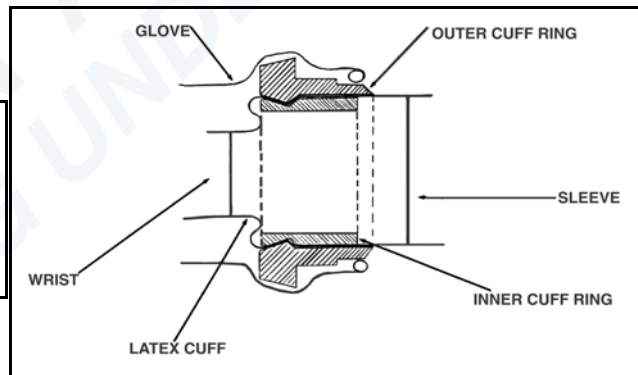
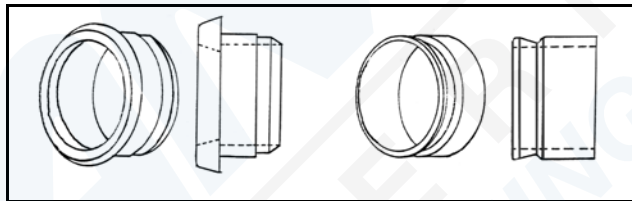
### Description

The Inner & Outer Ring System consists of a pair Latex Gloves with large rolled o-ring at edge of cuff, two plastic molded Inner Cuff Rings with gripper surface and two molded rubber Outer Cuff Rings with an inner ring & glove flanges.

### Procedure for Installing Cuff Rings (Latex Wrist Seal)

The Inner Cuff Rings are placed inside the latex wrist seals at the top of the thickest part of latex wrist seal close to the dry suit sleeve (large groove end, toward wrist) and positioned to the diver's arm length.

The Outer Cuff Rings are placed over the top of the thickest part of latex wrist seal close to the dry suit sleeve and Inner Cuff Ring and locked into place via the flange/groove. After the diver has donned the suit, Latex Gloves are pulled on with the large rolled cuff pulled up and over the Outer Cuff Ring glove flange. For added security, use tape or hose clamps on top of the glove/ring connection.



### Procedure for Installing Cuff Rings (Dry Suit Sleeve)

The inside edge of the Outer Cuff Rings are to be glued to the outside (rubber side) of the dry suit sleeve. Install 1" rubber tape centered over edge of outer cuff ring and rubber sleeve material.

The latex cuff is installed over the Inner Cuff Rings and placed from inside the dry suit through the sleeve opening. (large groove end toward wrist) and locked into place by snapping in the rubber Outer Cuff Ring in the groove of the Inner Cuff Ring. Pull on the cuff firmly and perform a visual inspection to assure that the Cuff Rings are properly installed.